
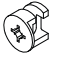



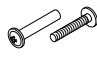


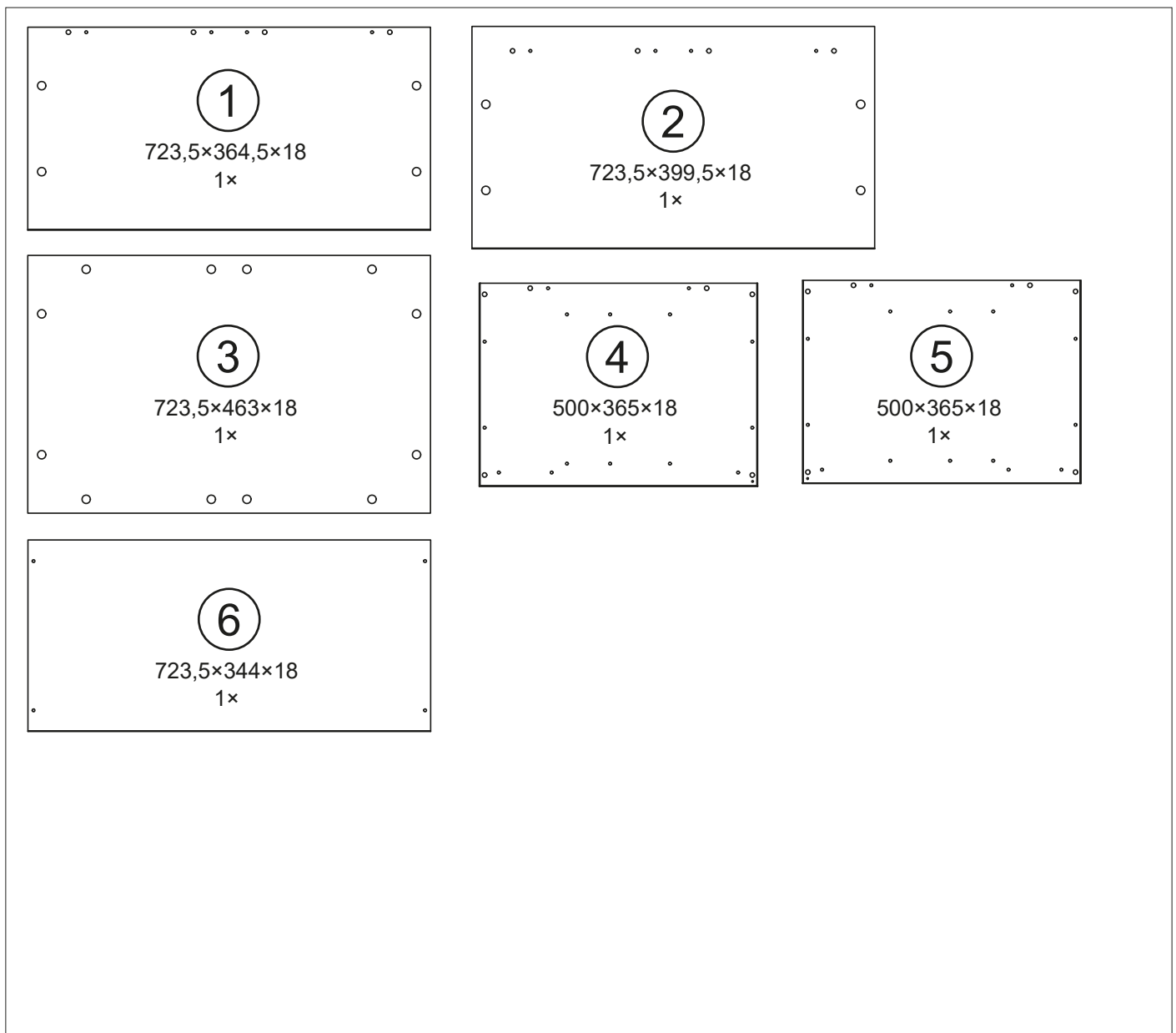
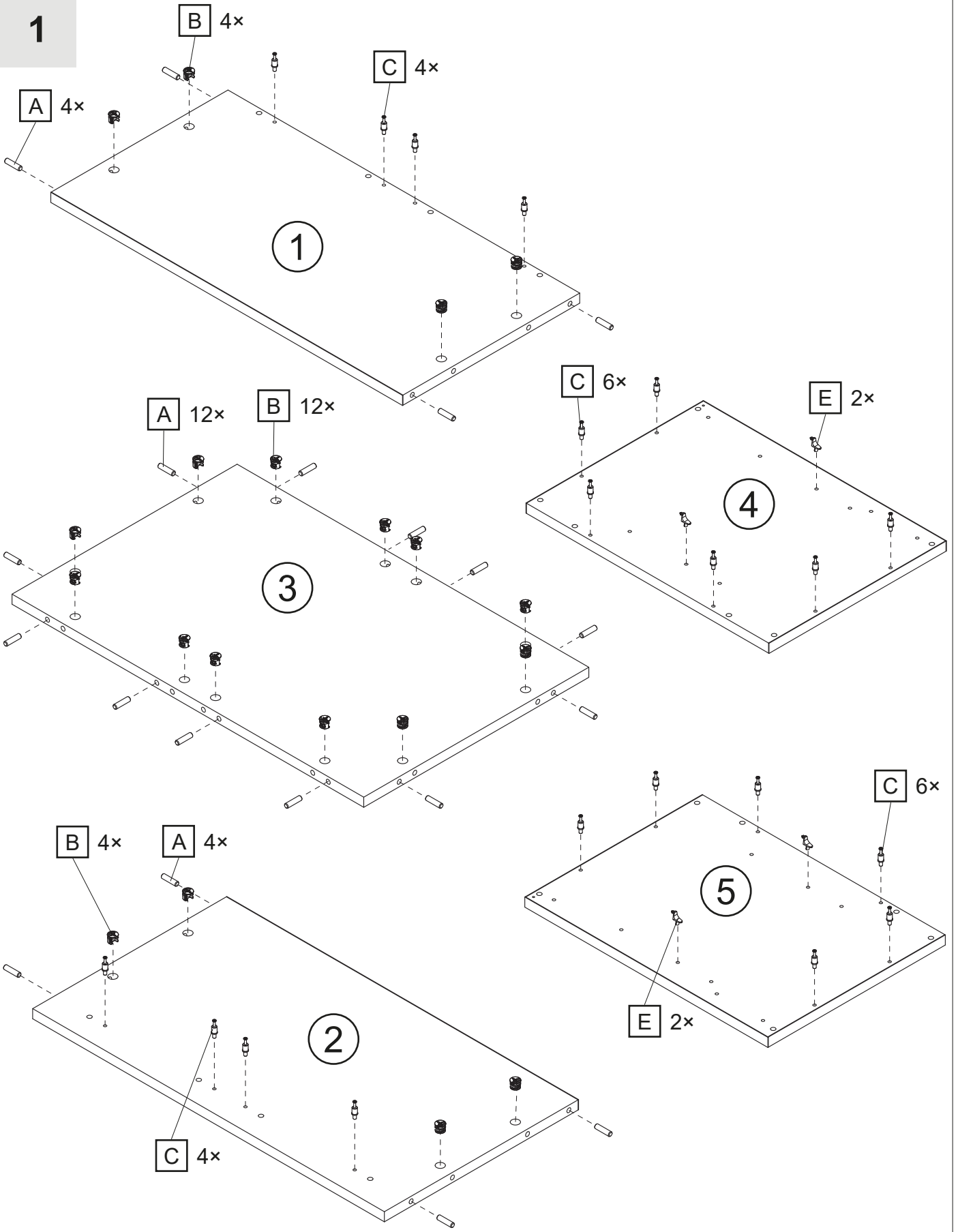


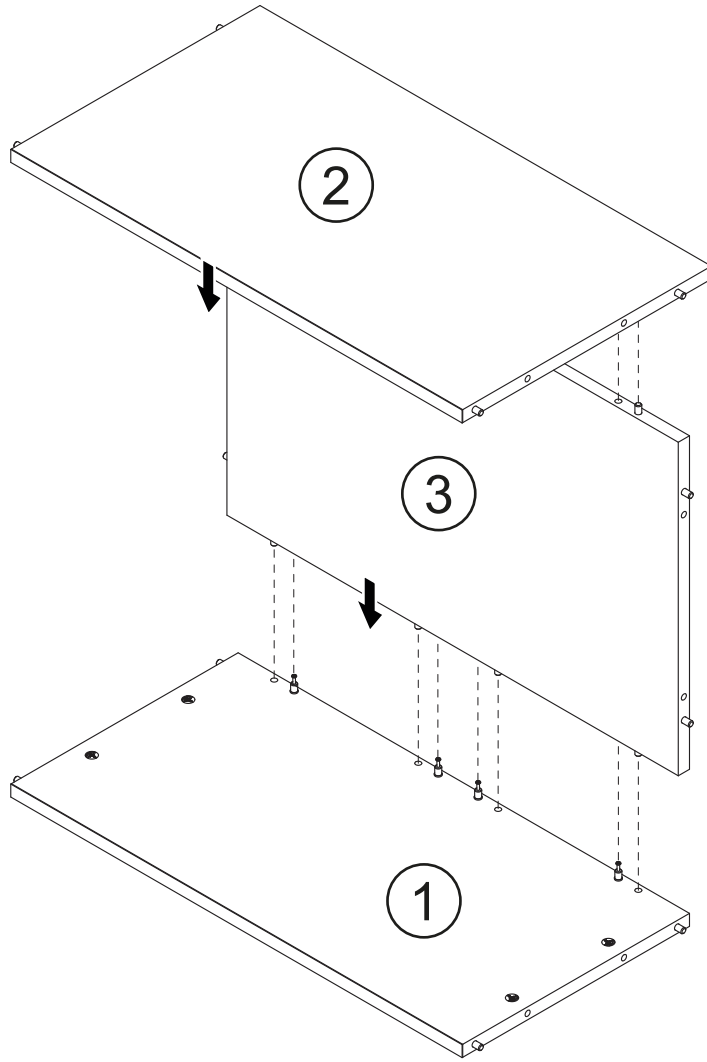
|   |   |   |   |   |   |   |   |
|---|---|---|---|---|---|---|---|
|  |  |  |  |  |  |  |  |
| Ø8 × 35   |   | Ø8 × 24   |   |   |   | M4 × 25   | Ø3,5 × 35   |
| A 20×   | B 20×   | C 20×   | D 20×   | E 4×  | F 2×  | G 2×  | H 4×  |



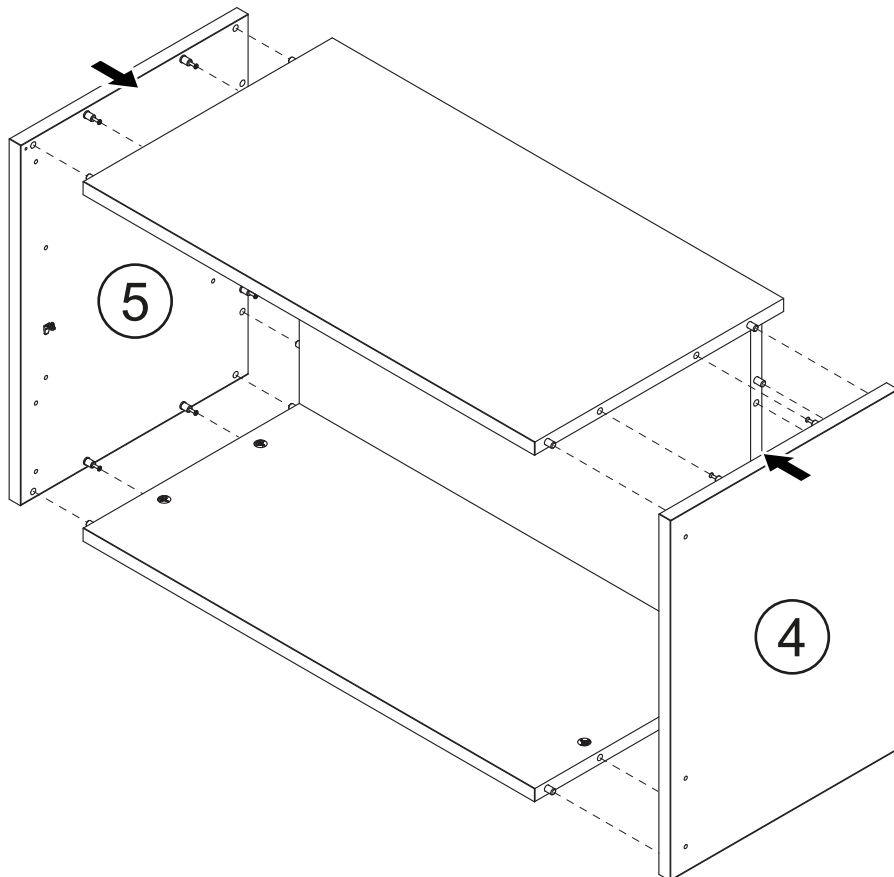
1



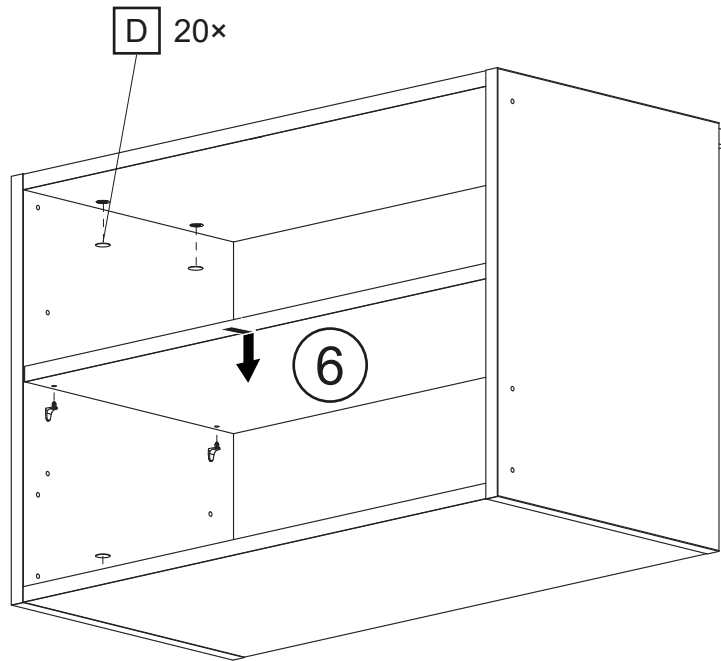
2



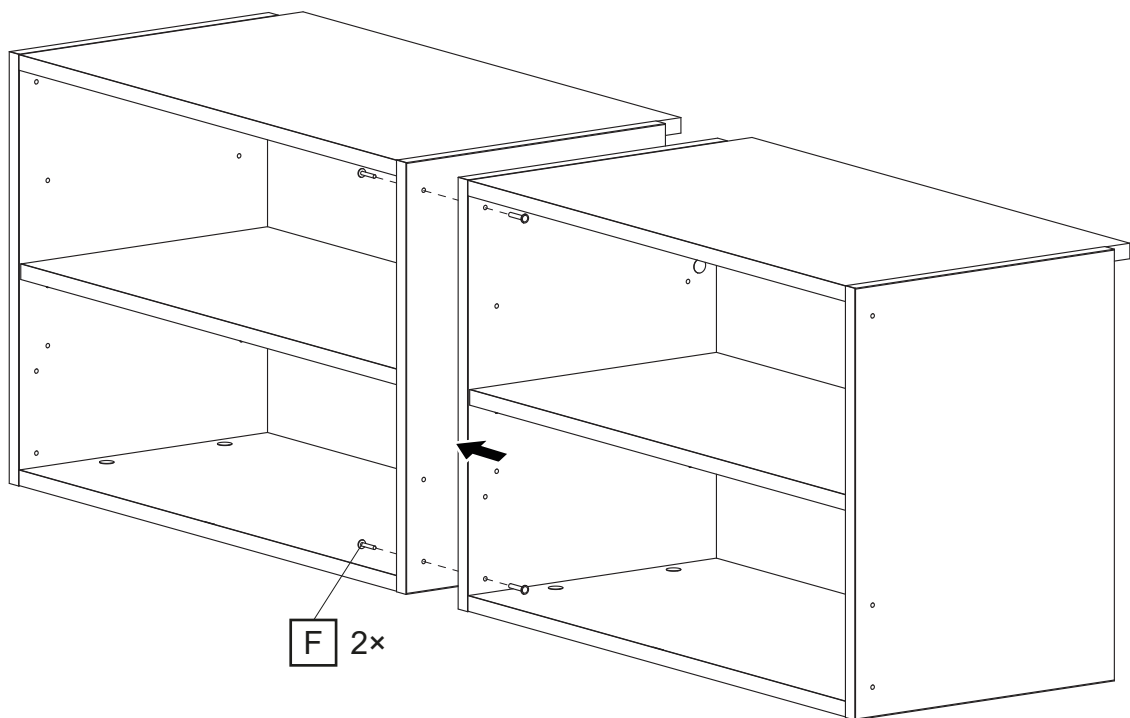
3

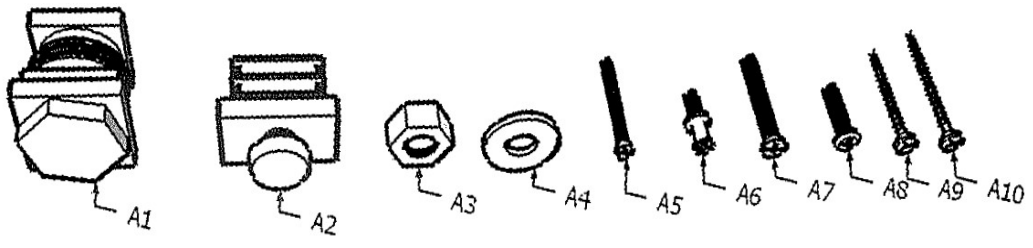


4



5





|          |          |           |           |           |           |           |
|----------|----------|-----------|-----------|-----------|-----------|-----------|
| <b>1</b> | <b>2</b> | <b>A2</b> | <b>A5</b> | <b>A6</b> | <b>A8</b> | <b>A9</b> |
| 2x       | 1x       | 4x        | 4x        | 16x       | 4x        | 4x        |

