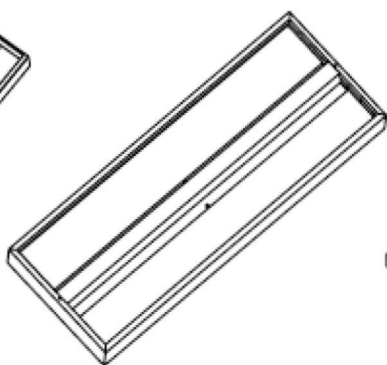


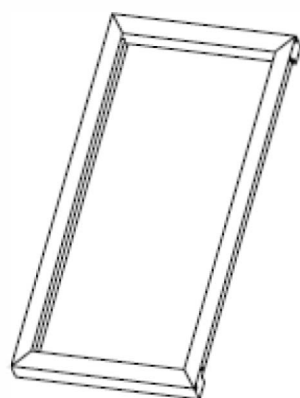
A x 1



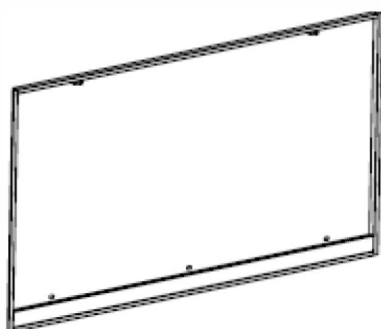
B x 1



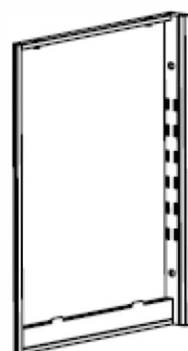
C x 1



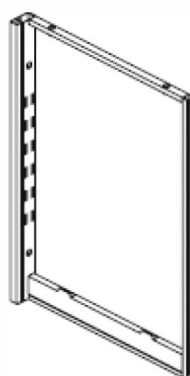
D x 1



E x 1



F x 1



G x 1



J x 4



K x 4



N x 20

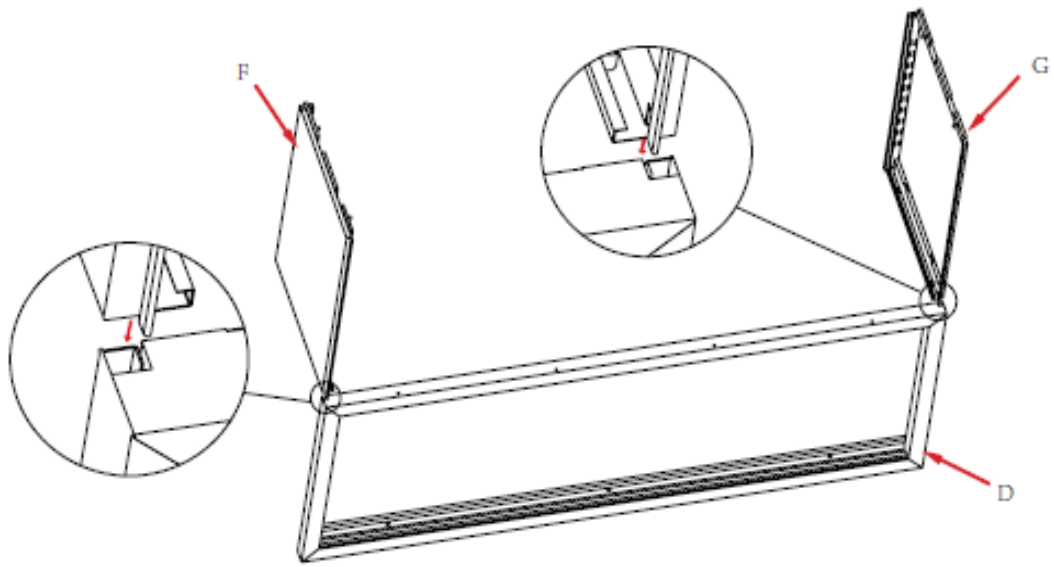


S x 4

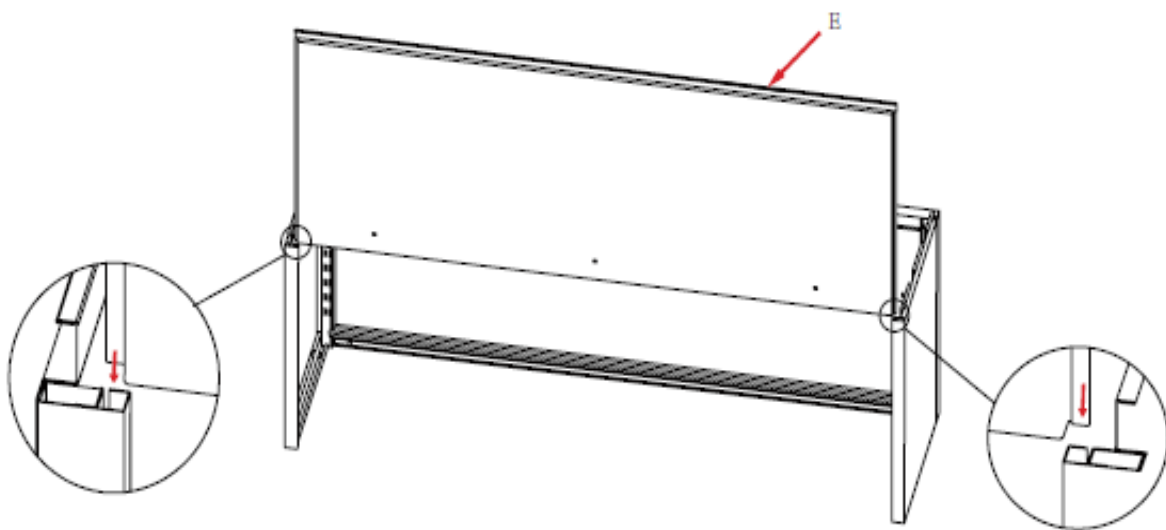


RX4

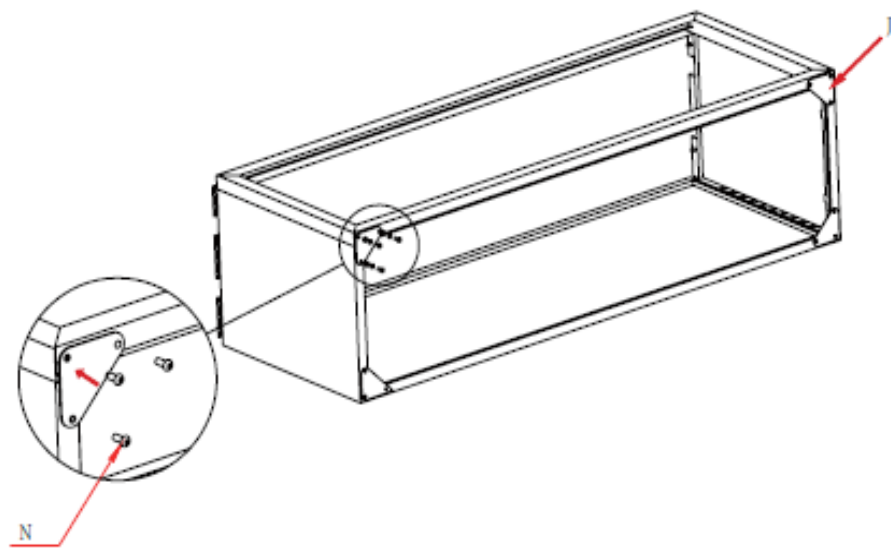
1



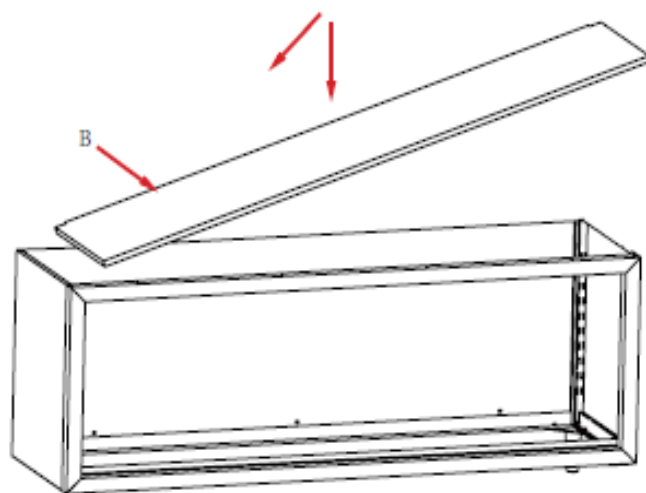
2



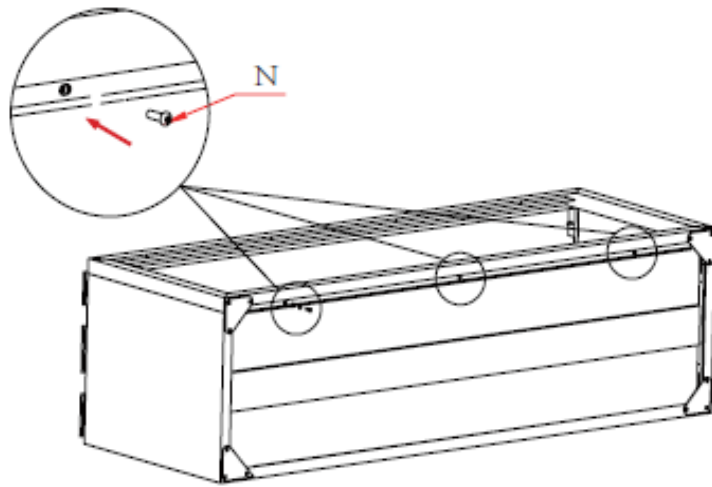
3



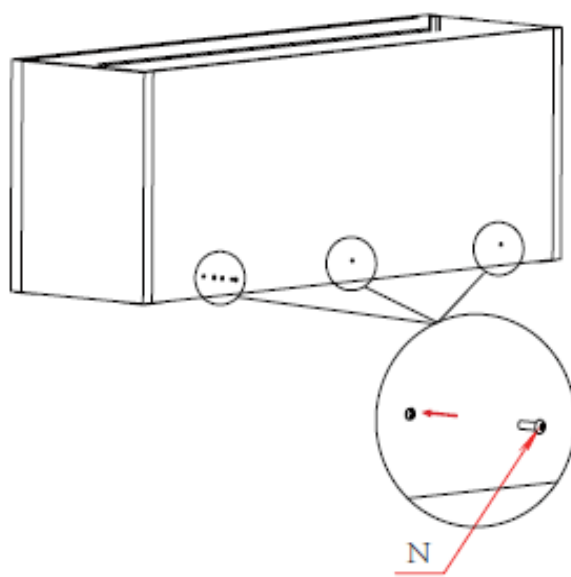
4



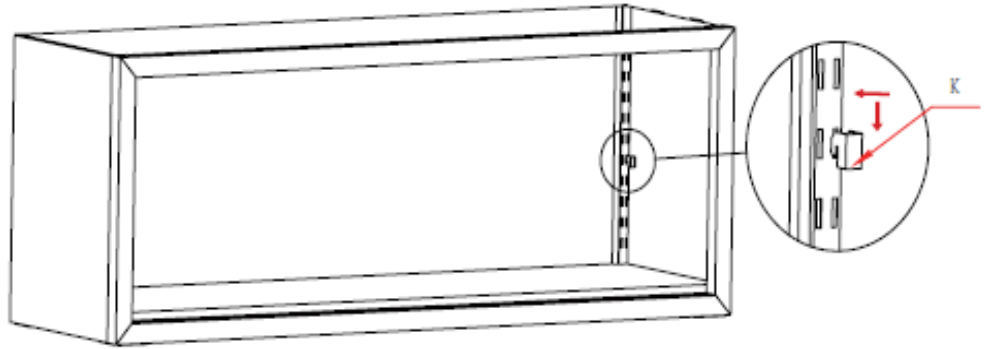
5



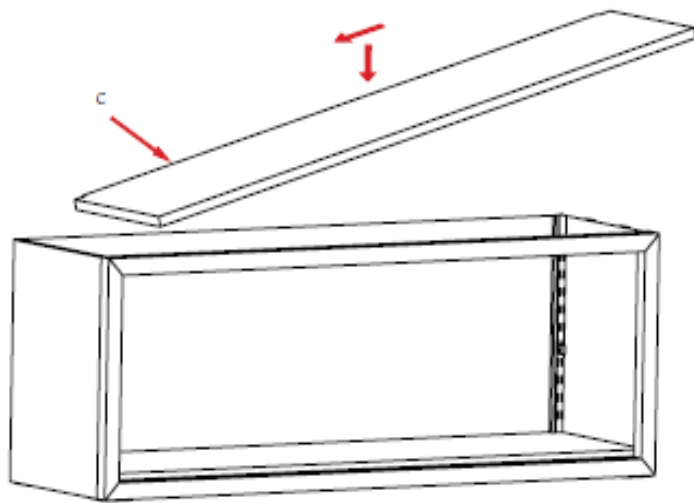
6



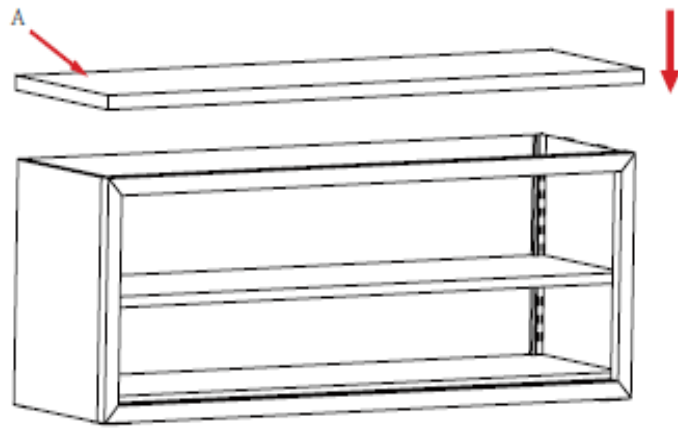
7



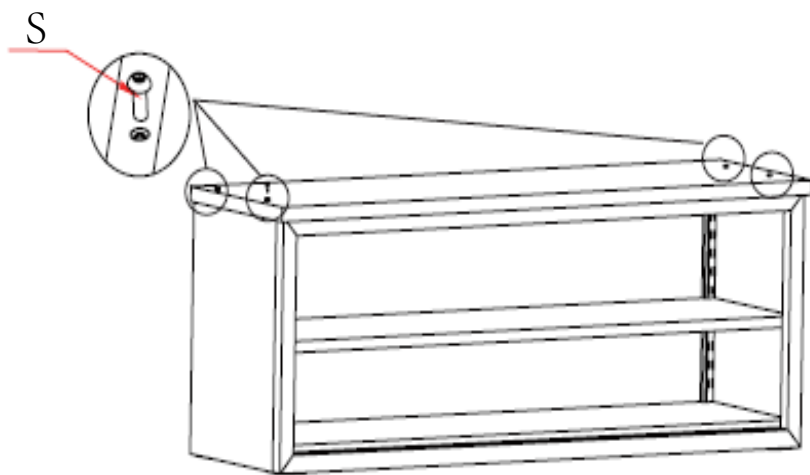
8



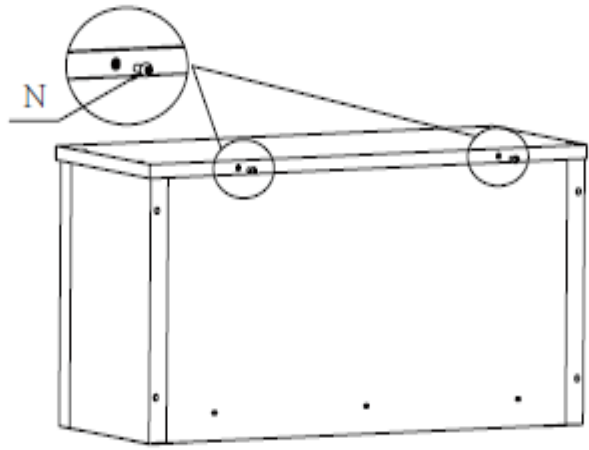
9



10



11



12

