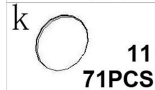
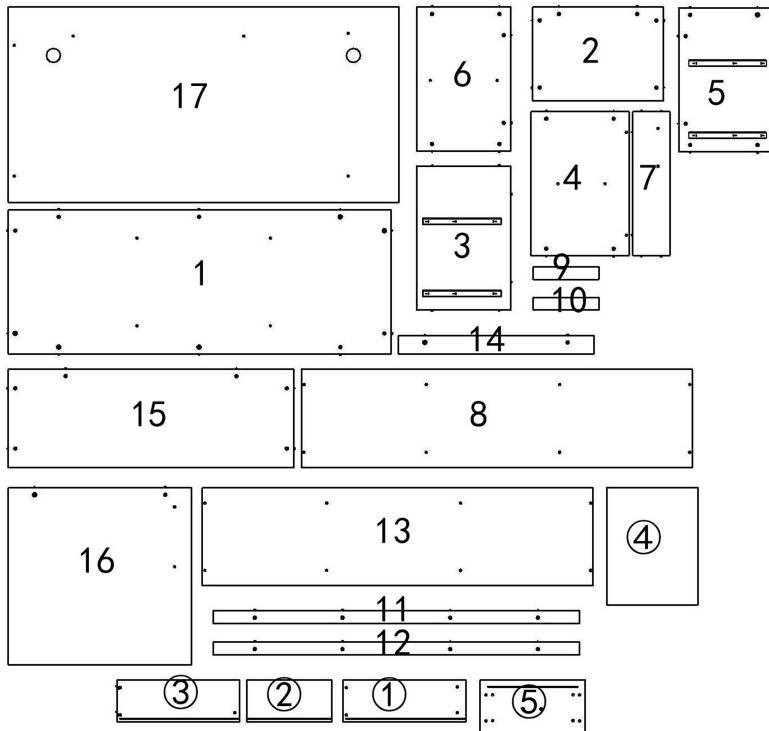




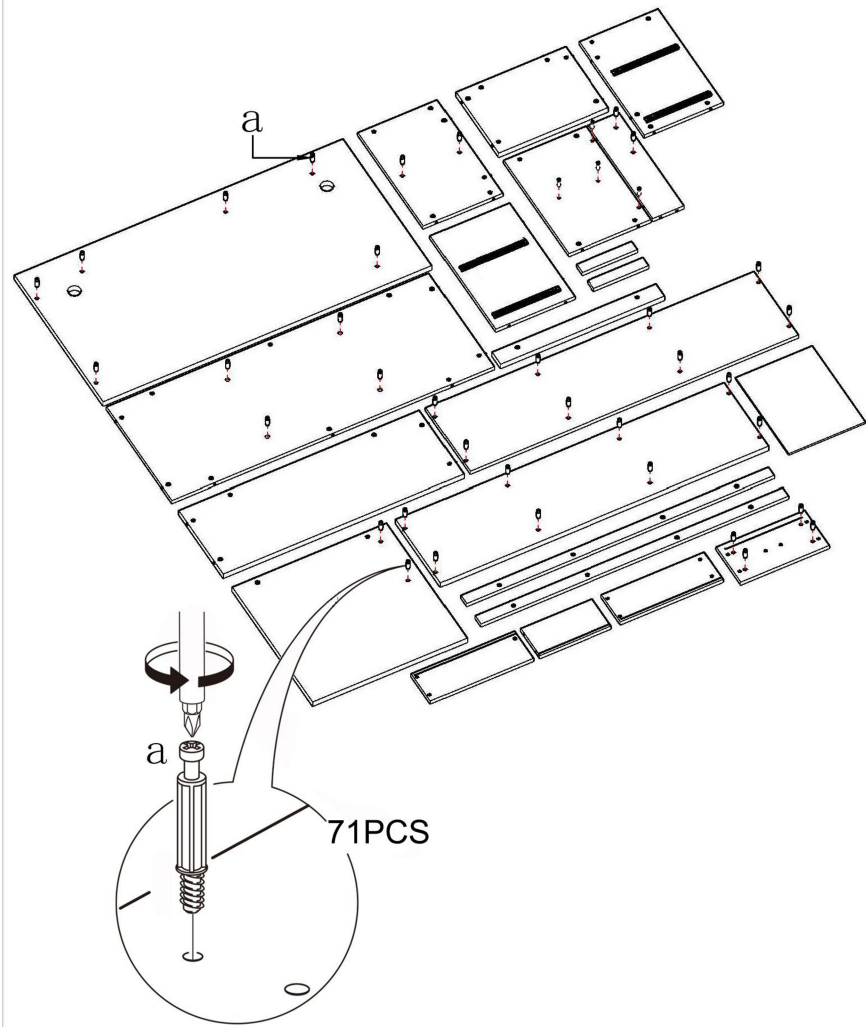
1



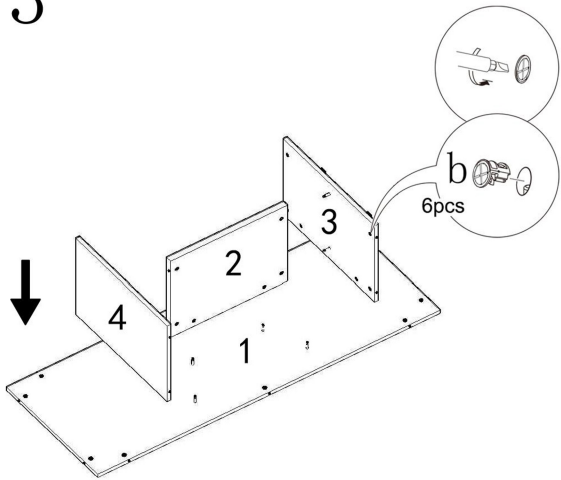
pcs / ks / Stck



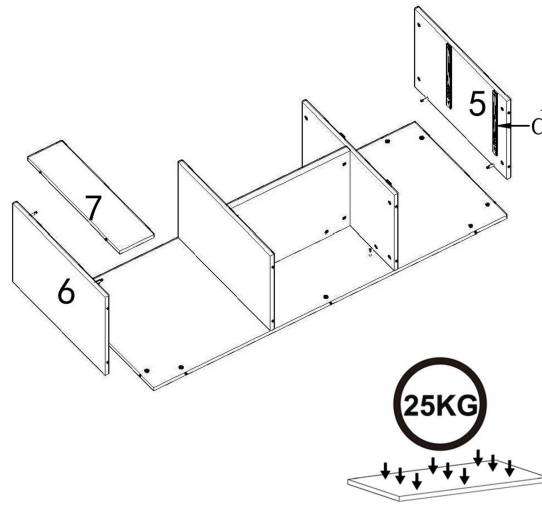
2



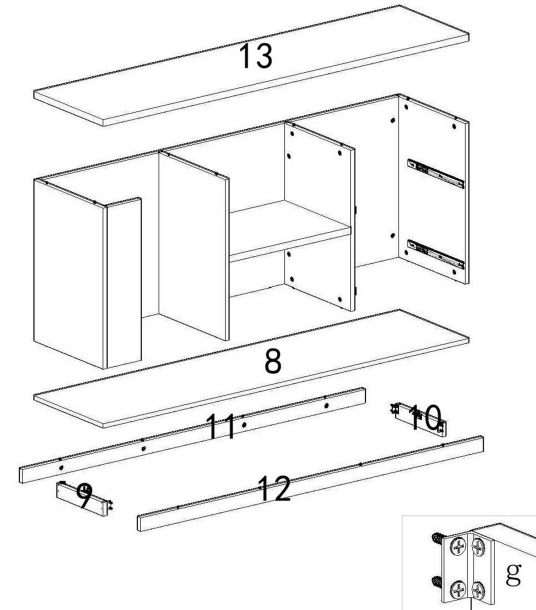
3



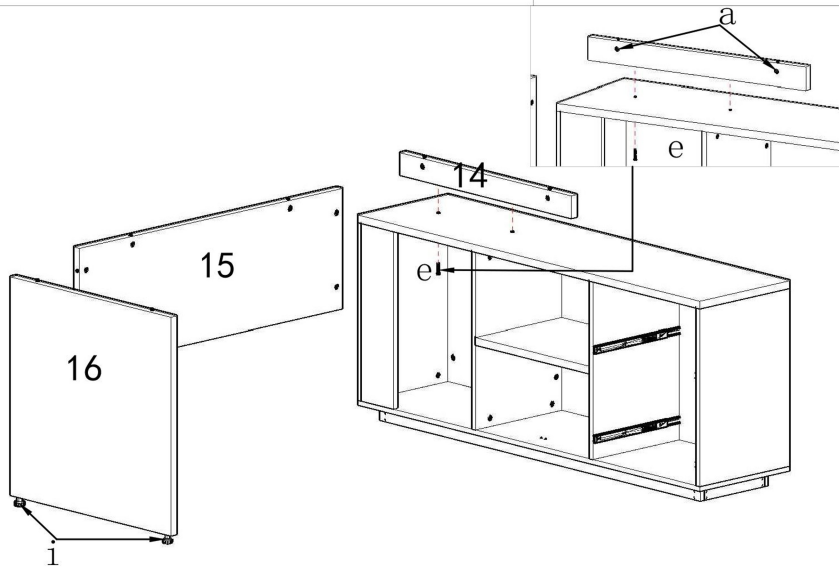
4



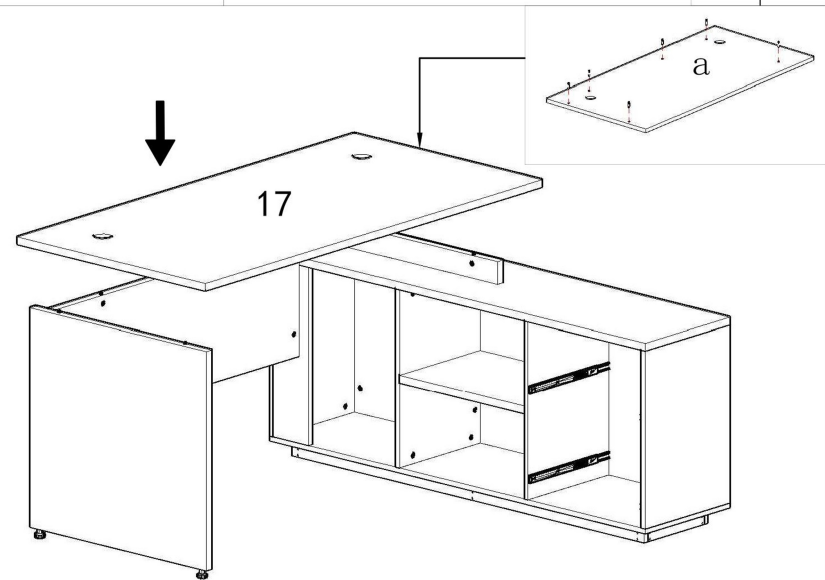
5



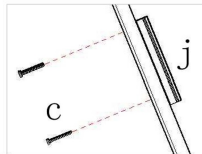
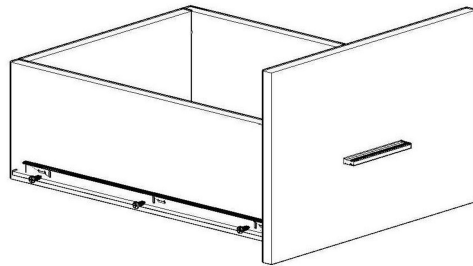
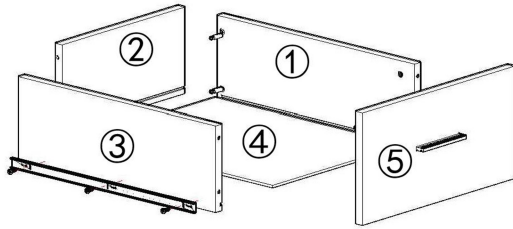
6



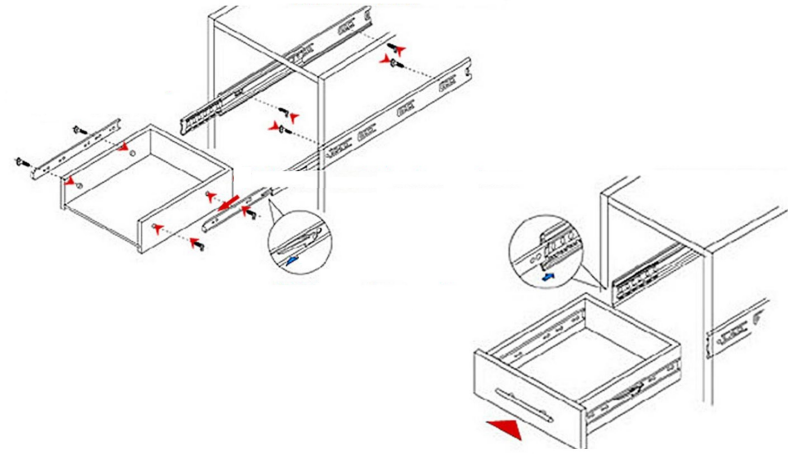
7



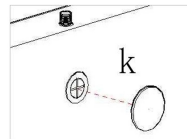
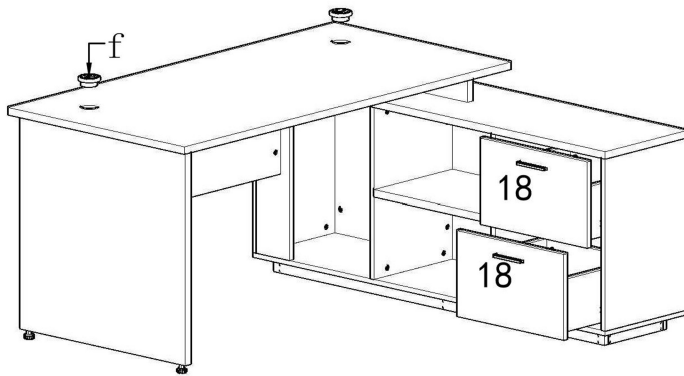
8



9



10



11

