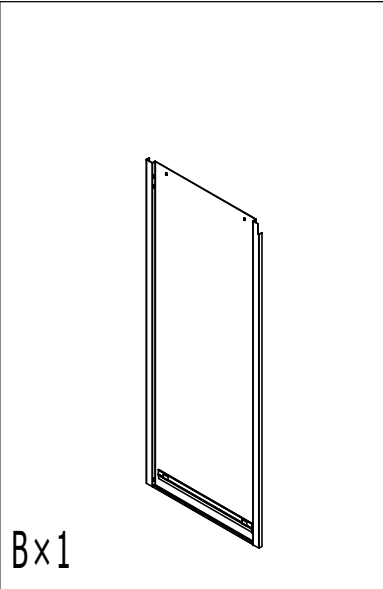
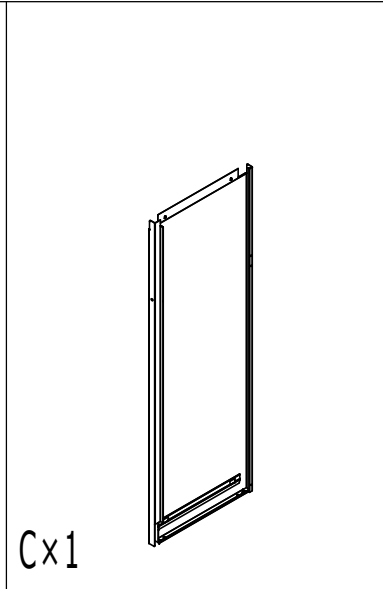


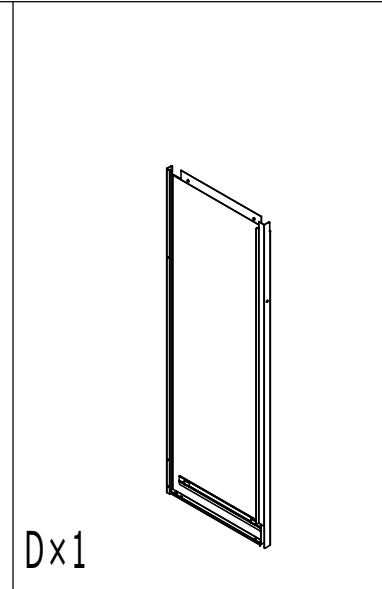
Ax1



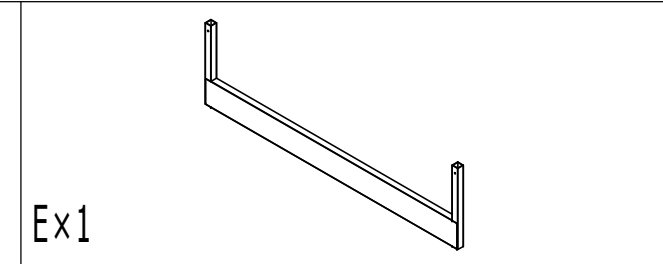
Bx1



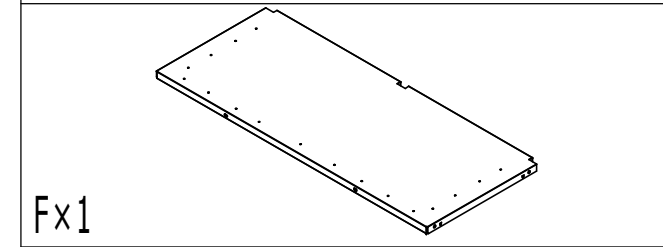
Cx1



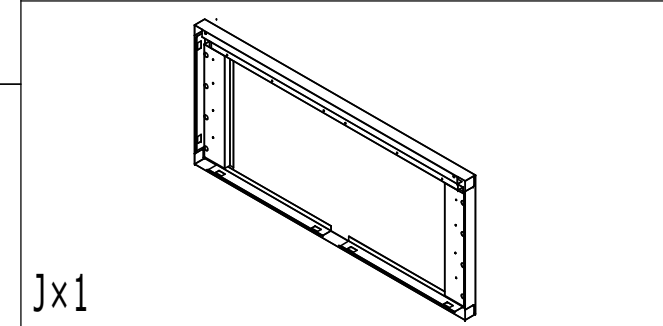
Dx1



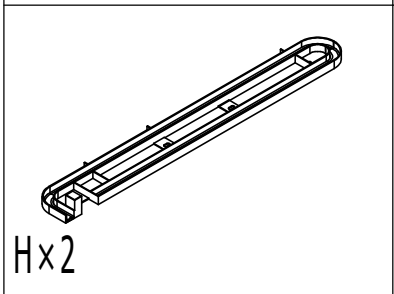
Ex1



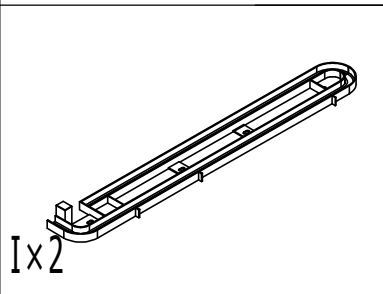
Fx1



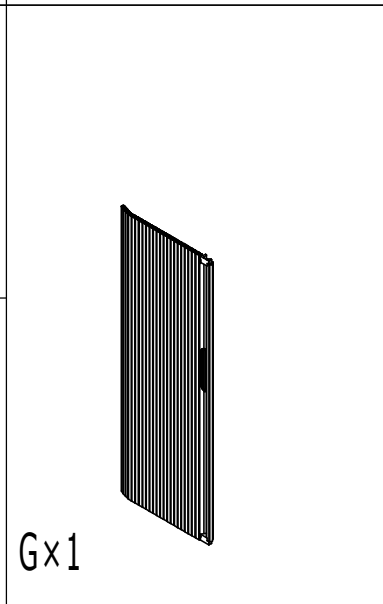
Jx1



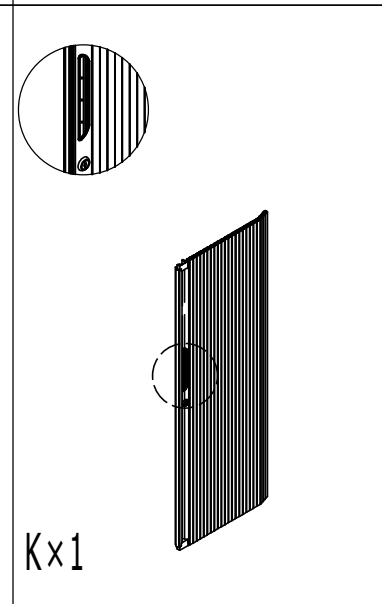
Hx2



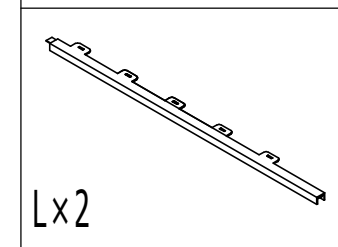
Ix2



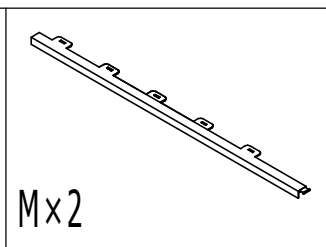
Gx1



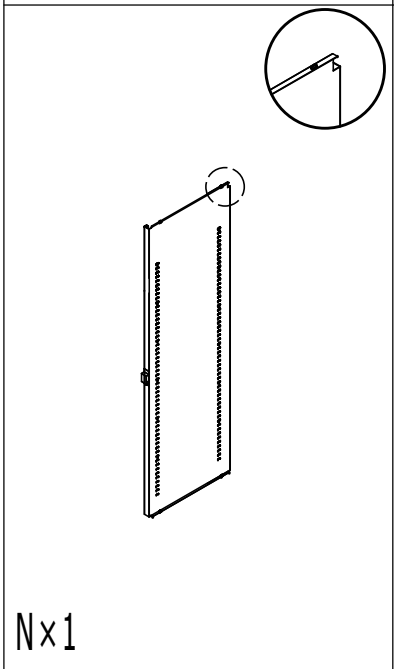
Kx1



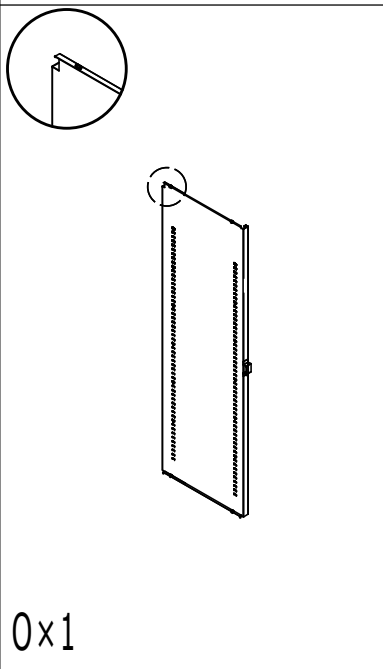
Lx2



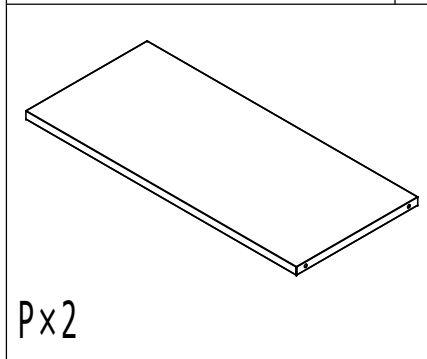
Mx2



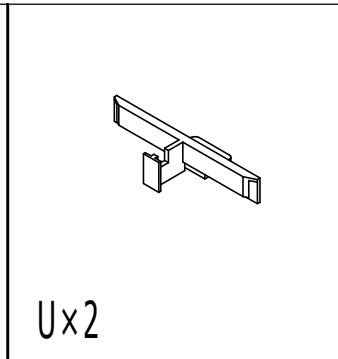
Nx1



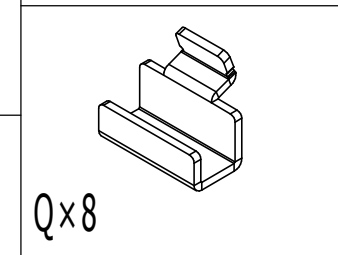
Ox1



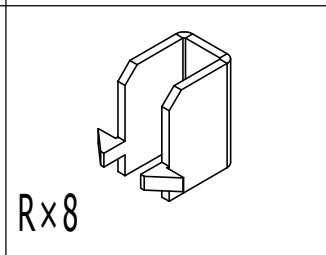
Px2



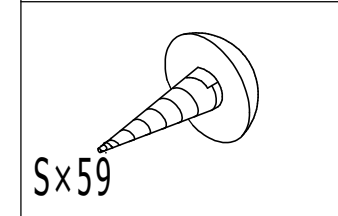
Ux2



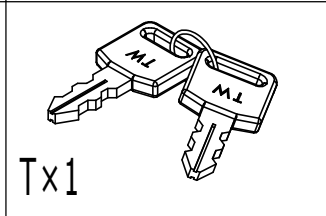
Qx8



Rx8

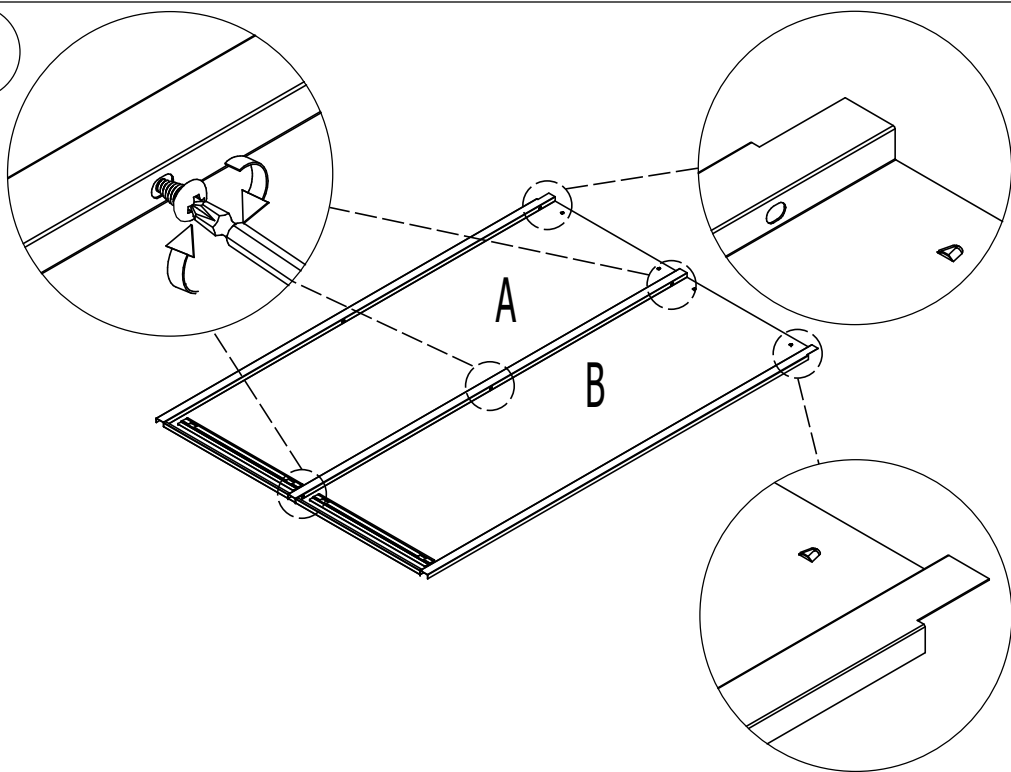


Sx59

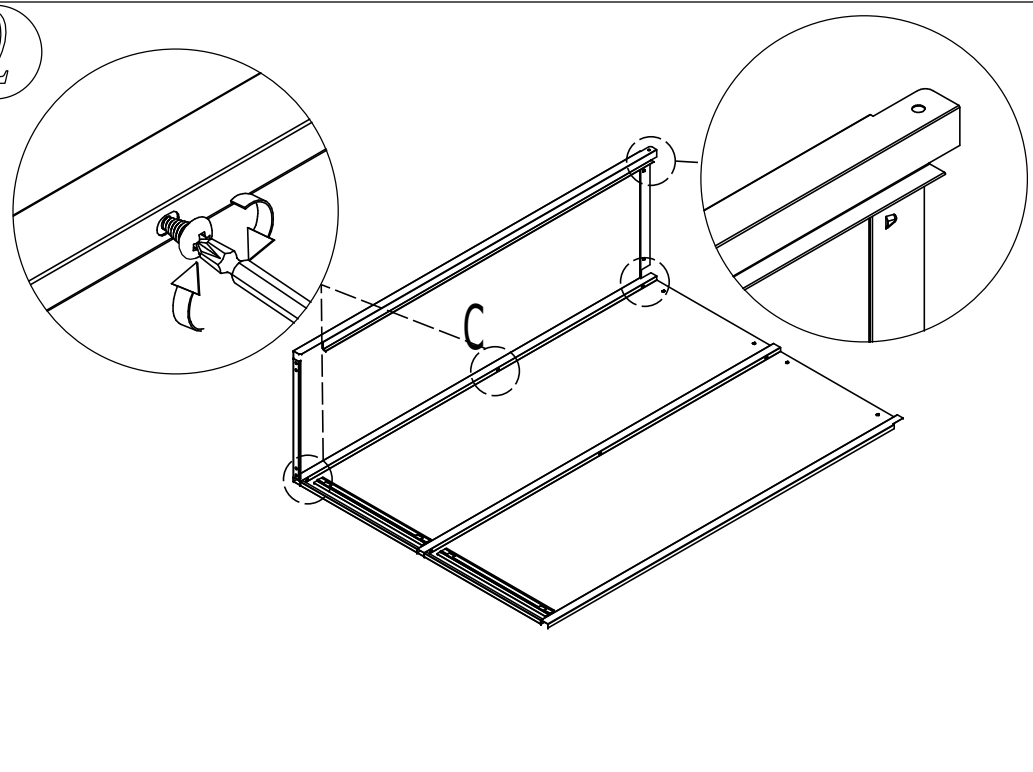


Tx1

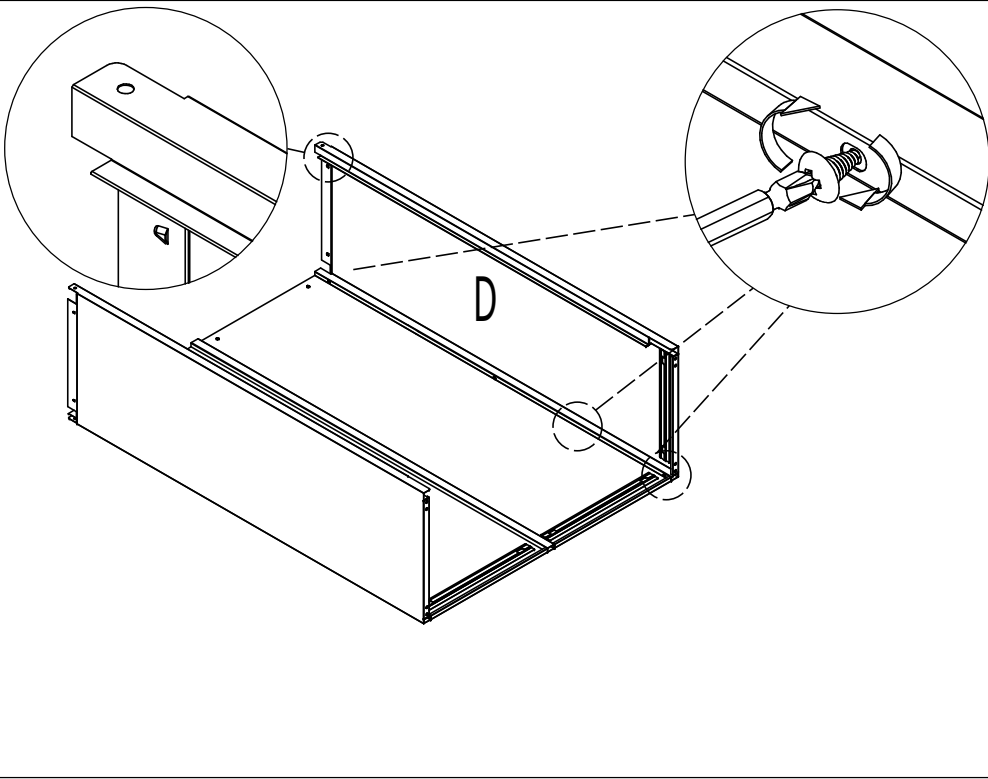
1



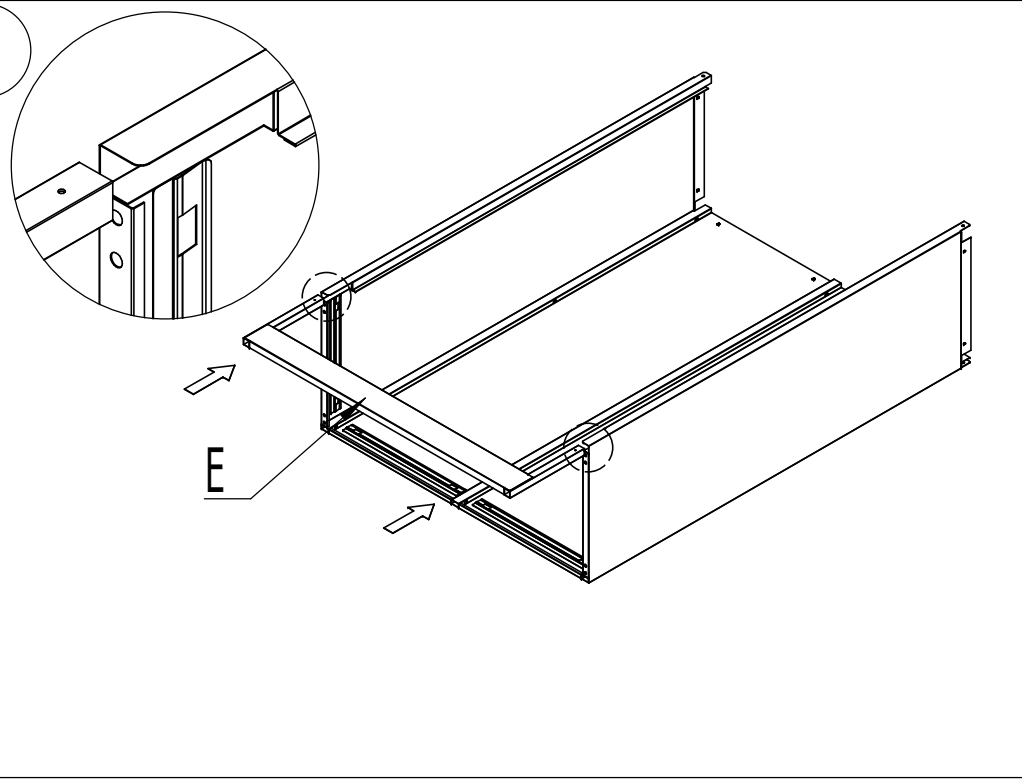
2



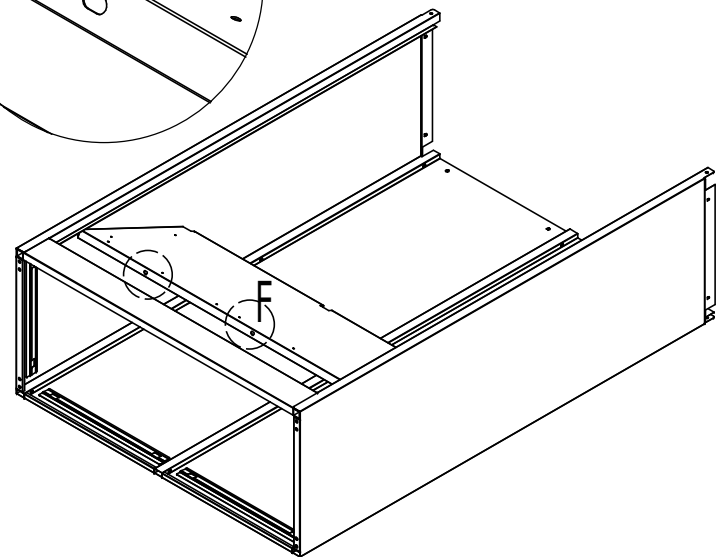
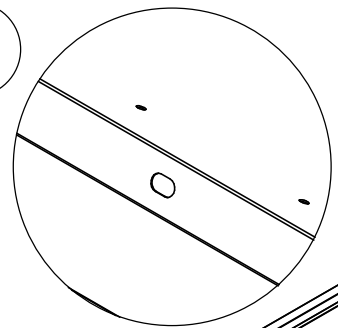
3



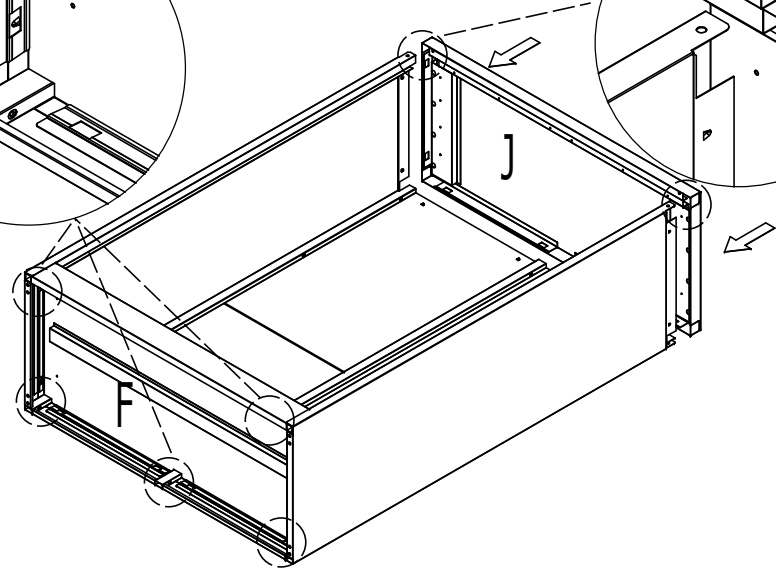
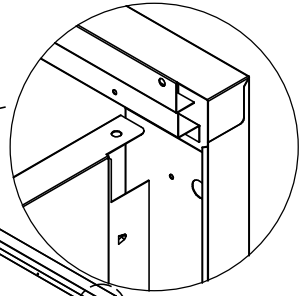
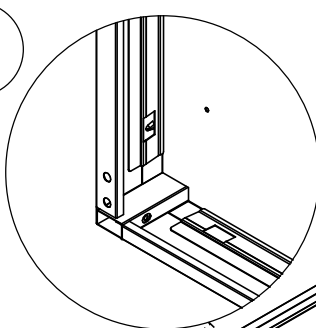
4



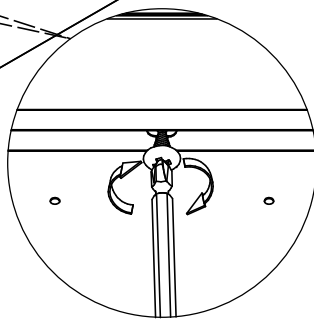
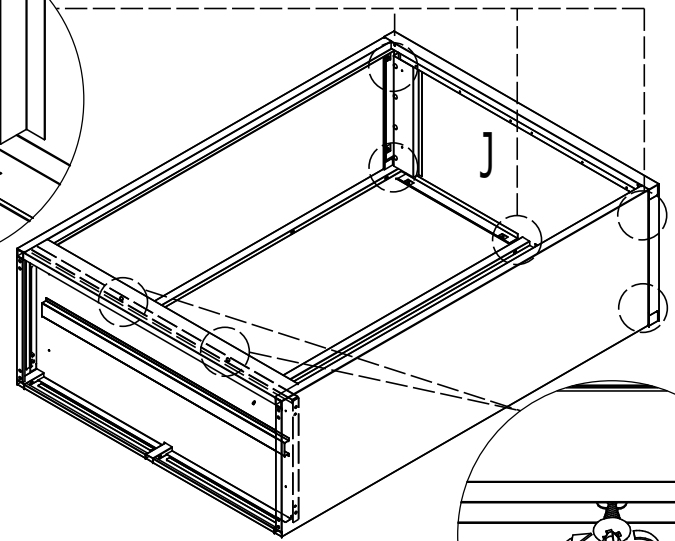
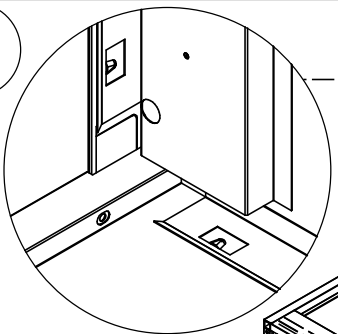
5



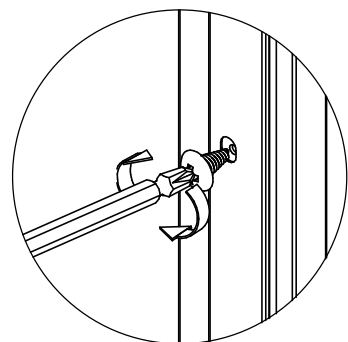
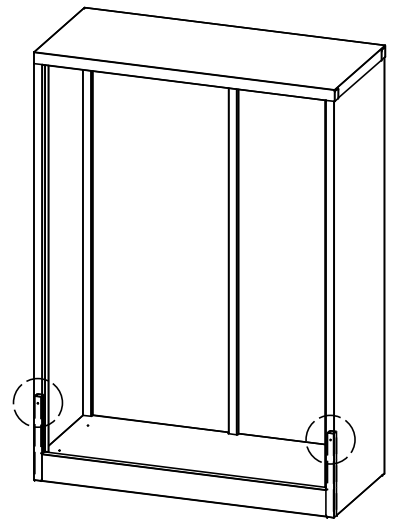
6



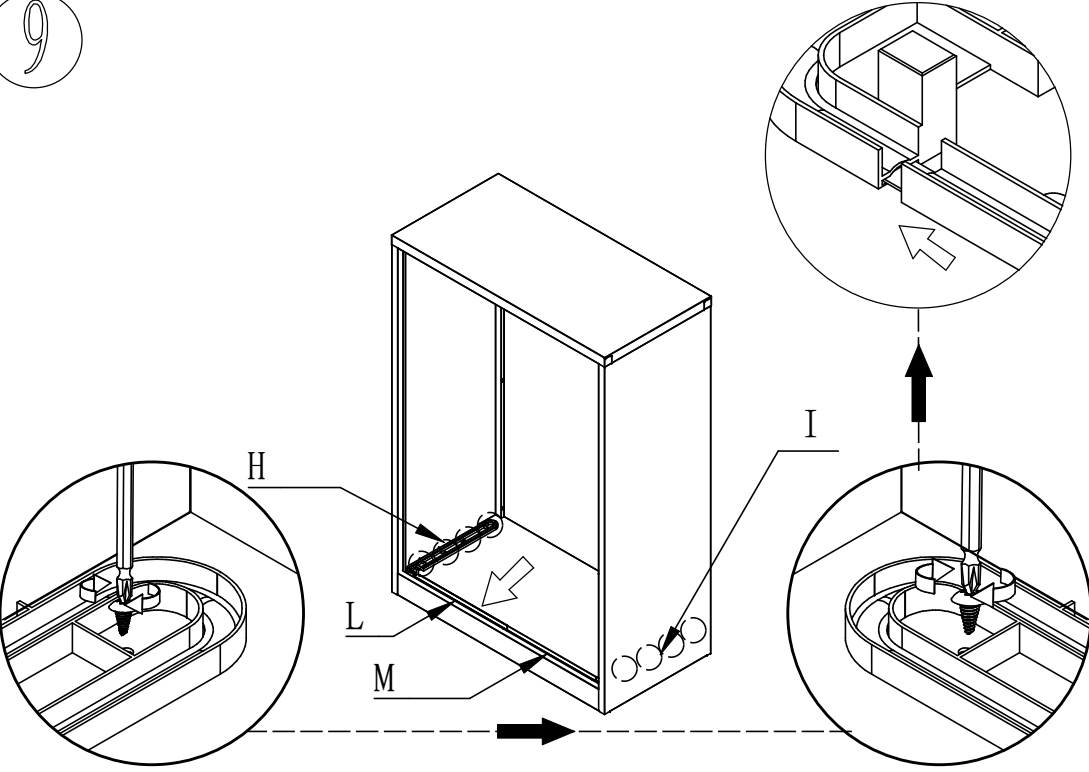
7



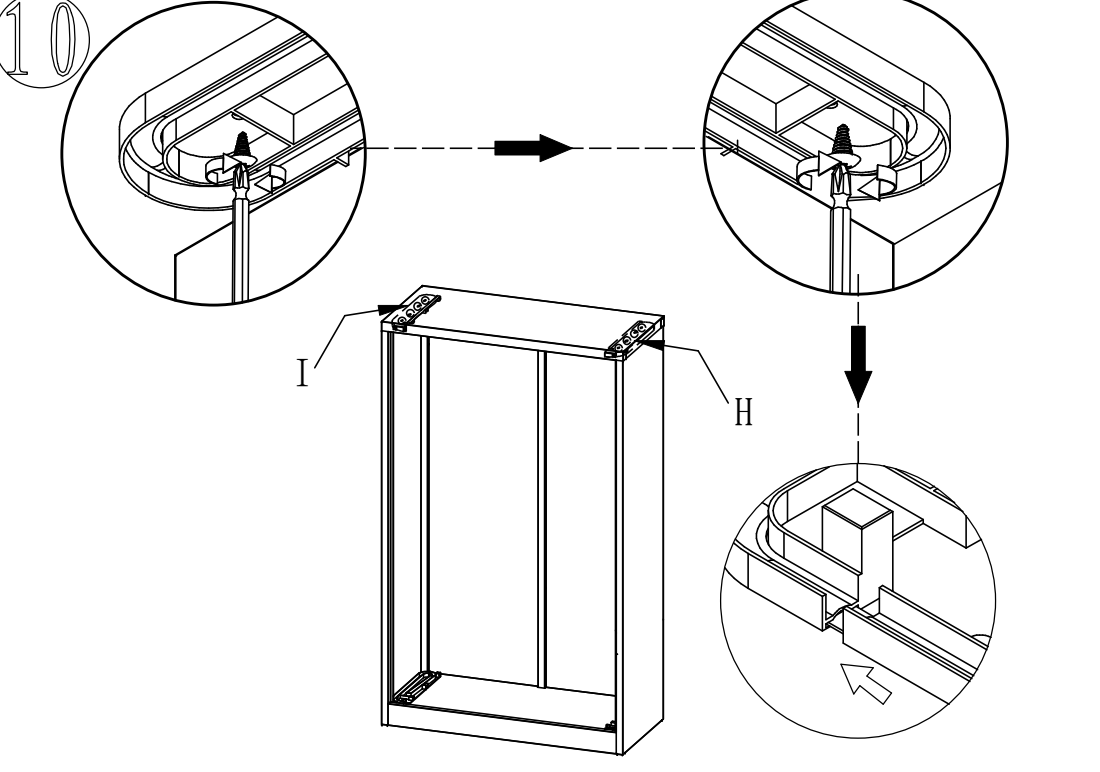
8



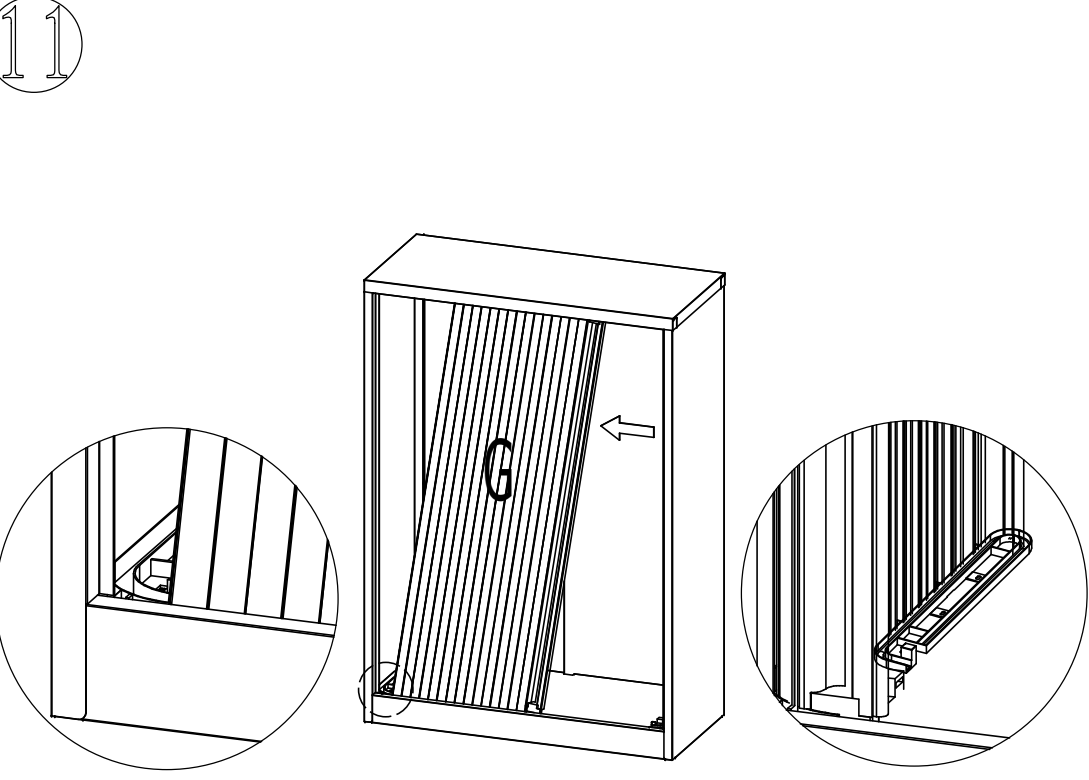
9



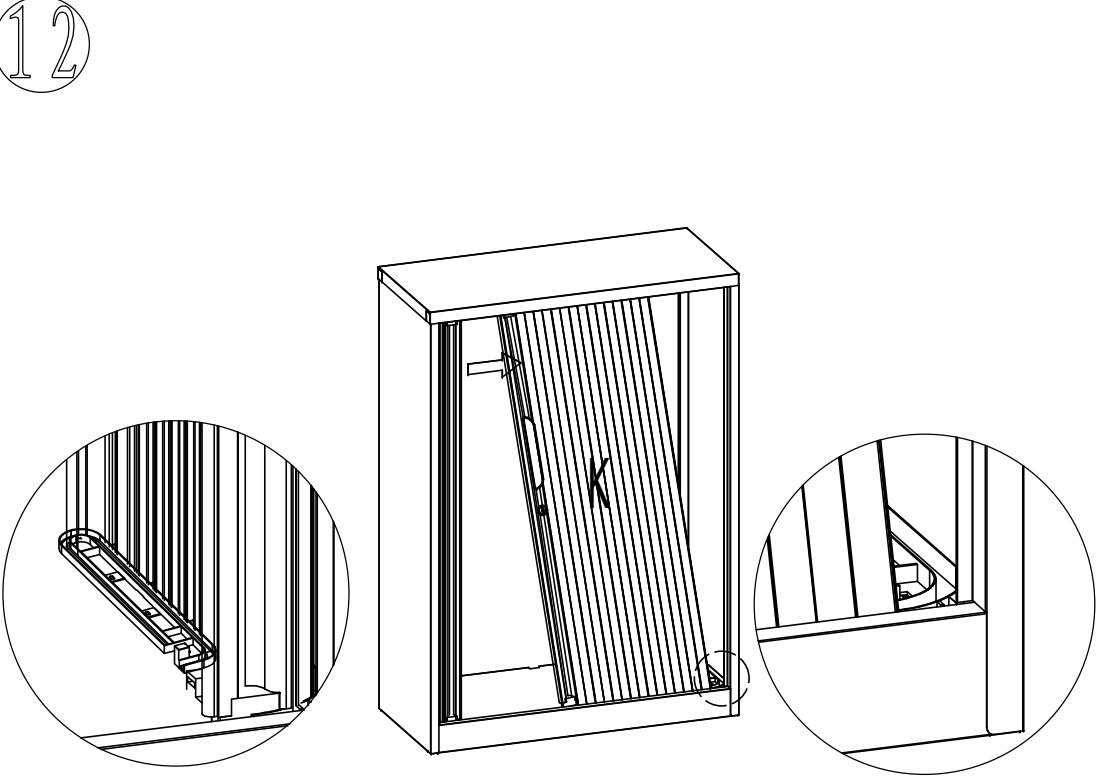
10



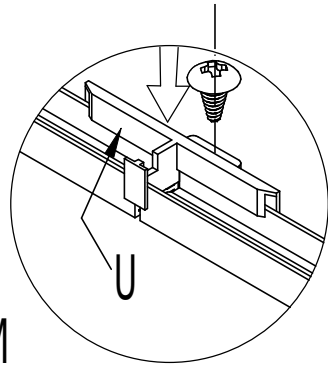
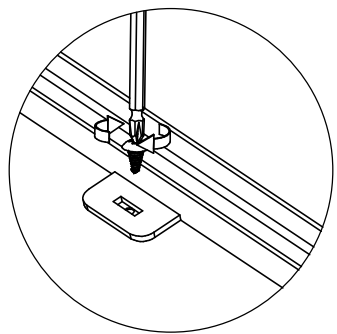
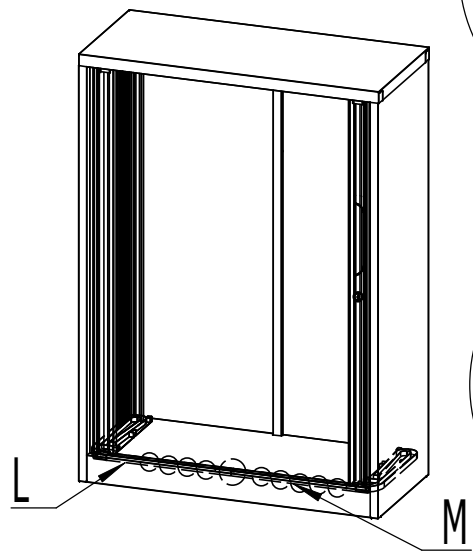
11



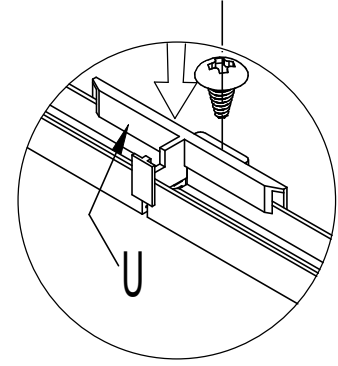
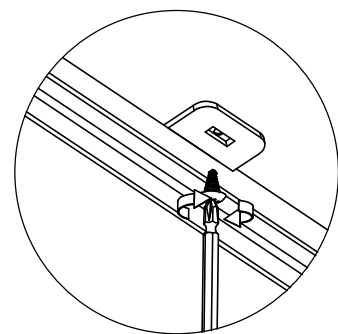
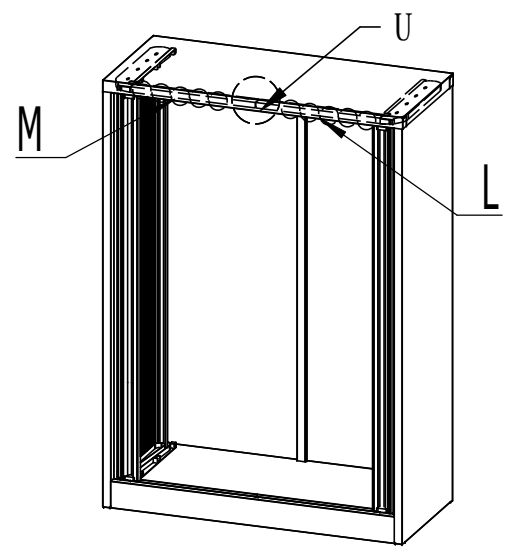
12



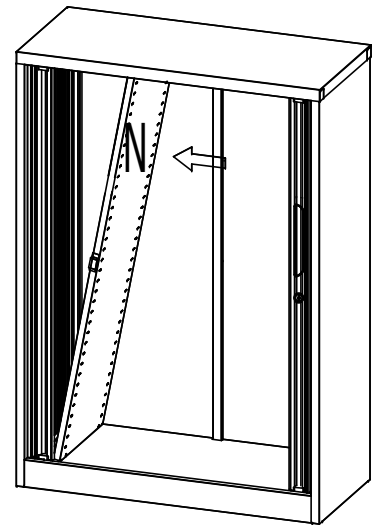
13



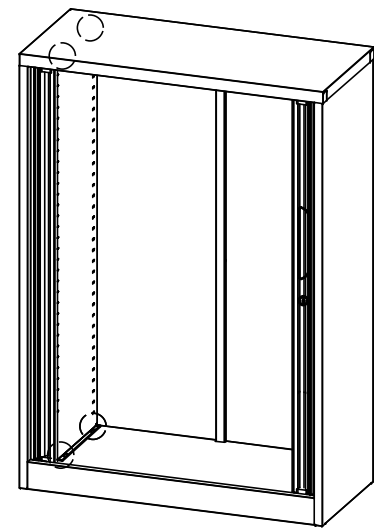
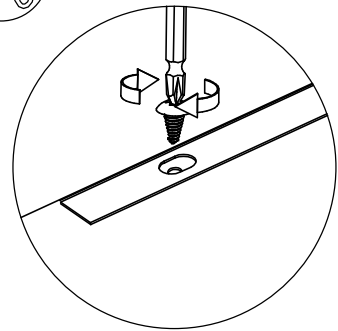
14



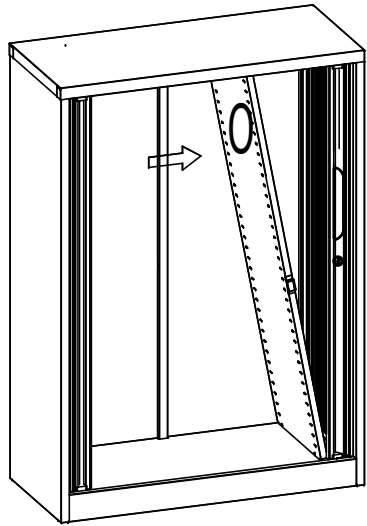
15



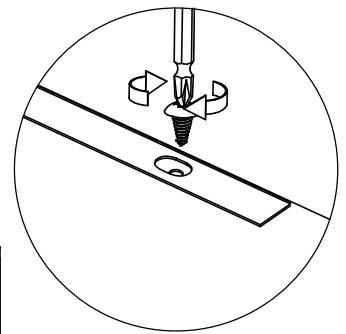
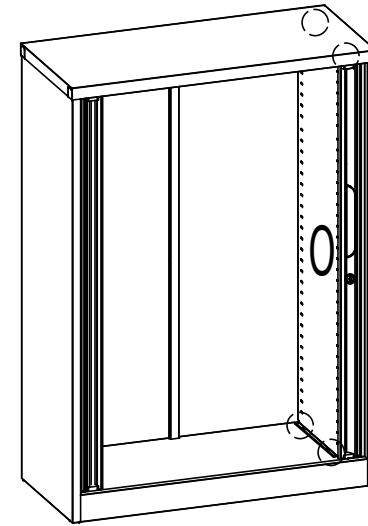
16



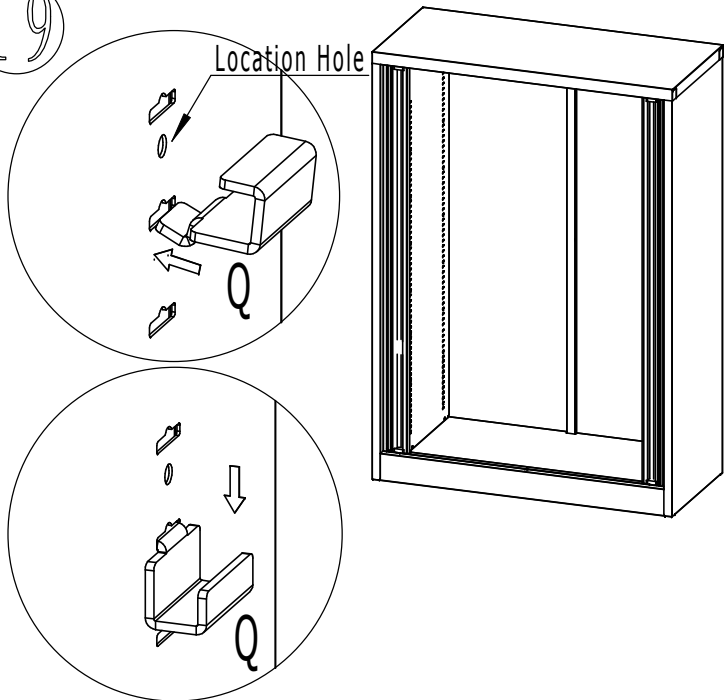
17



18



19

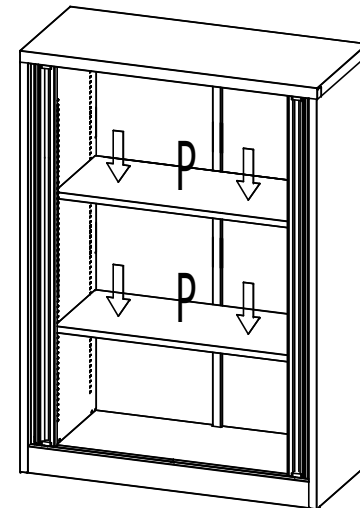


Location Hole

Q

Q

20



P

P

