
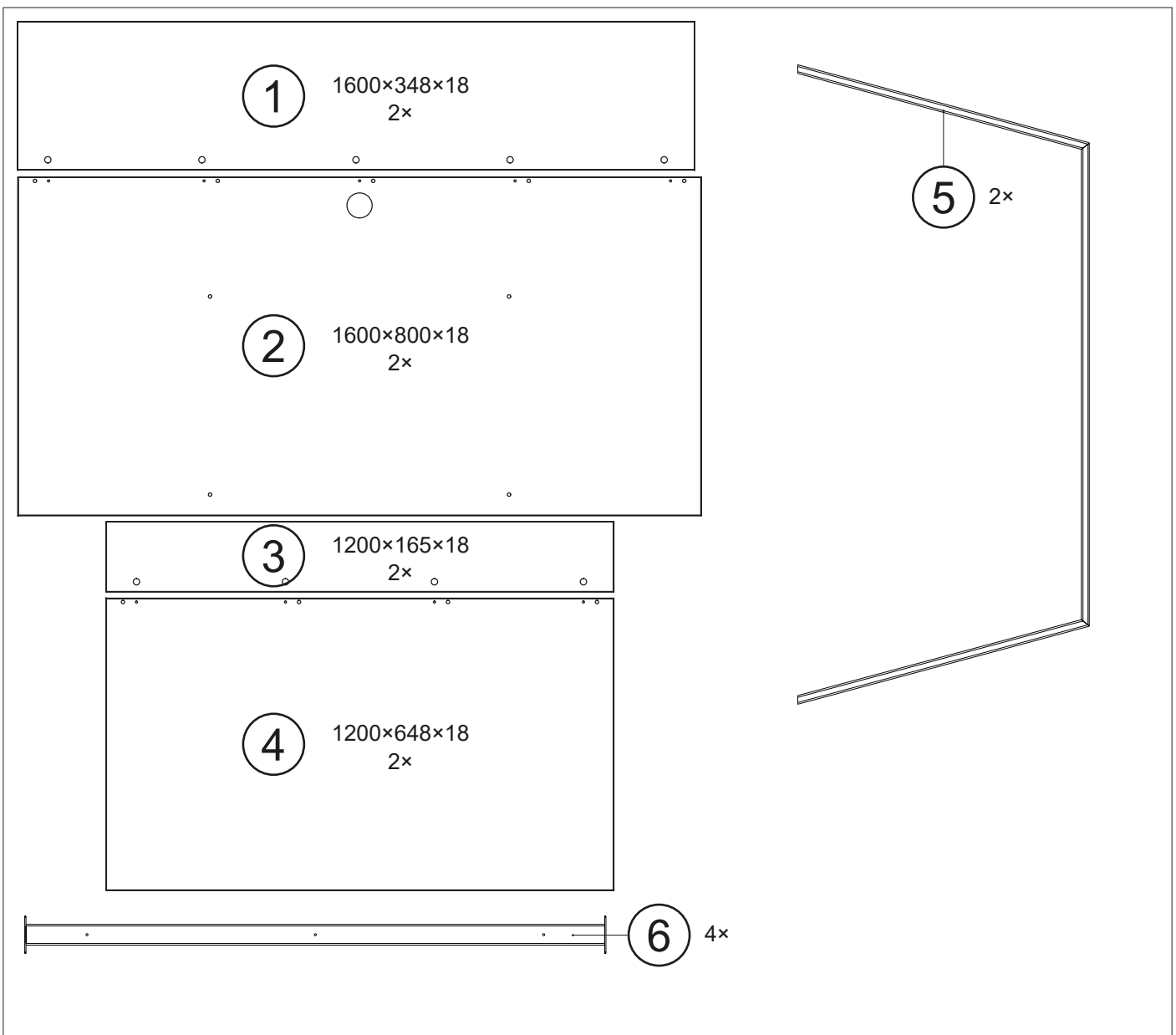
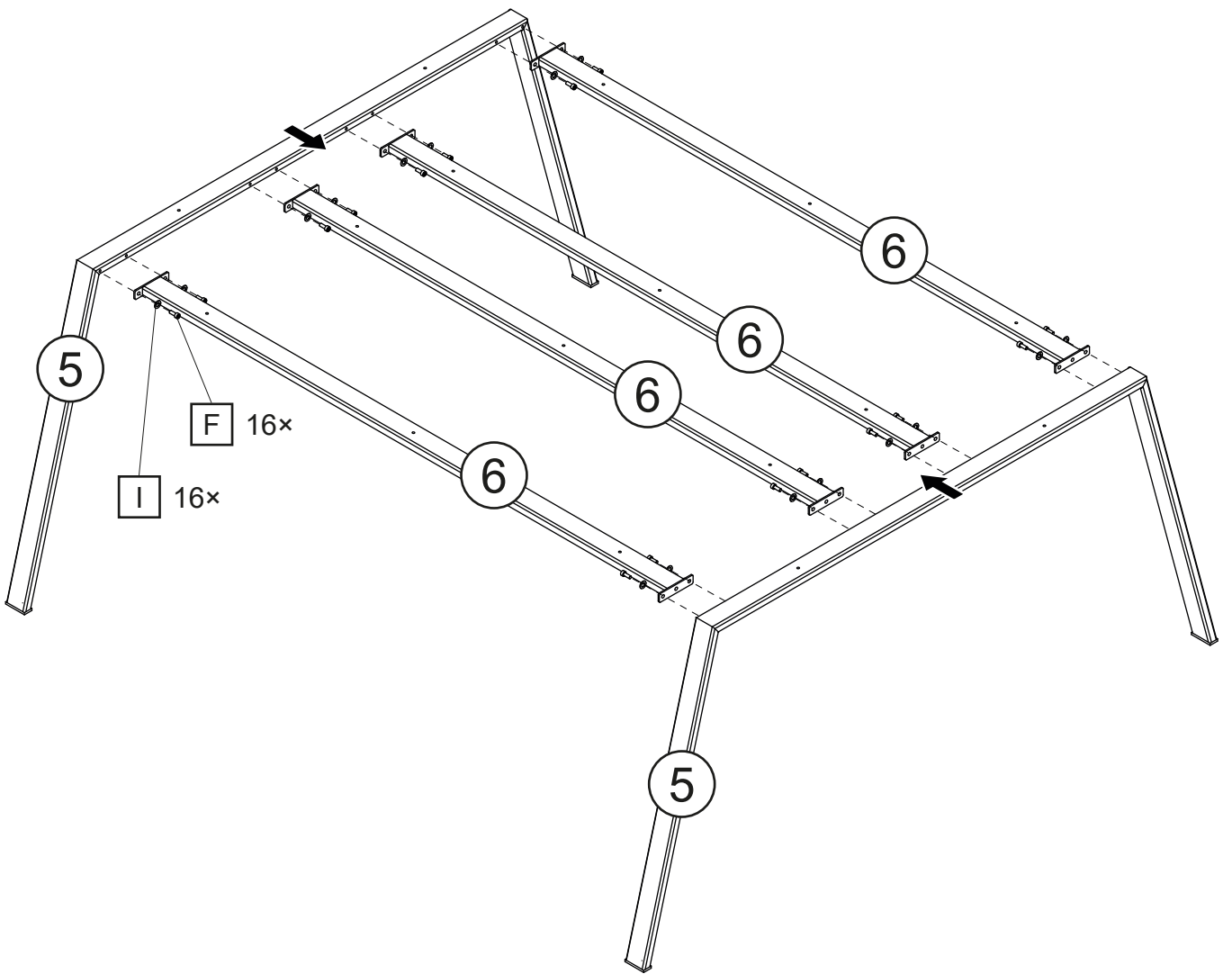
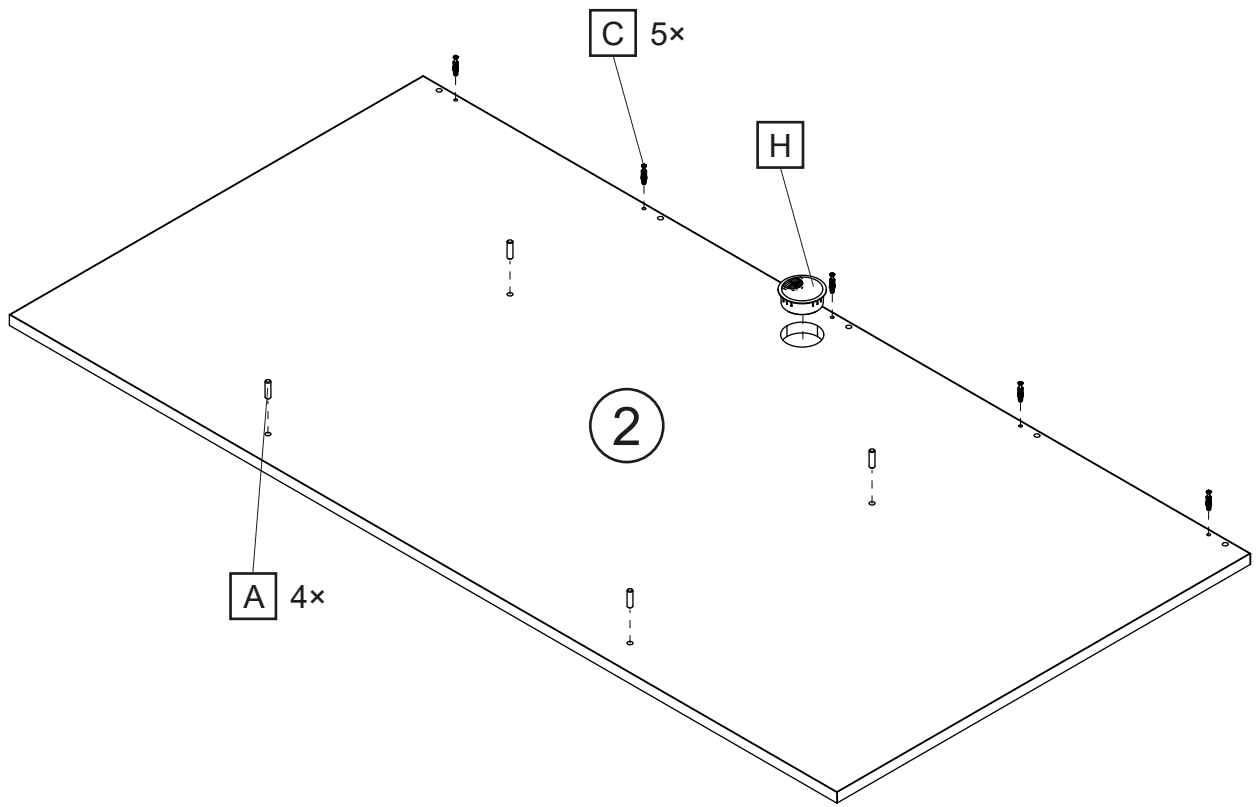

Ø8 × 35		Ø8 × 24			Ø6 × 16	Ø3,5 × 30	
A 26×	B 18×	C 18×	D 18×	E 24×	F 16×	G 16×	H 2×
							
I 16×							



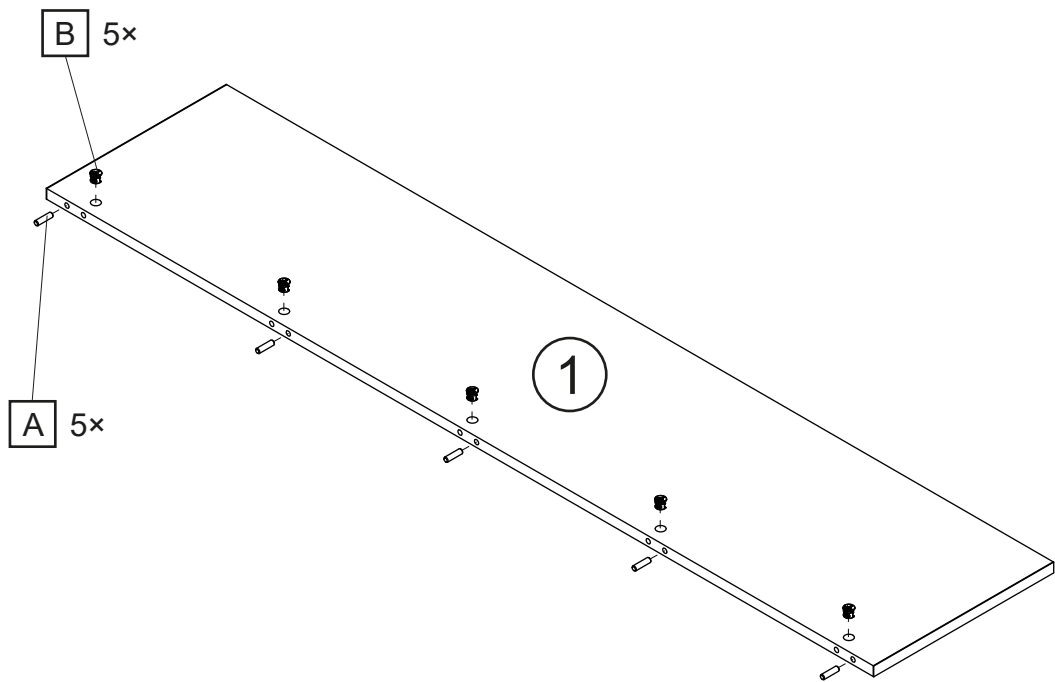
1



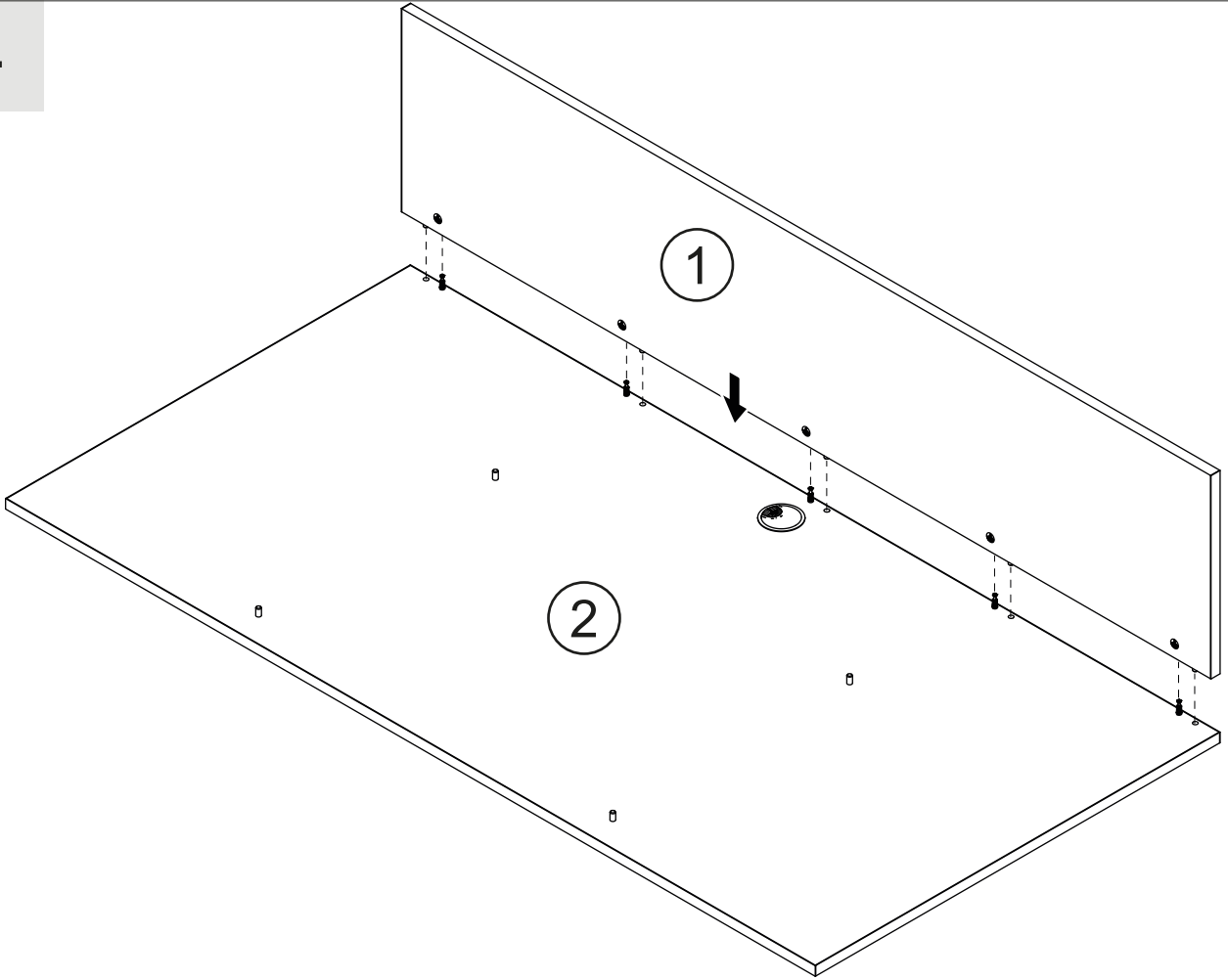
2



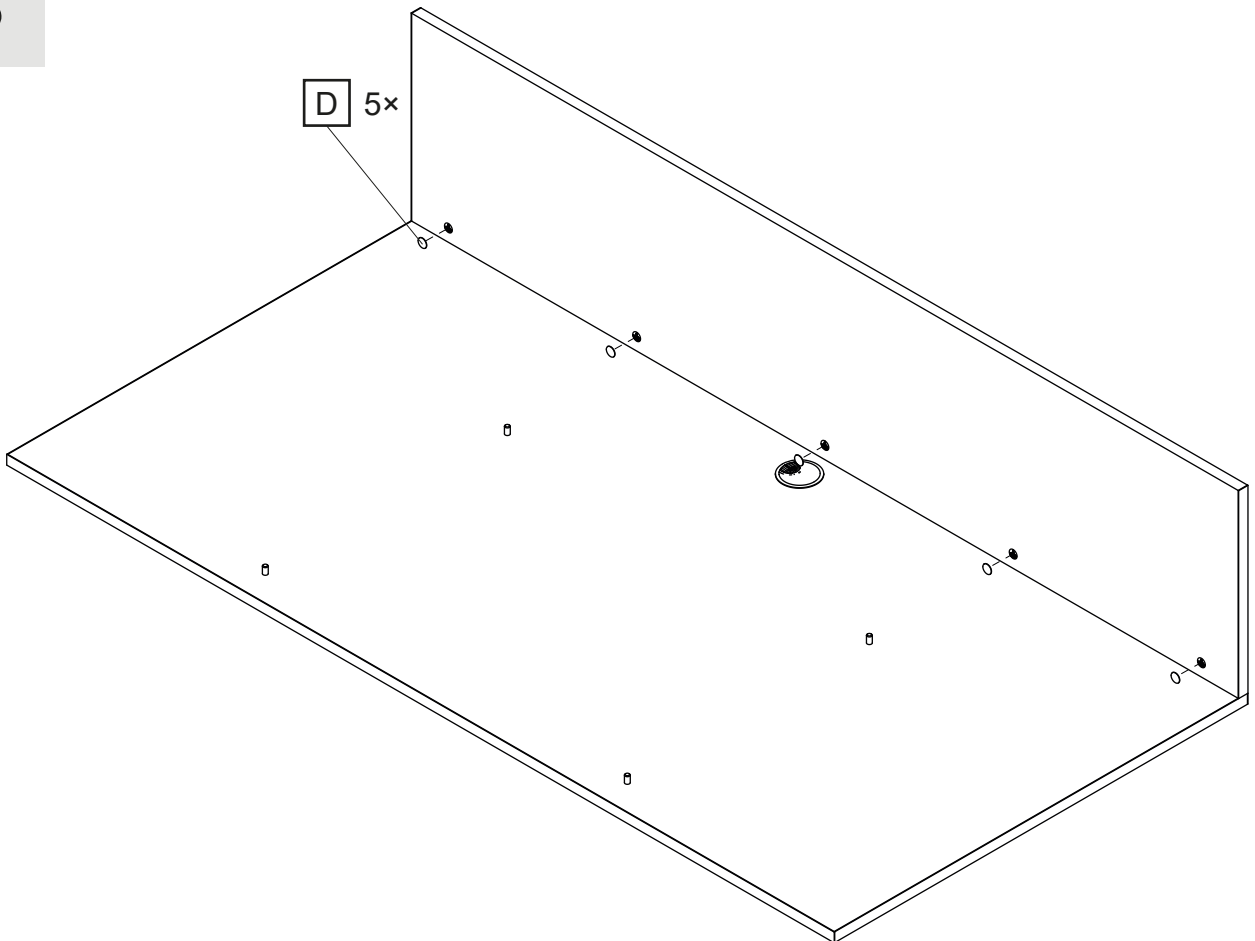
3



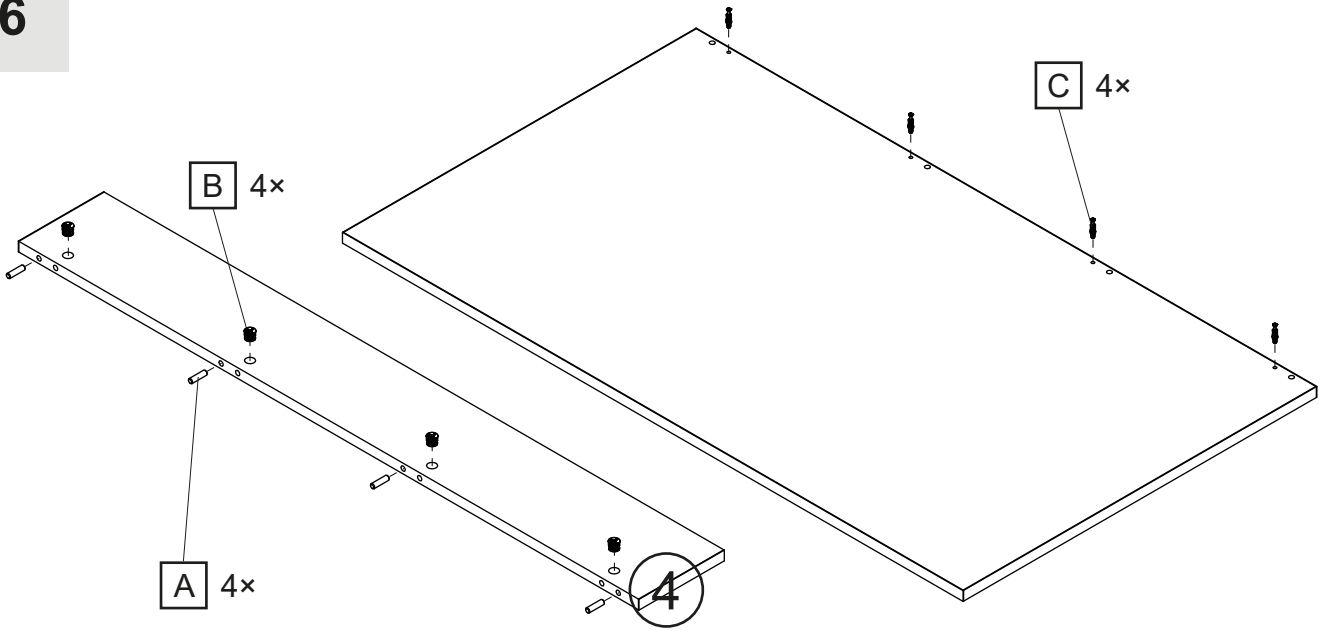
4



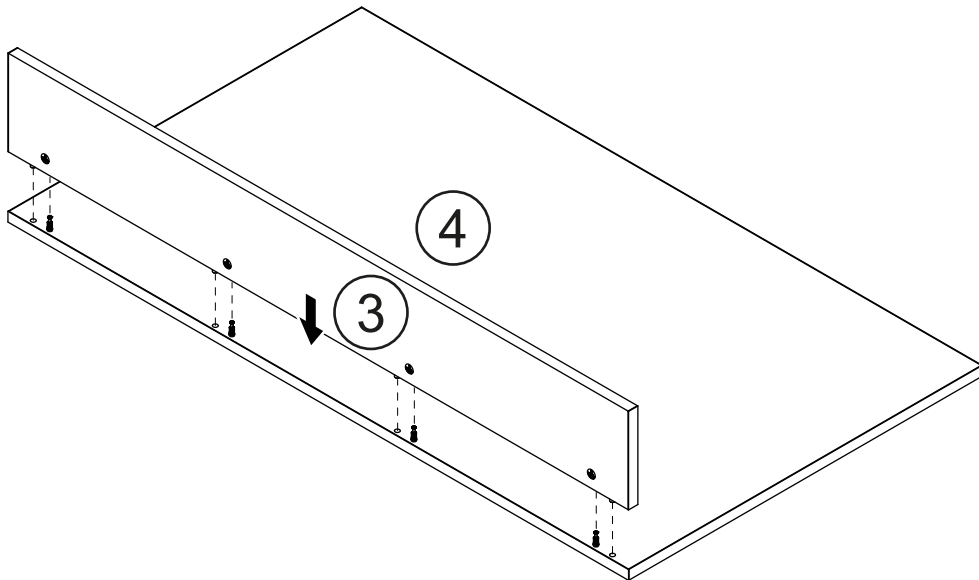
5



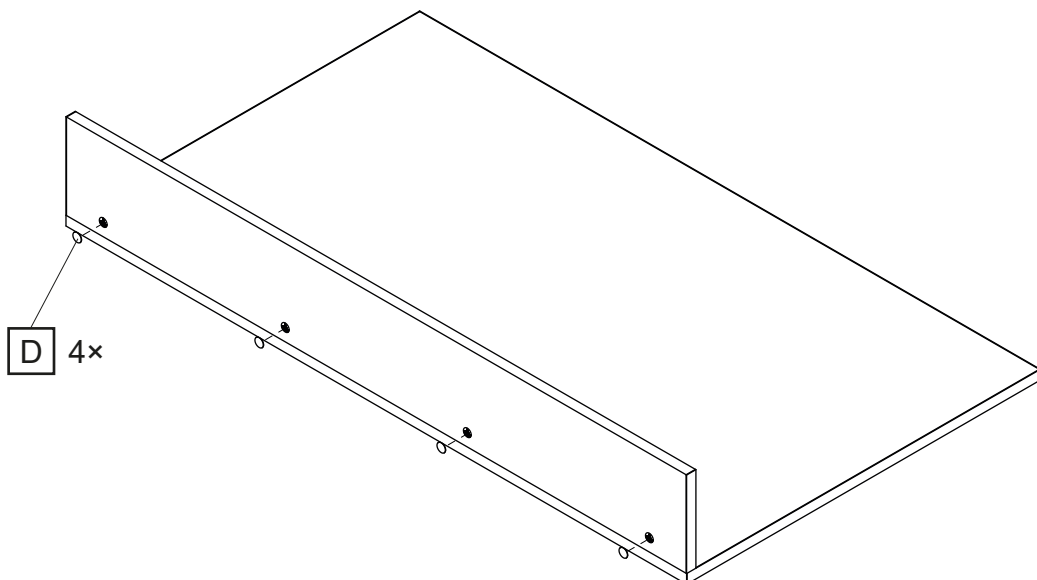
6



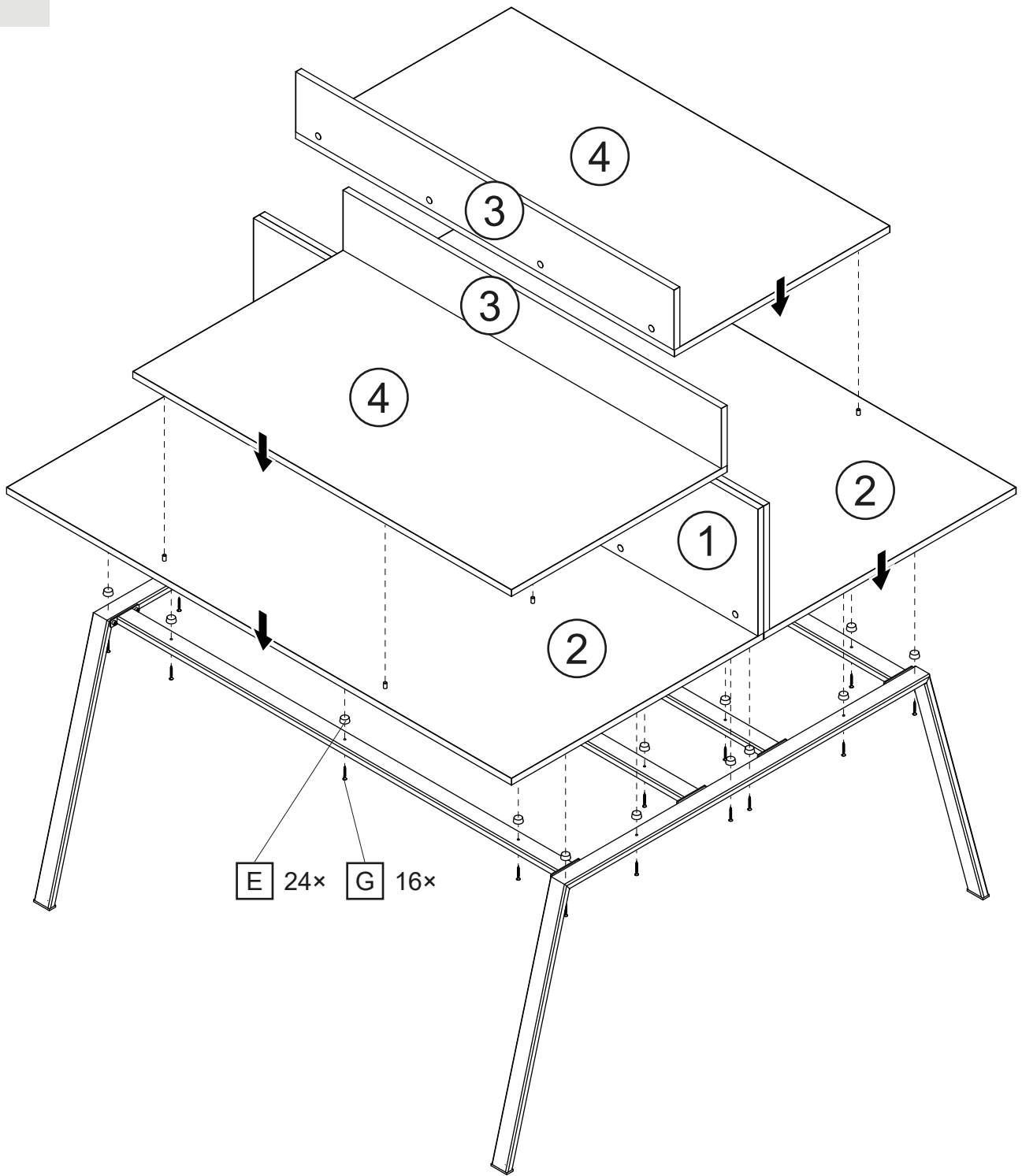
7



8



9



!

