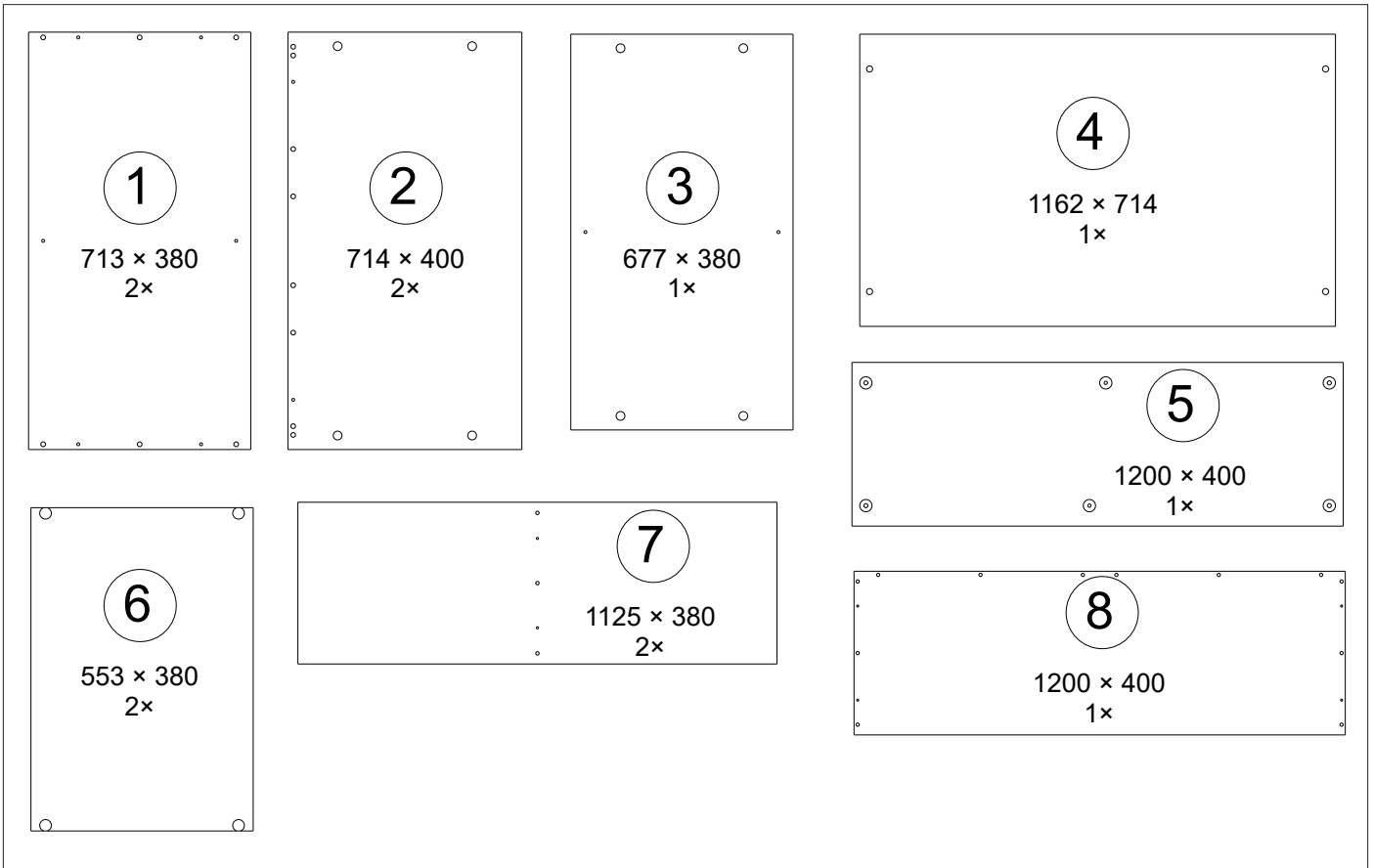
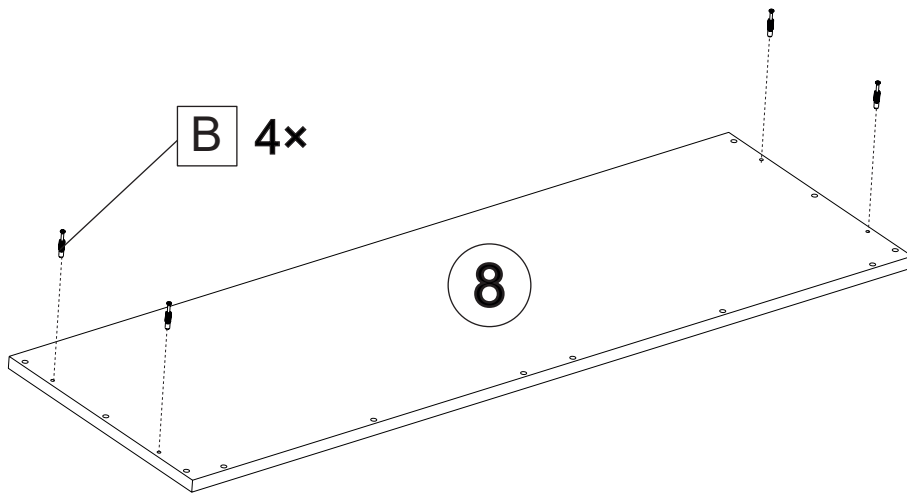
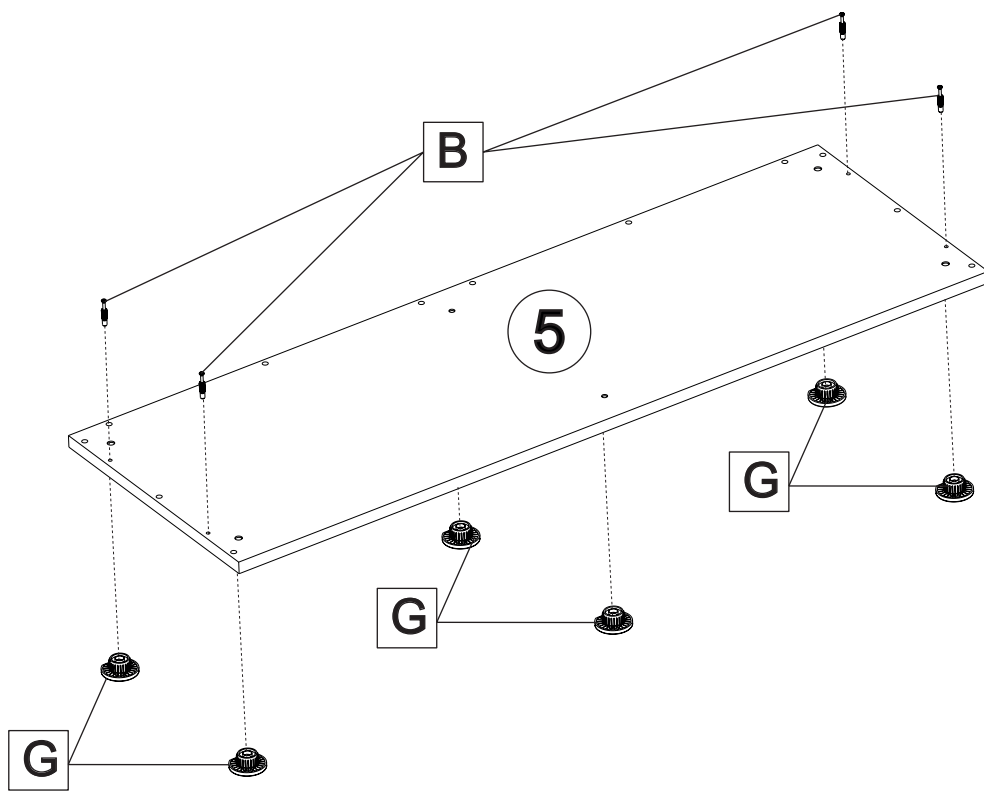

Ø8 × 35						
A 62×	B 24×	C 24×	D 24×	E 8×	F 8×	G 6×



1

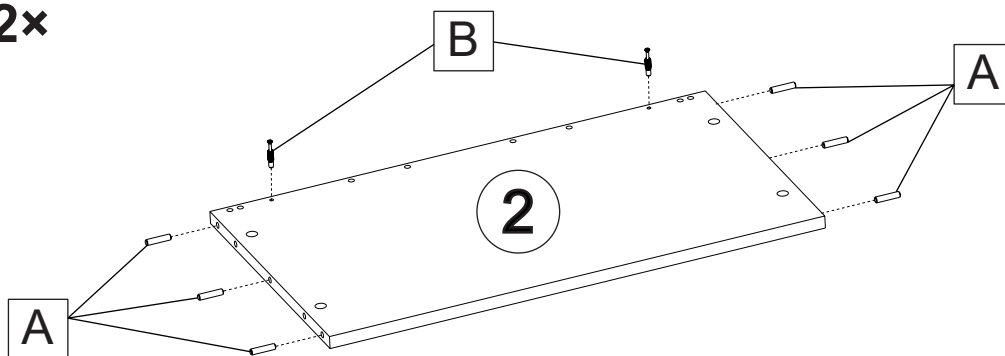


2

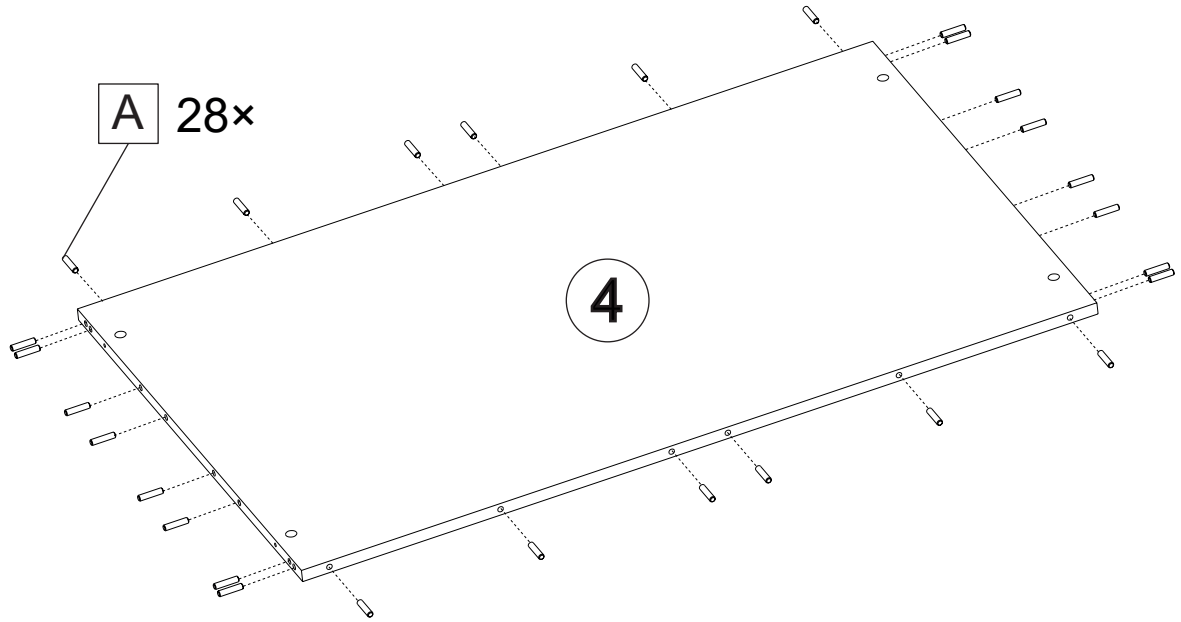


3

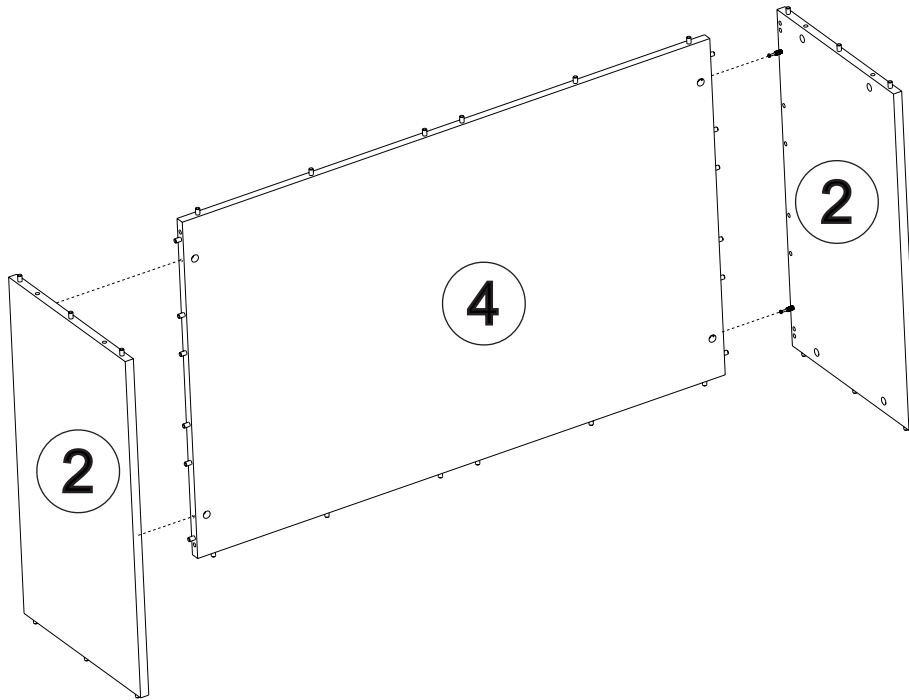
2x



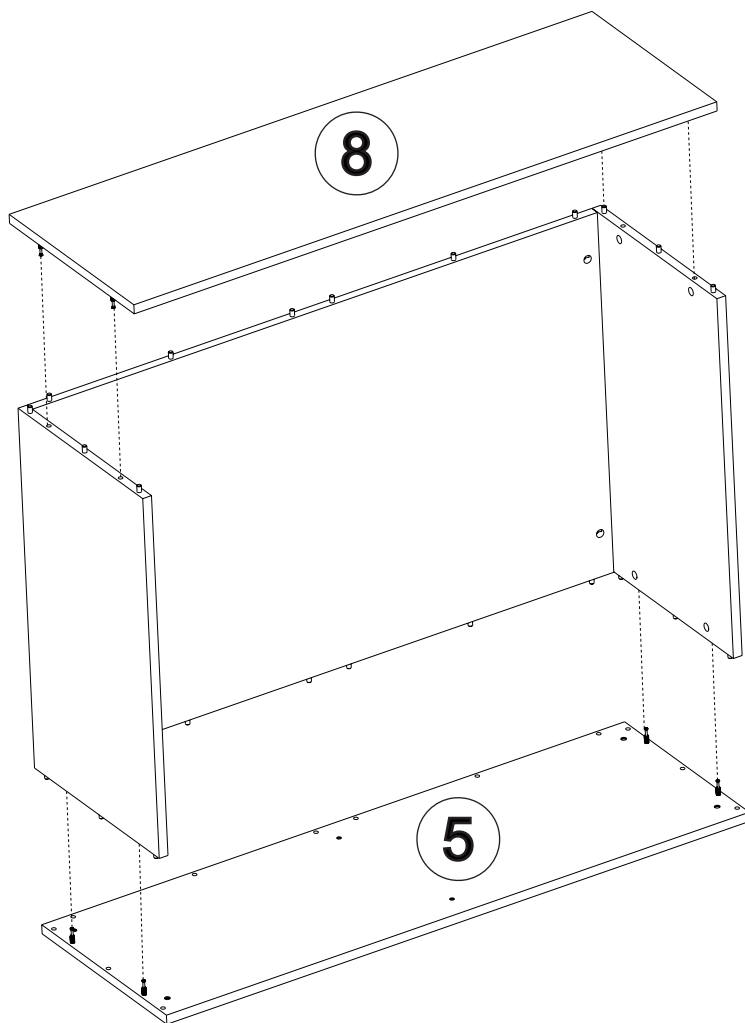
4



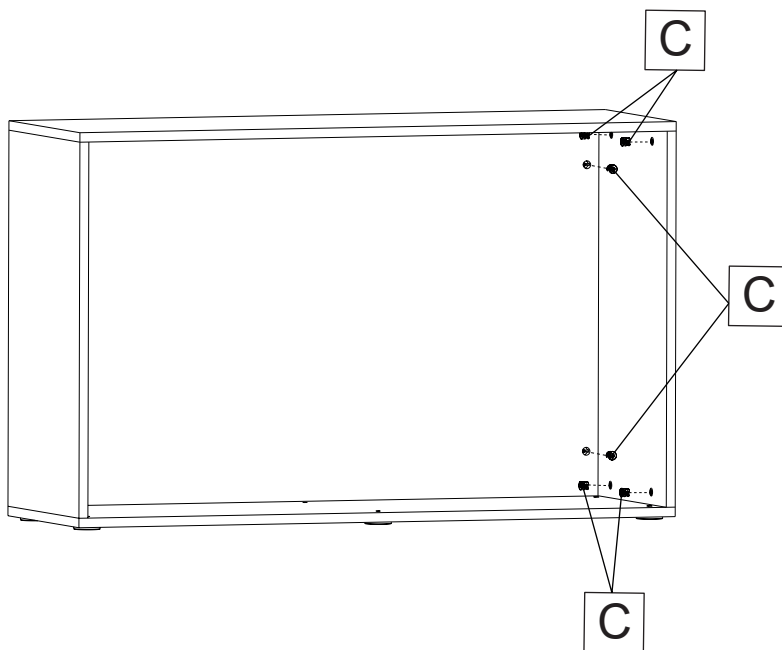
5



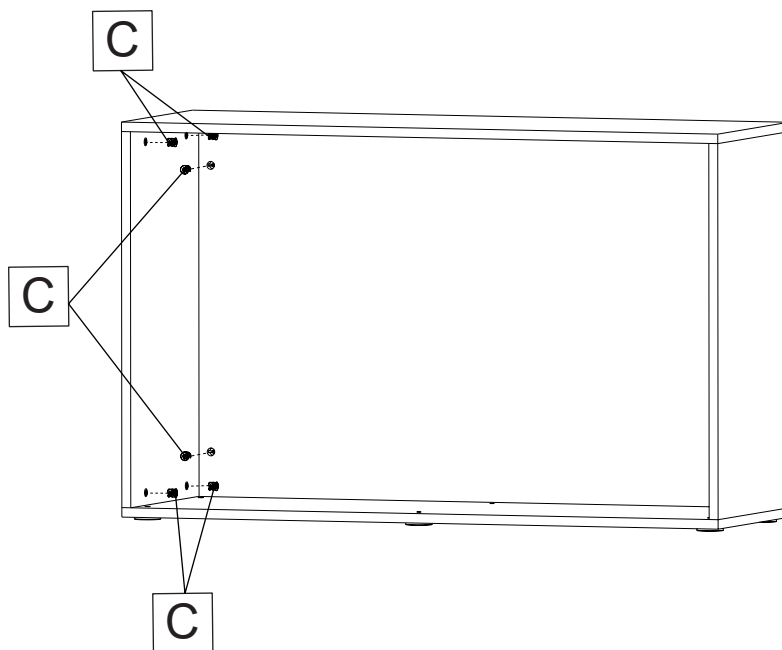
6



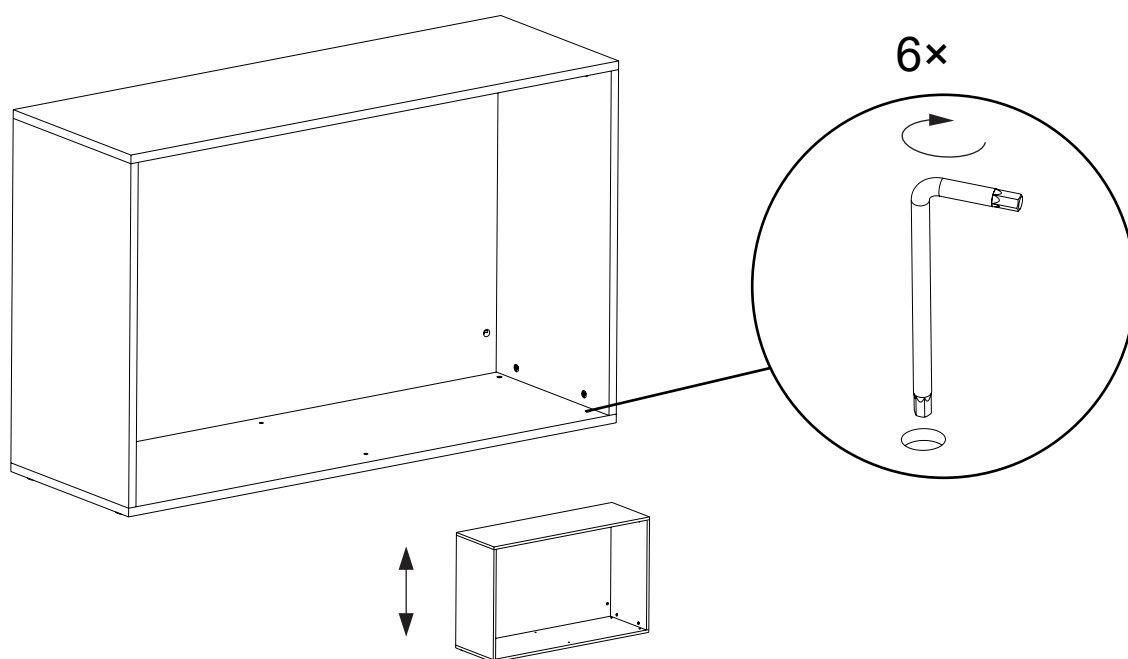
7



8

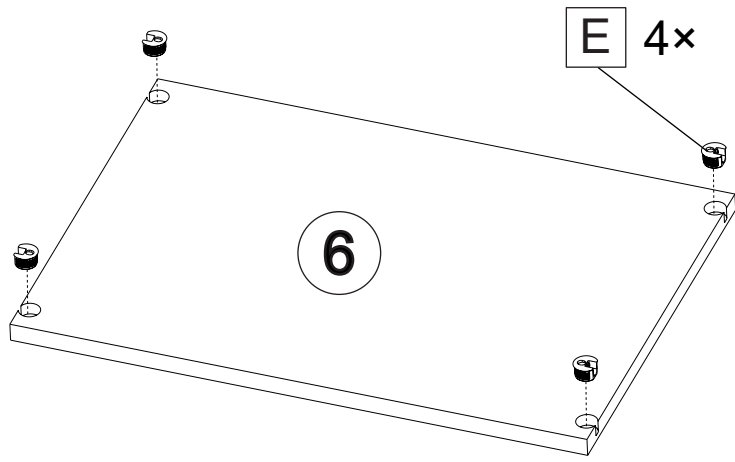


9



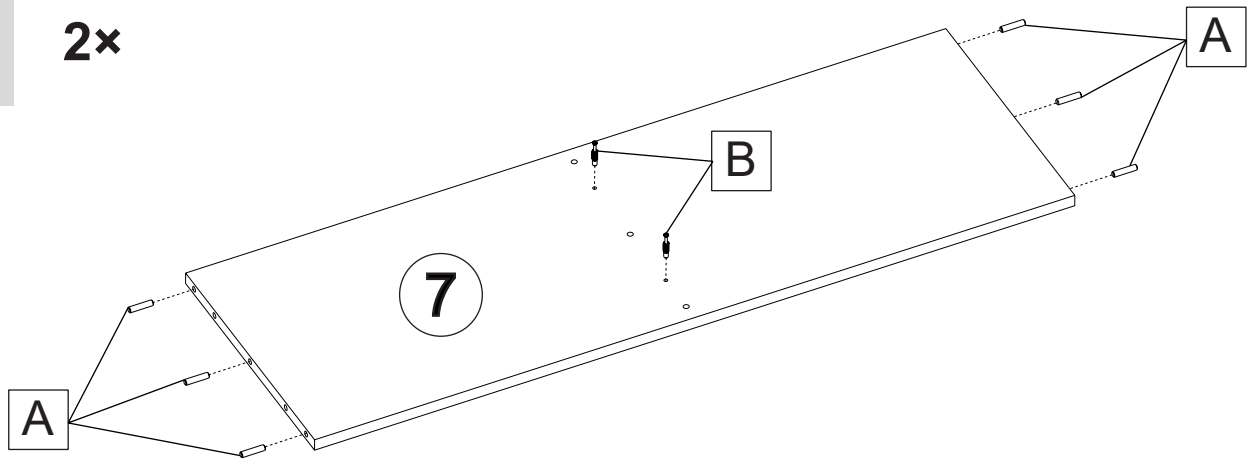
10

2x



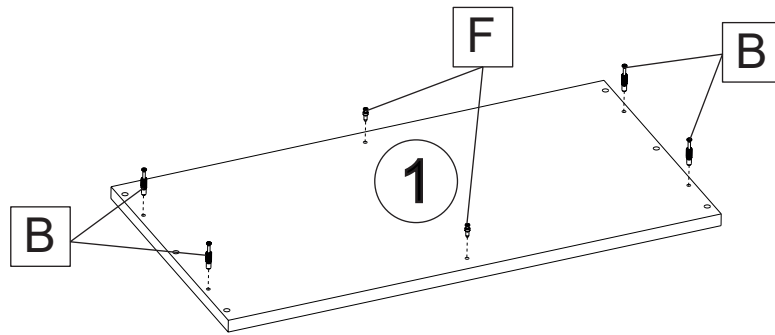
11

2x

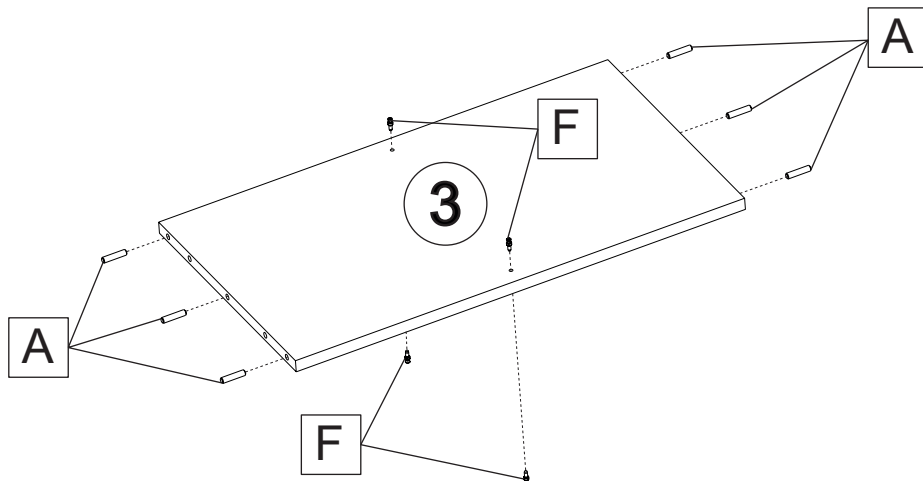


12

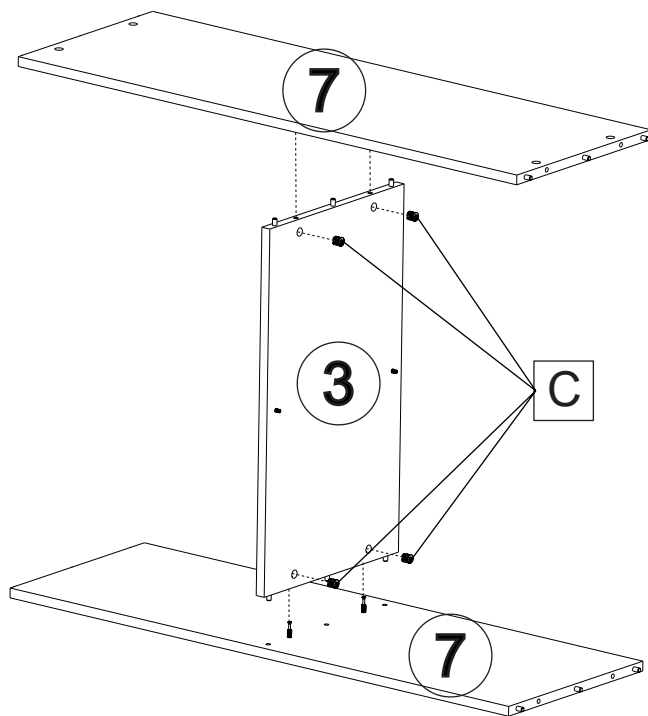
2x



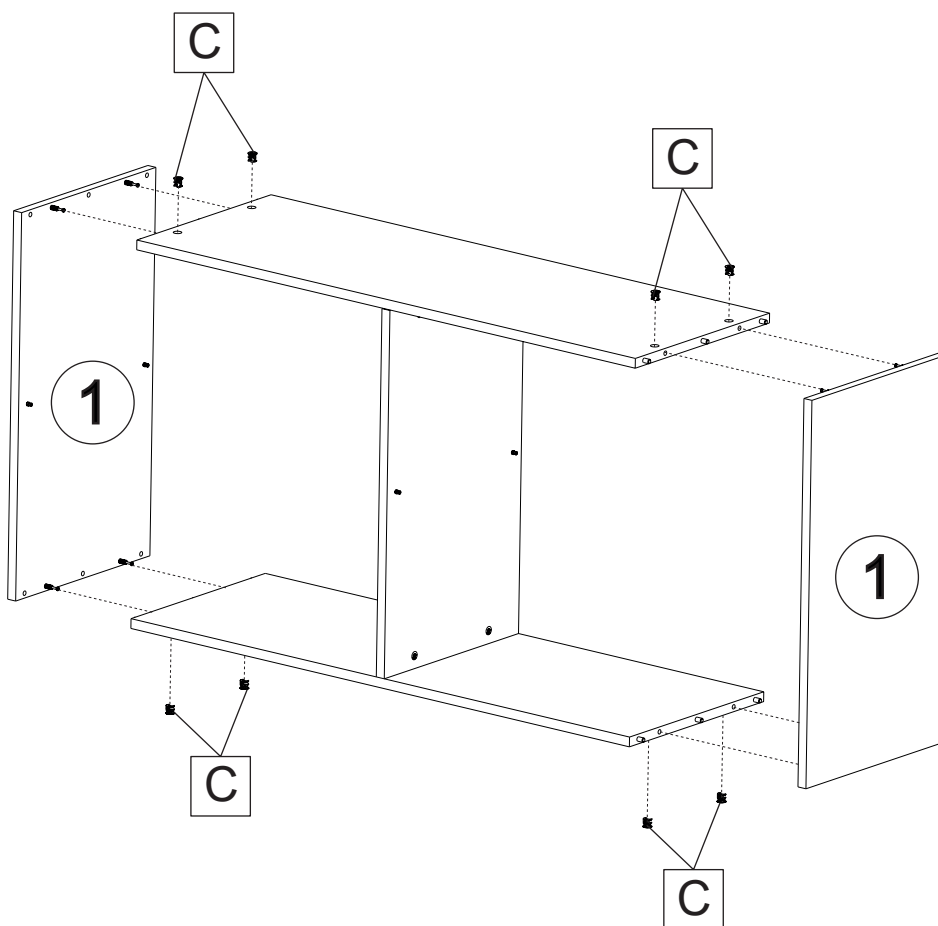
13



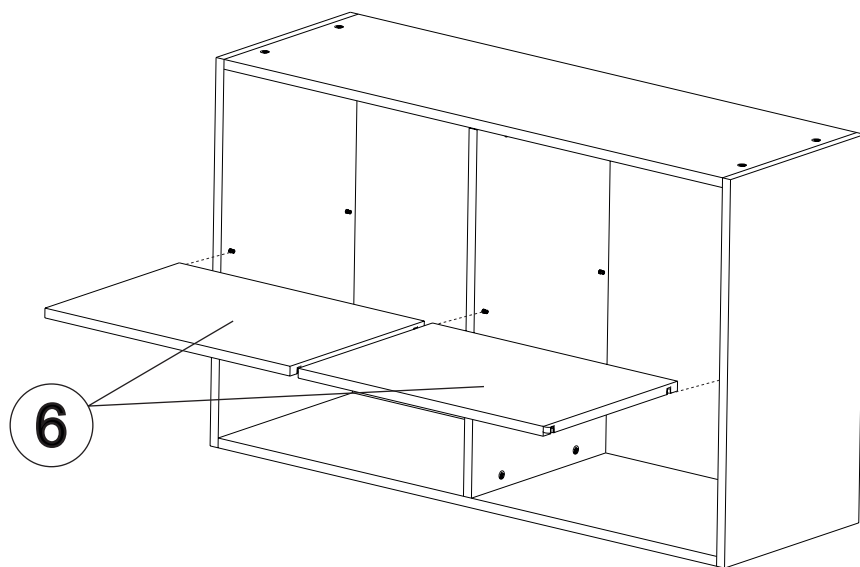
14



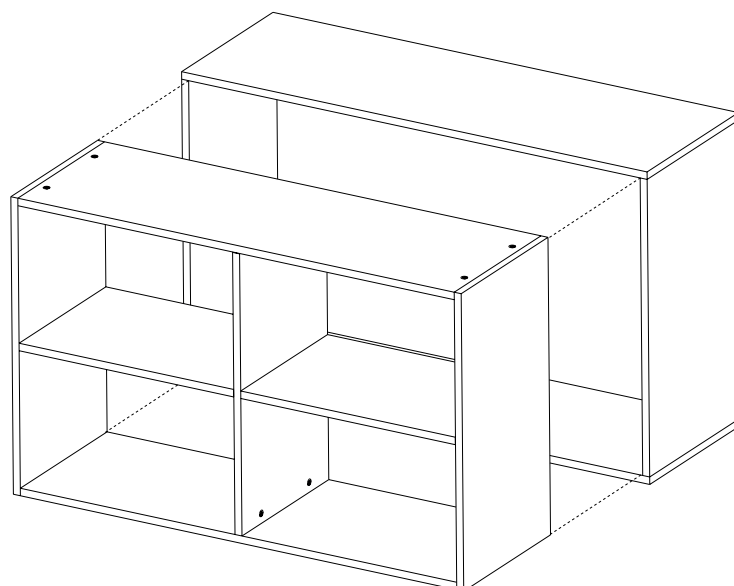
15



16



17



18

