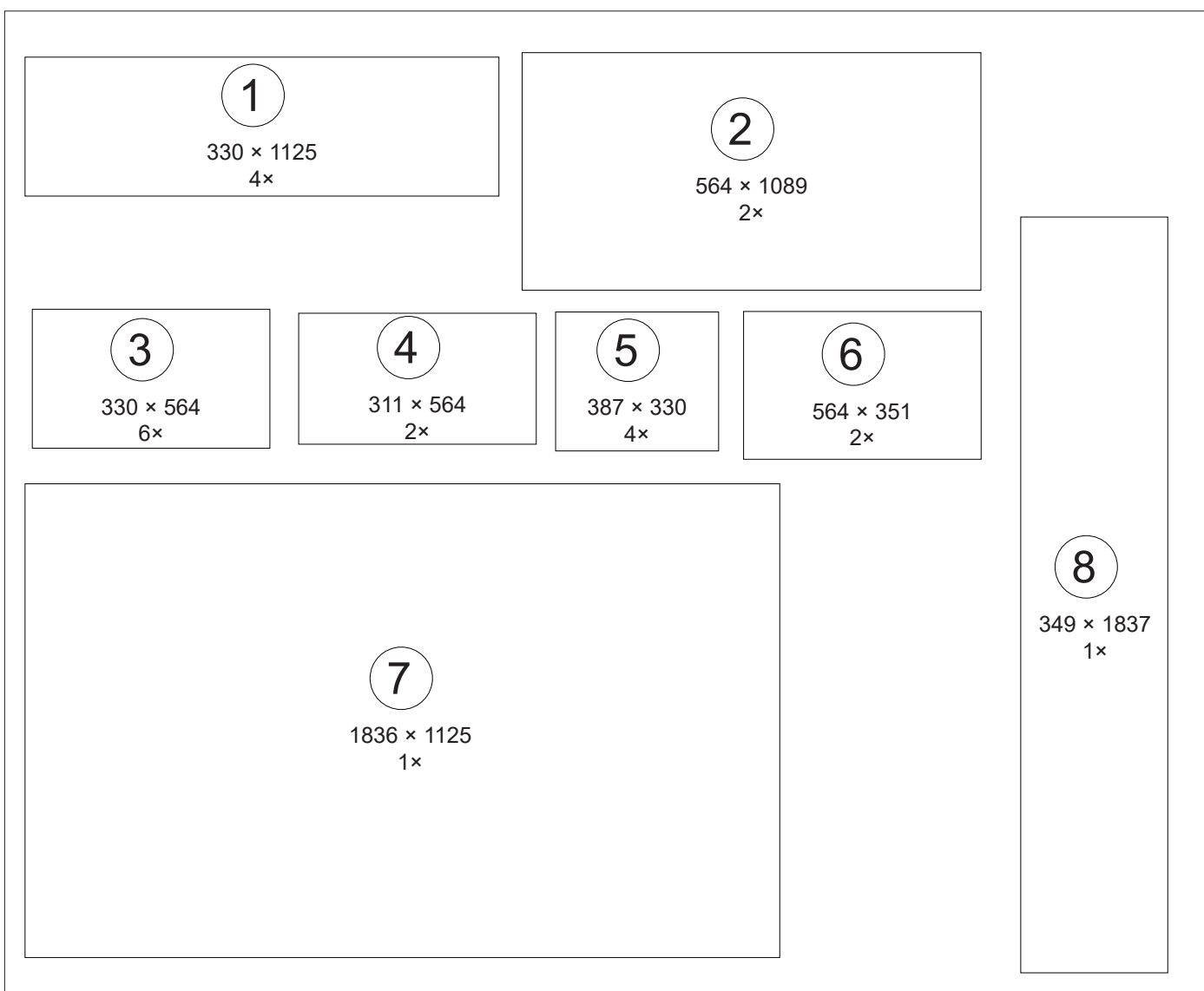
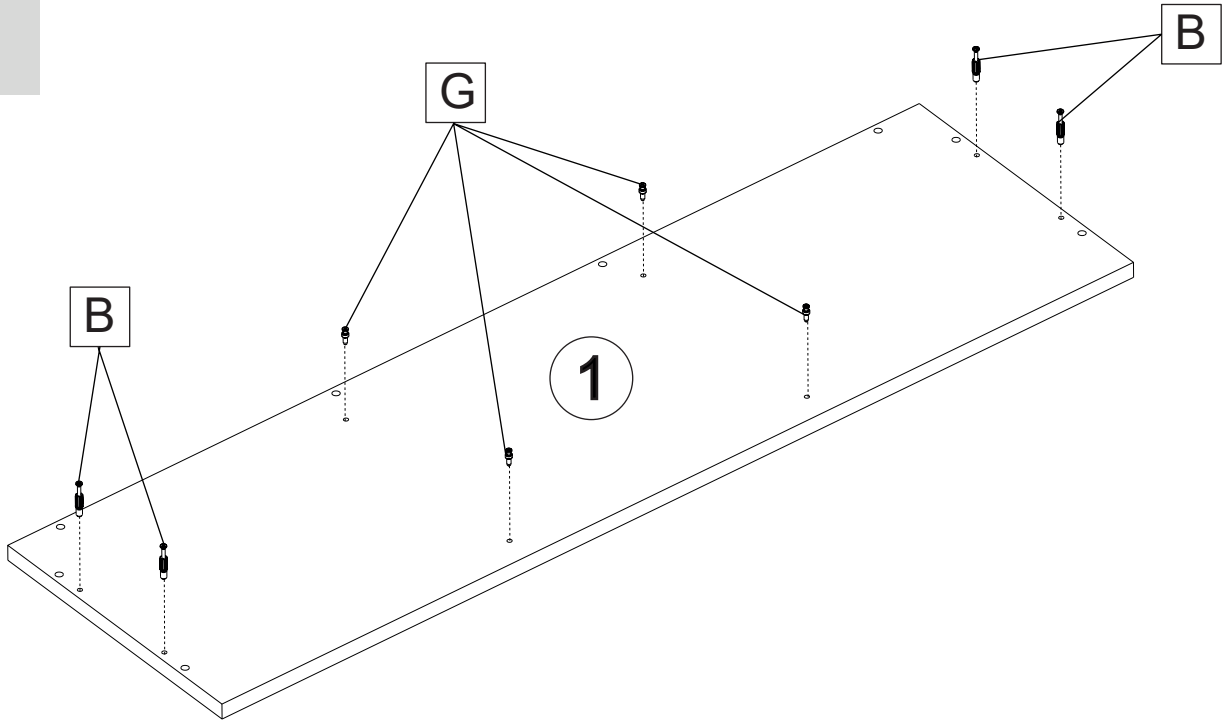
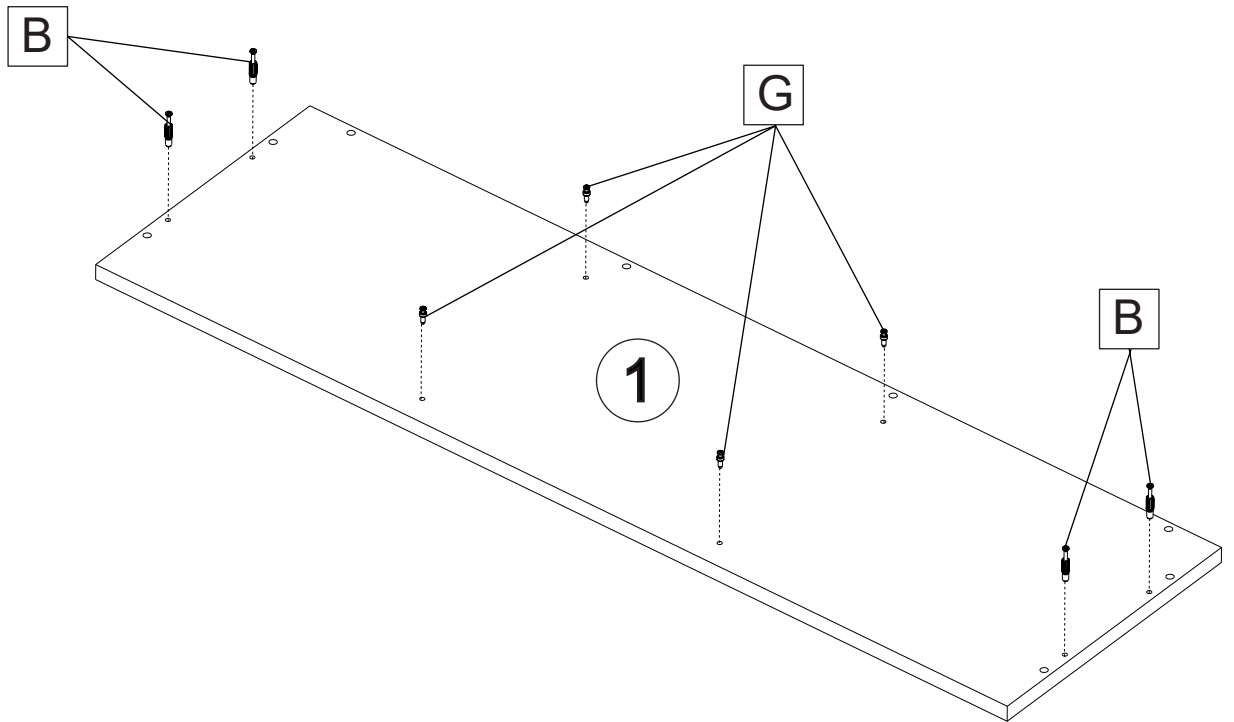

Ø8 × 35				Ø8 × 27			
A 75×	B 37×	C 37×	D 37×	E 3×	F 8×	G 8×	H 4×



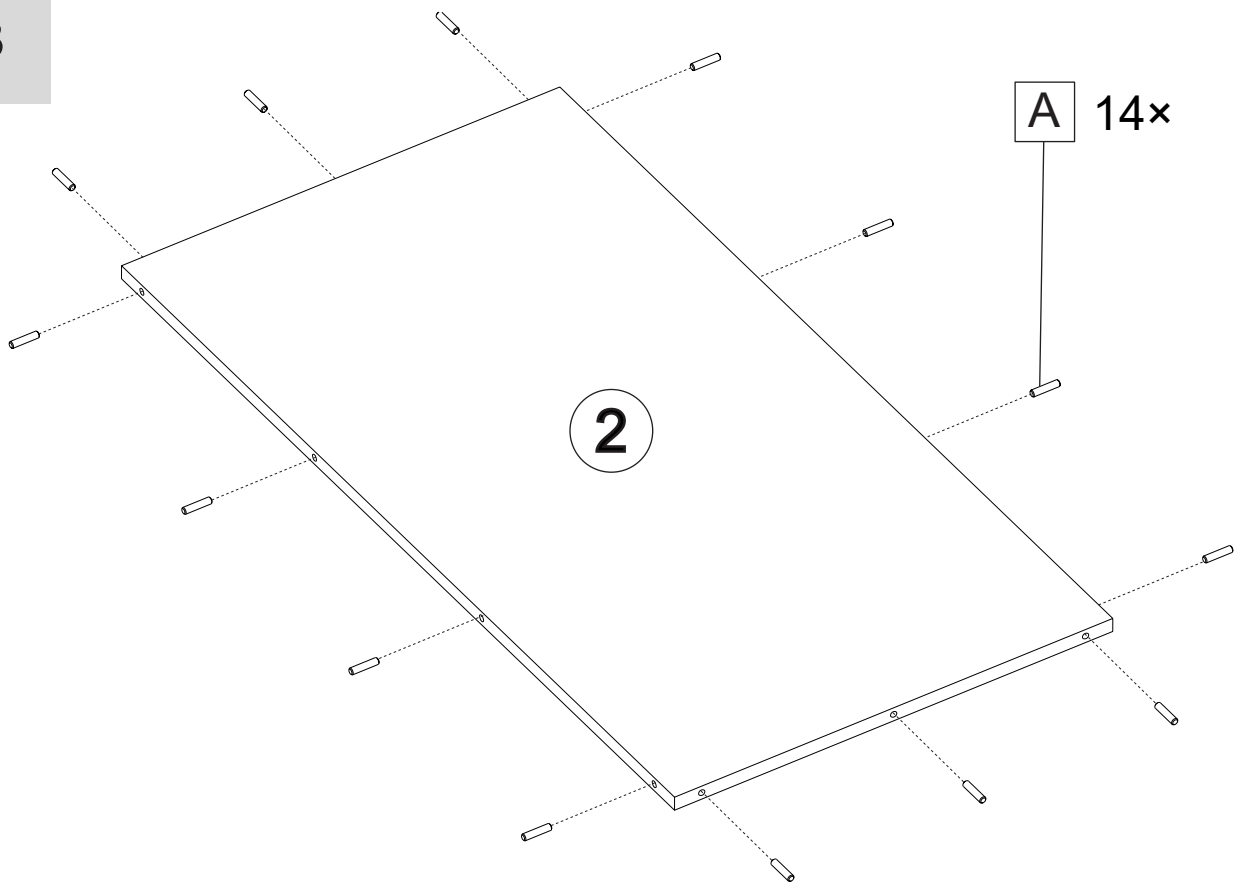
1



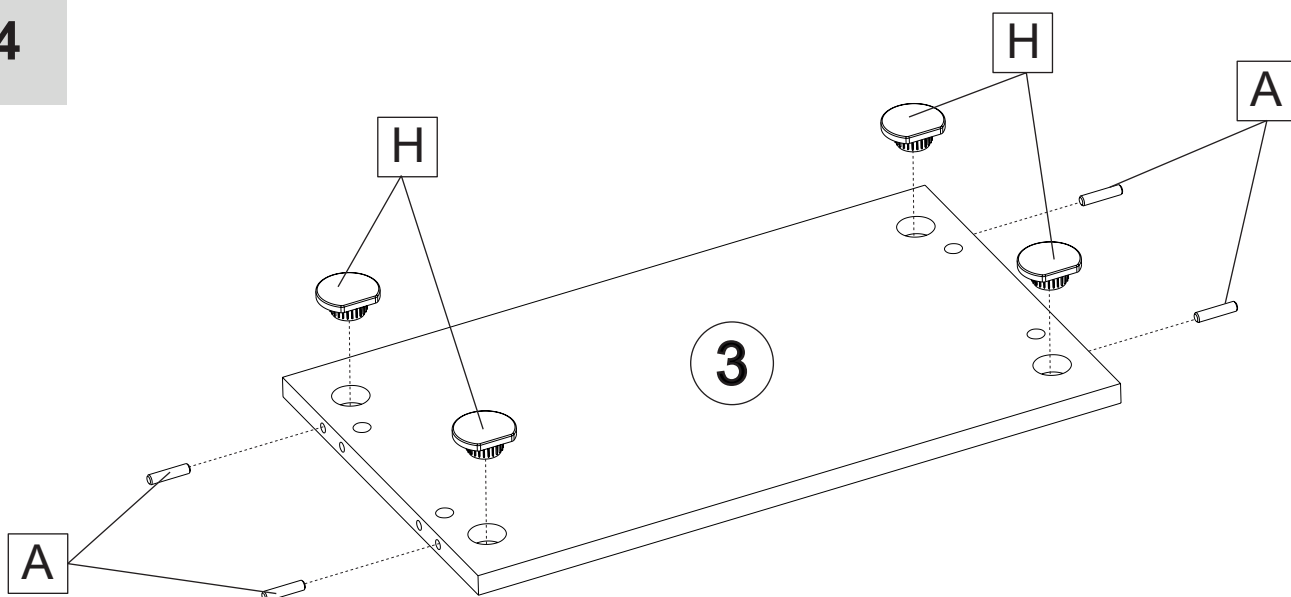
2



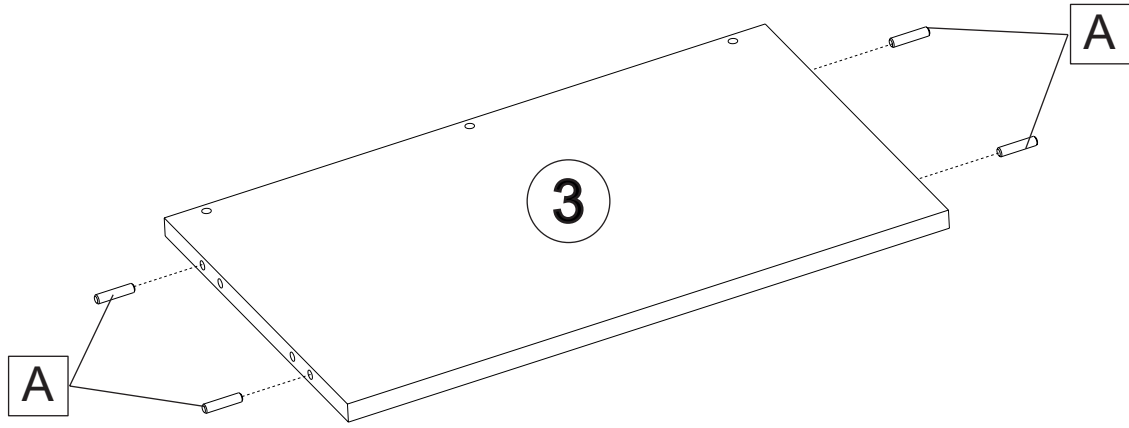
3



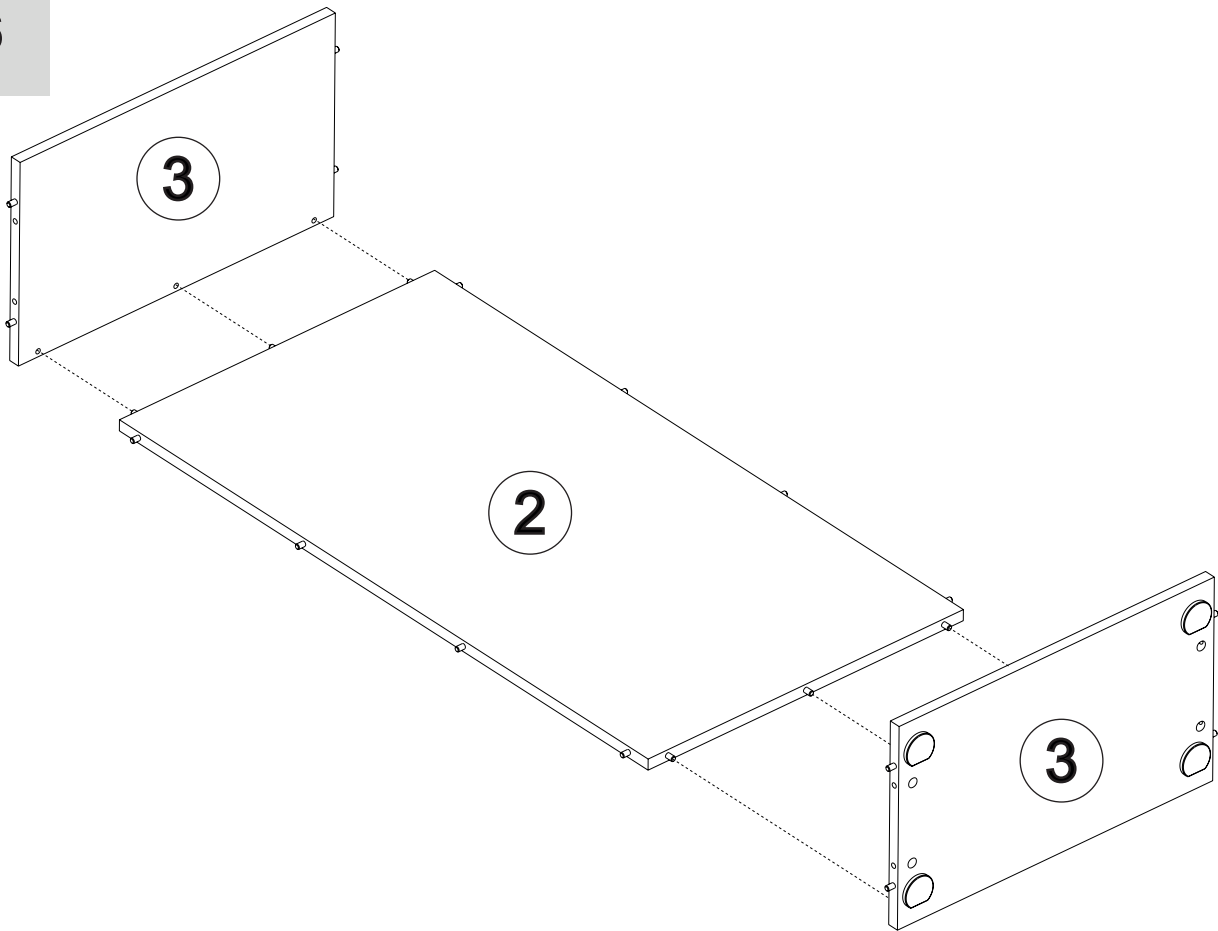
4



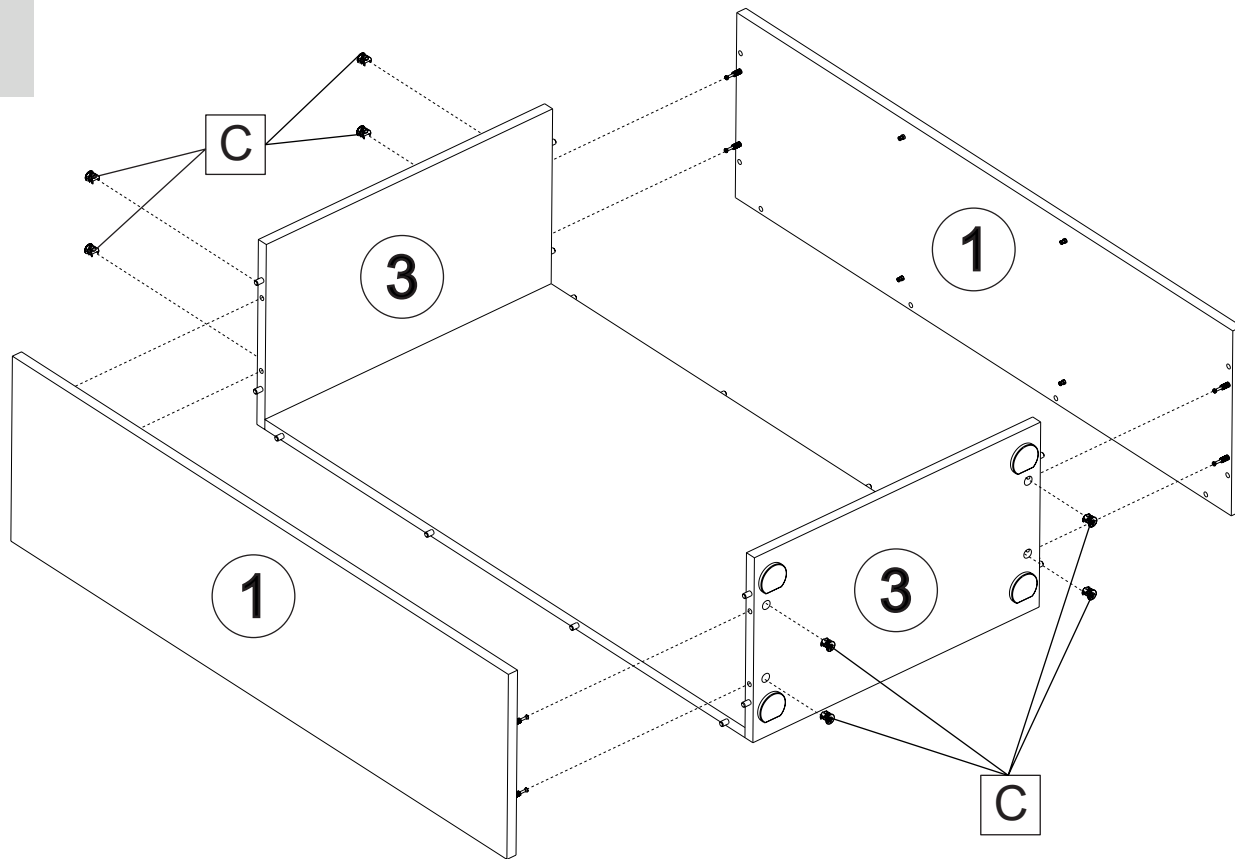
5



6

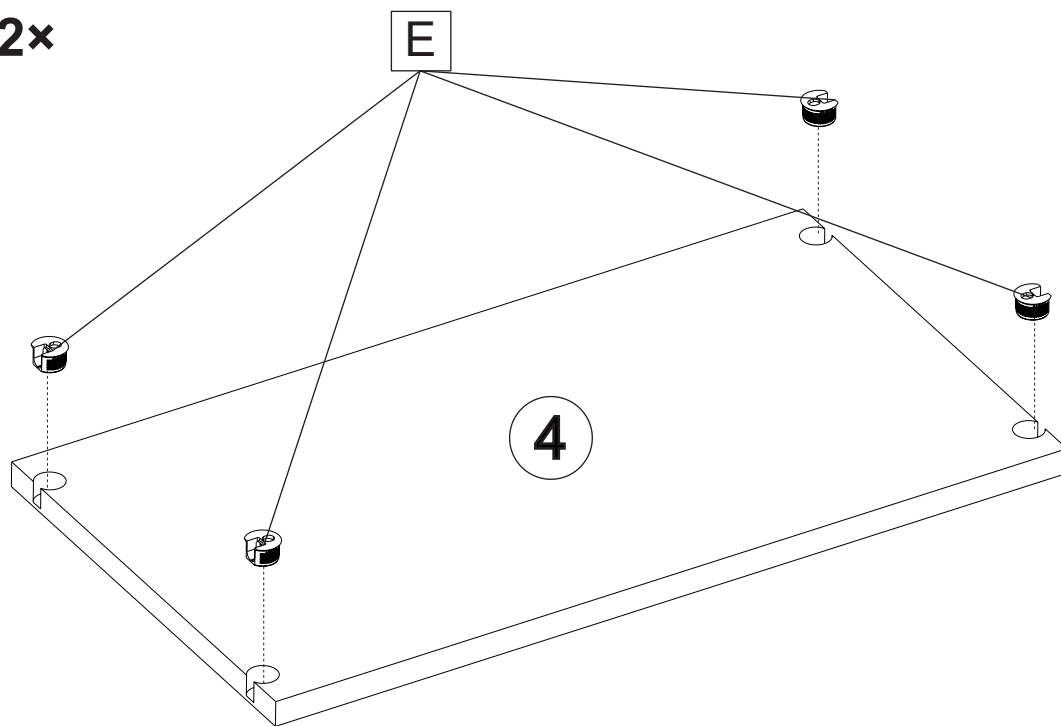


7

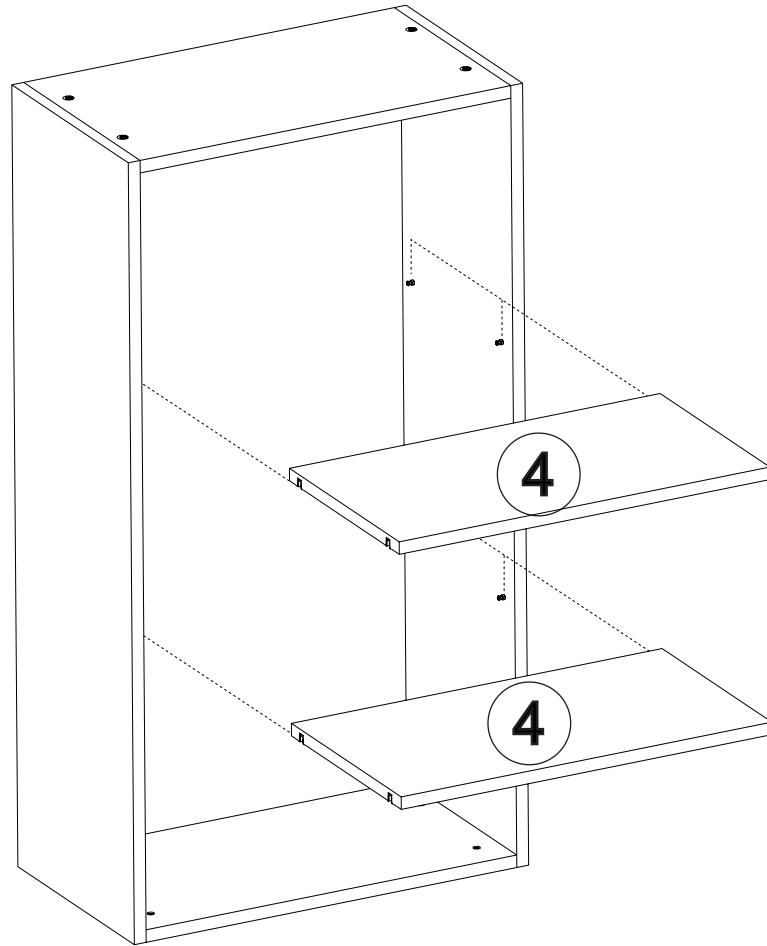


8

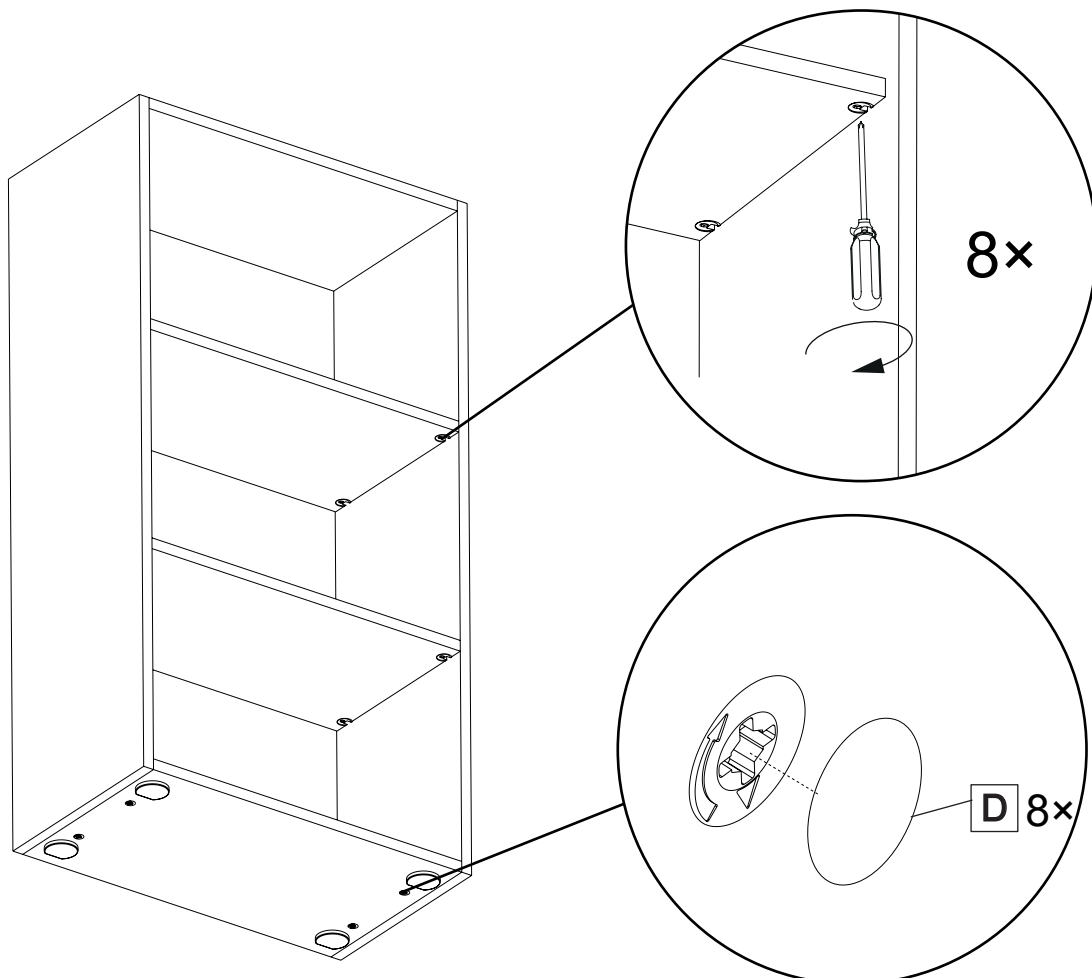
2x



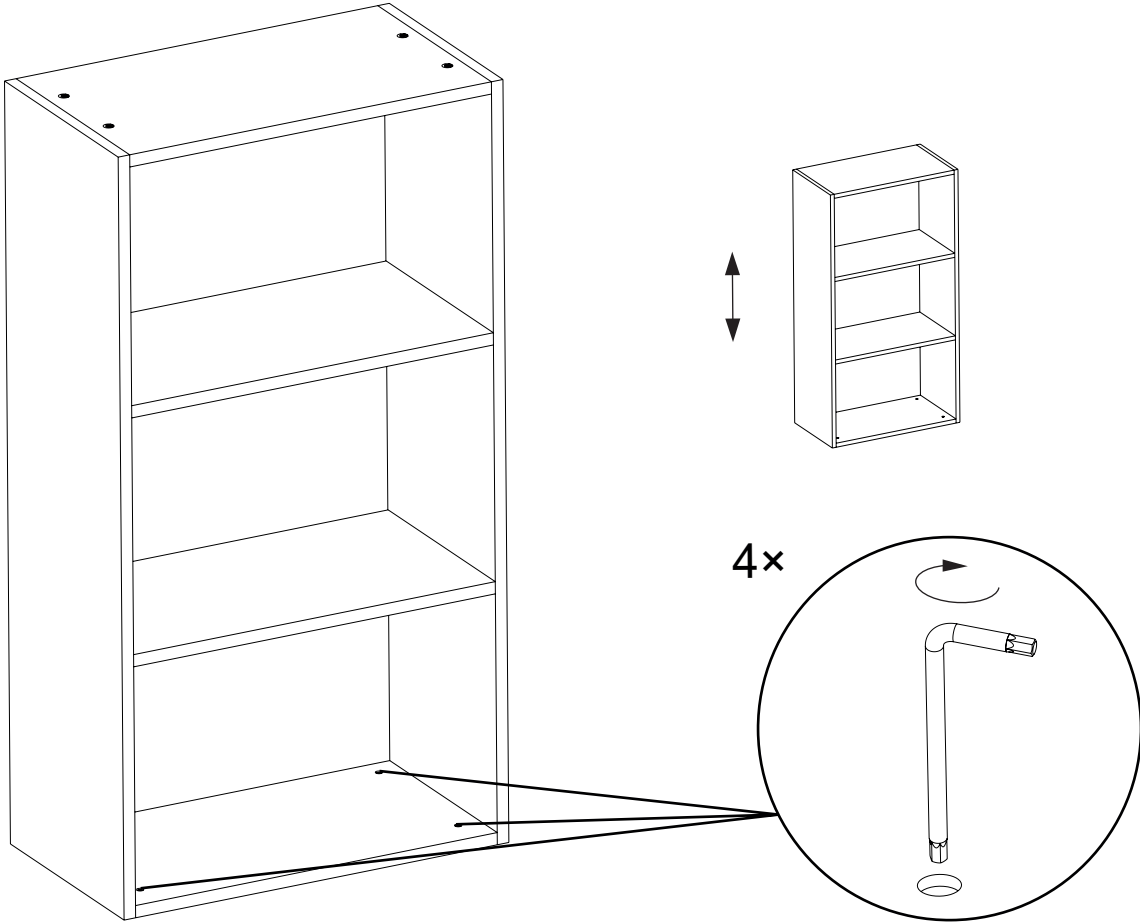
9



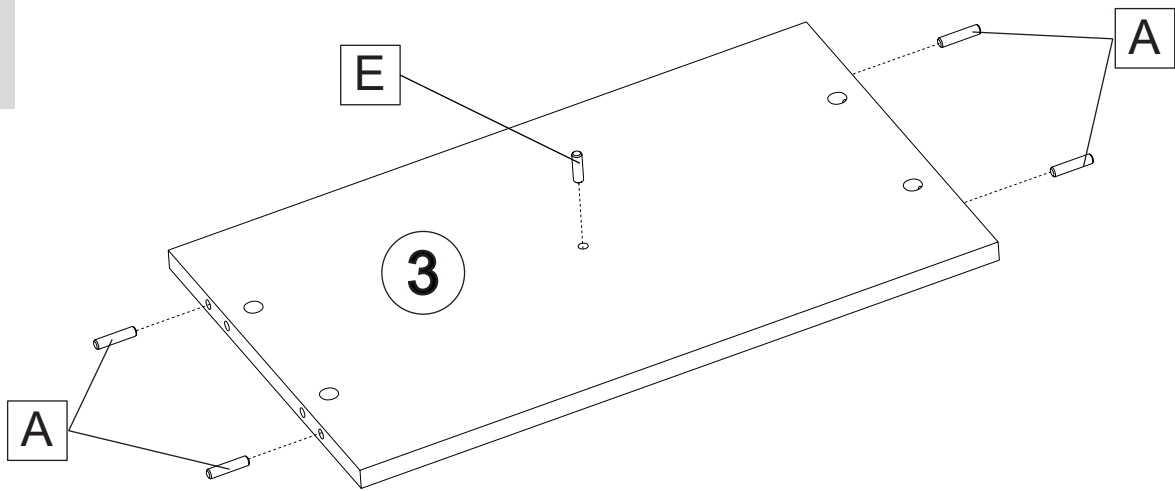
10



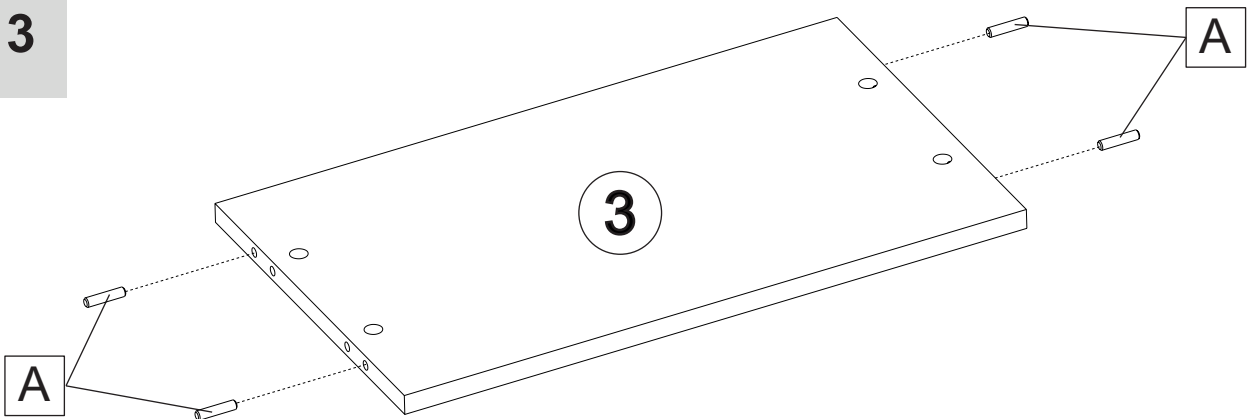
11



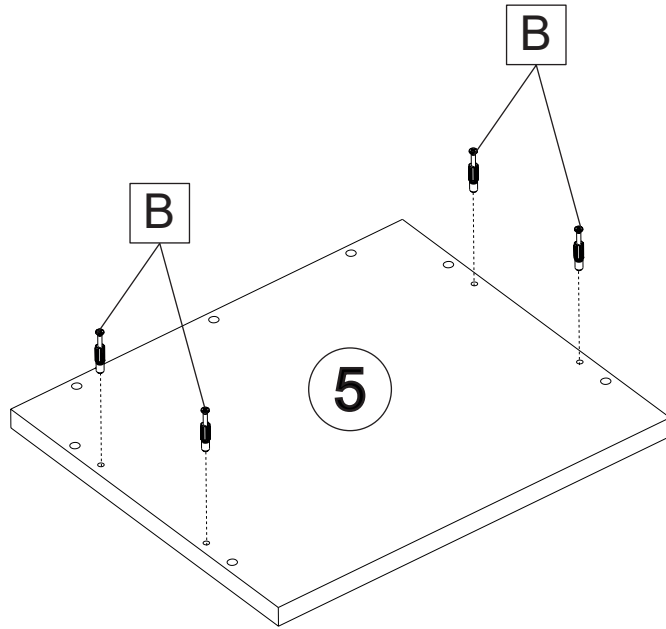
12



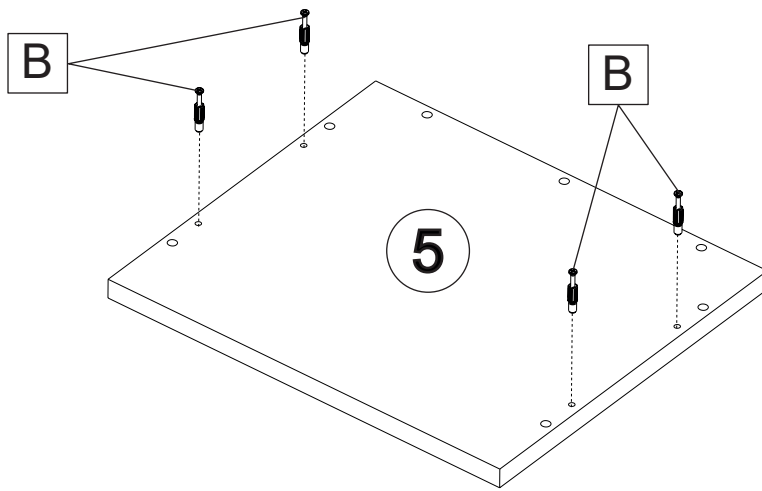
13



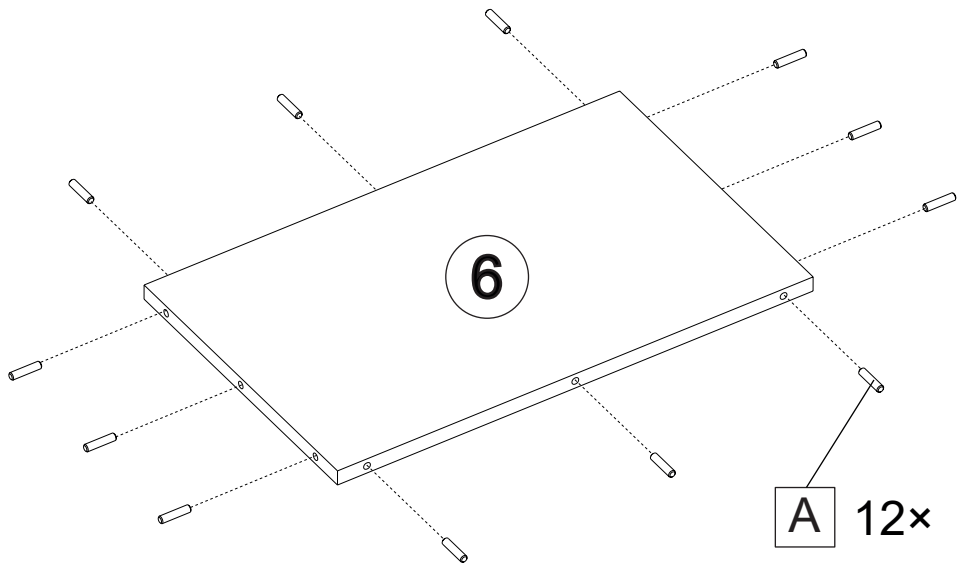
14



15

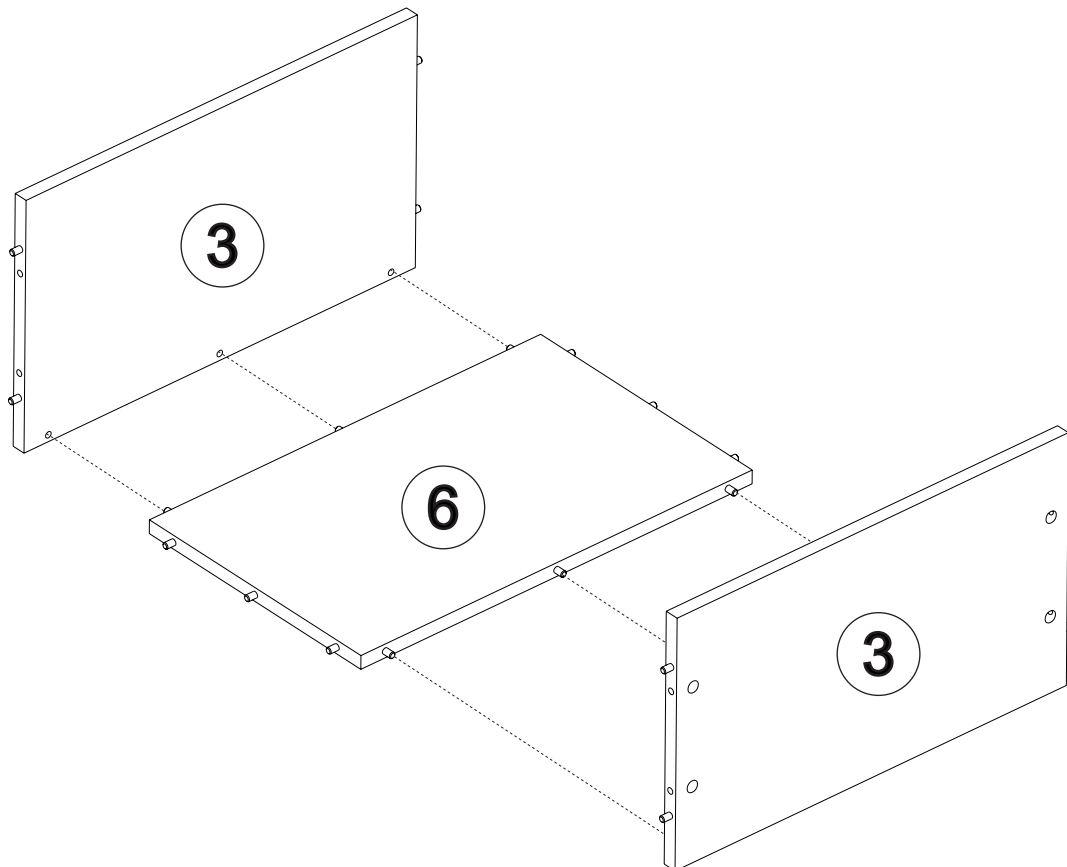


16

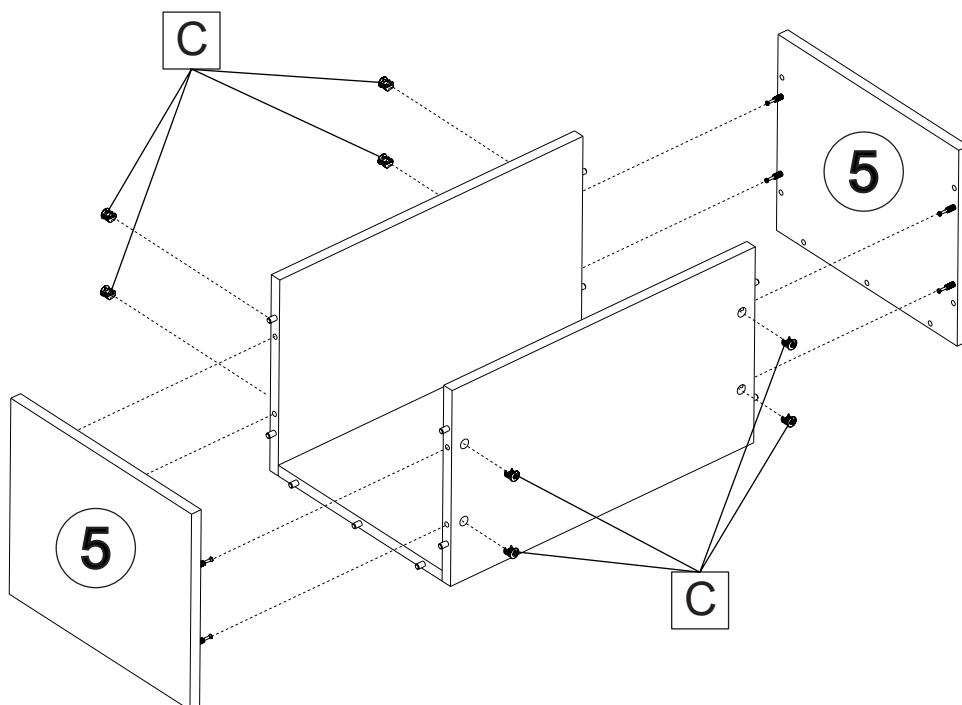




17

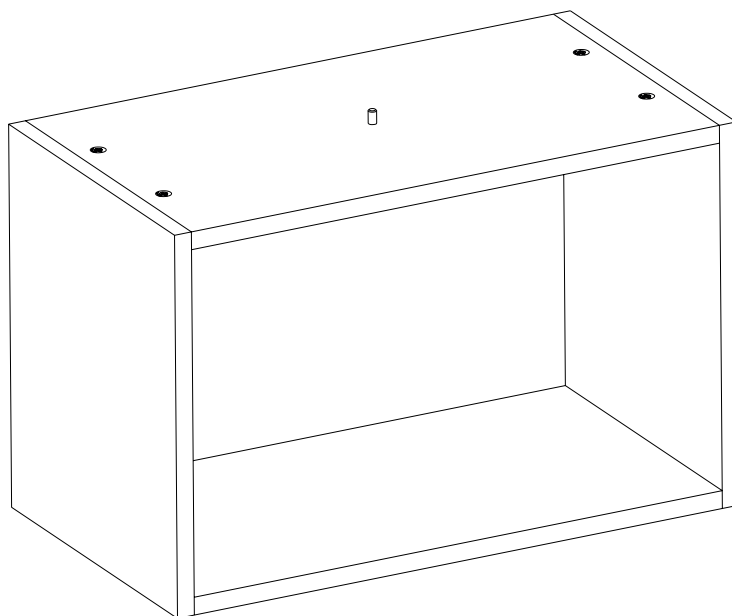


18

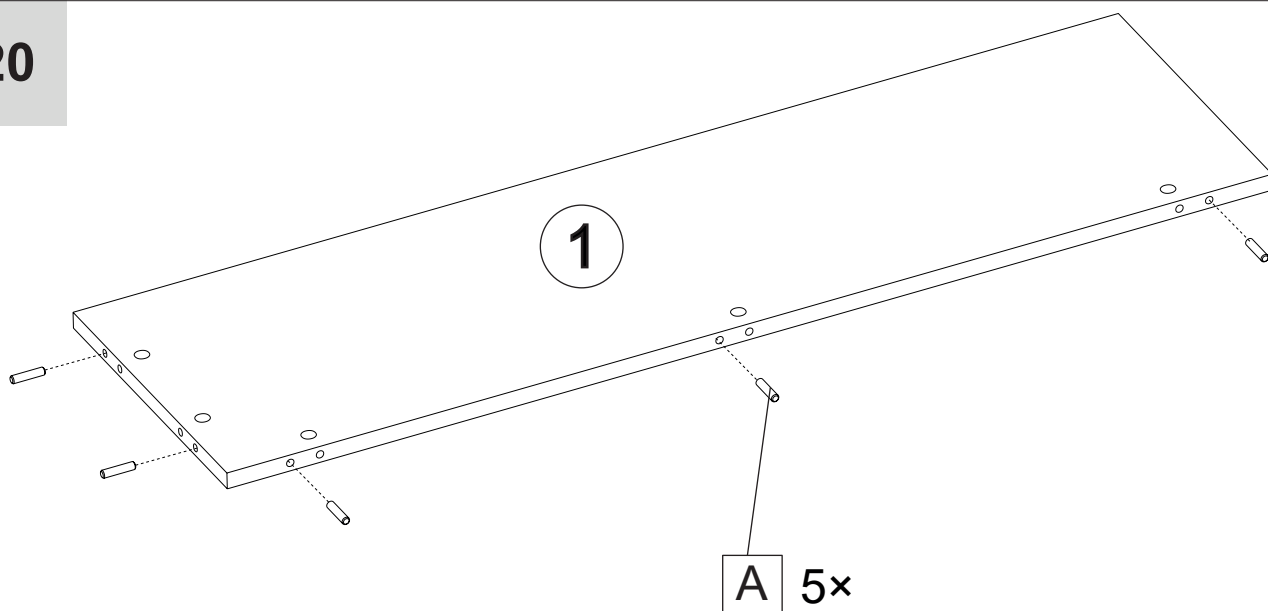


19

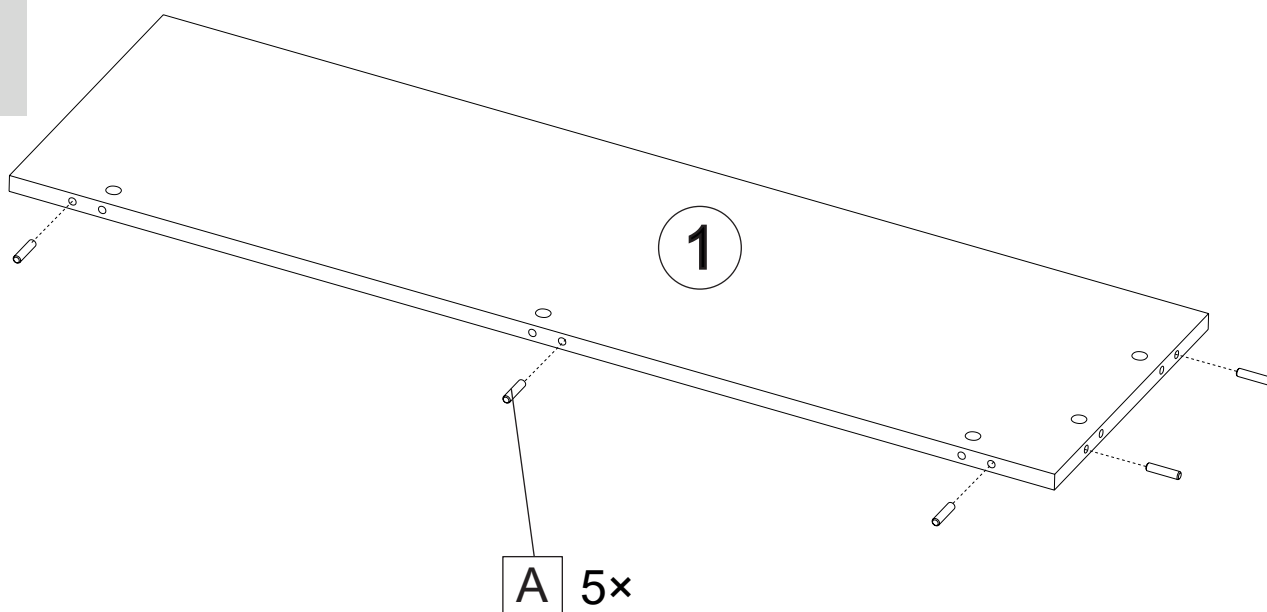
2x



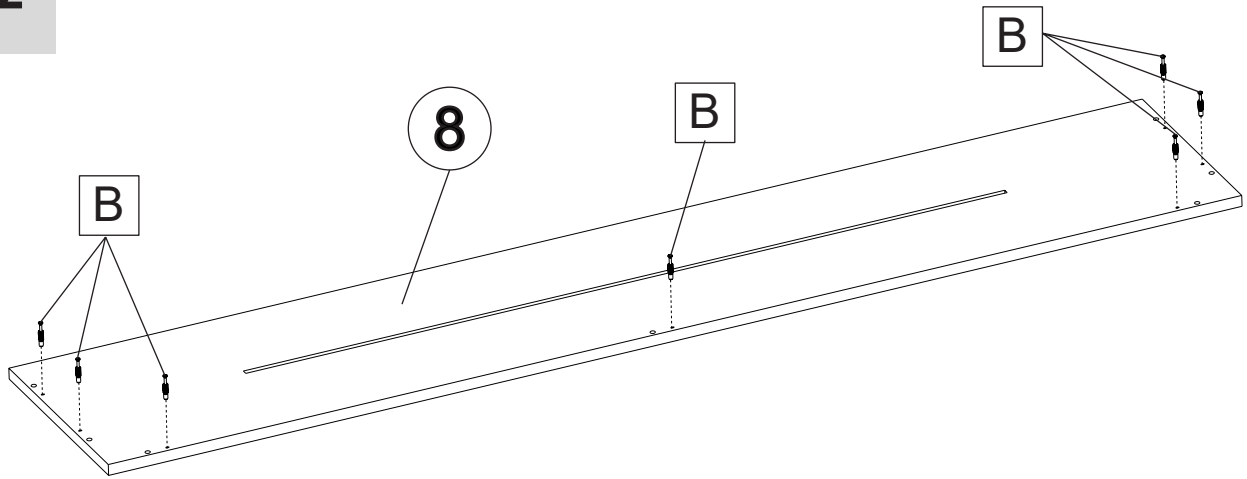
20



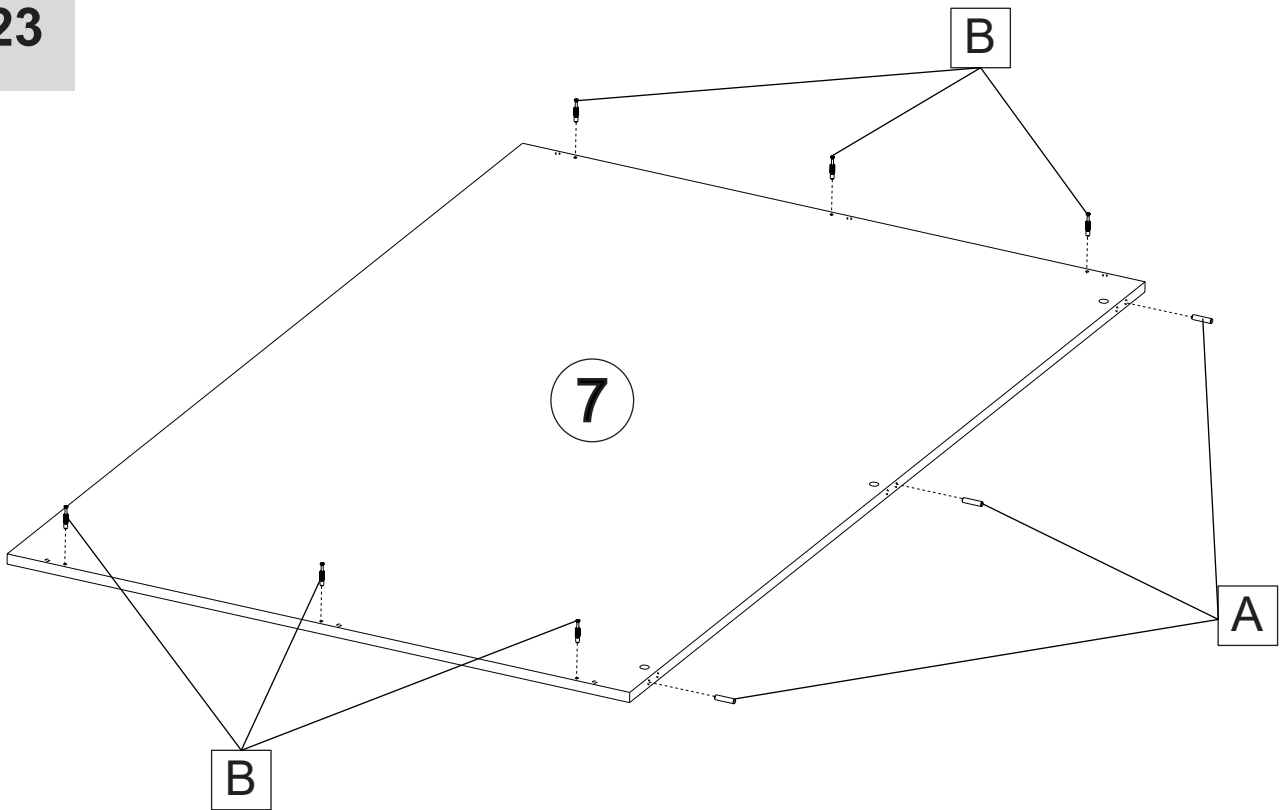
21



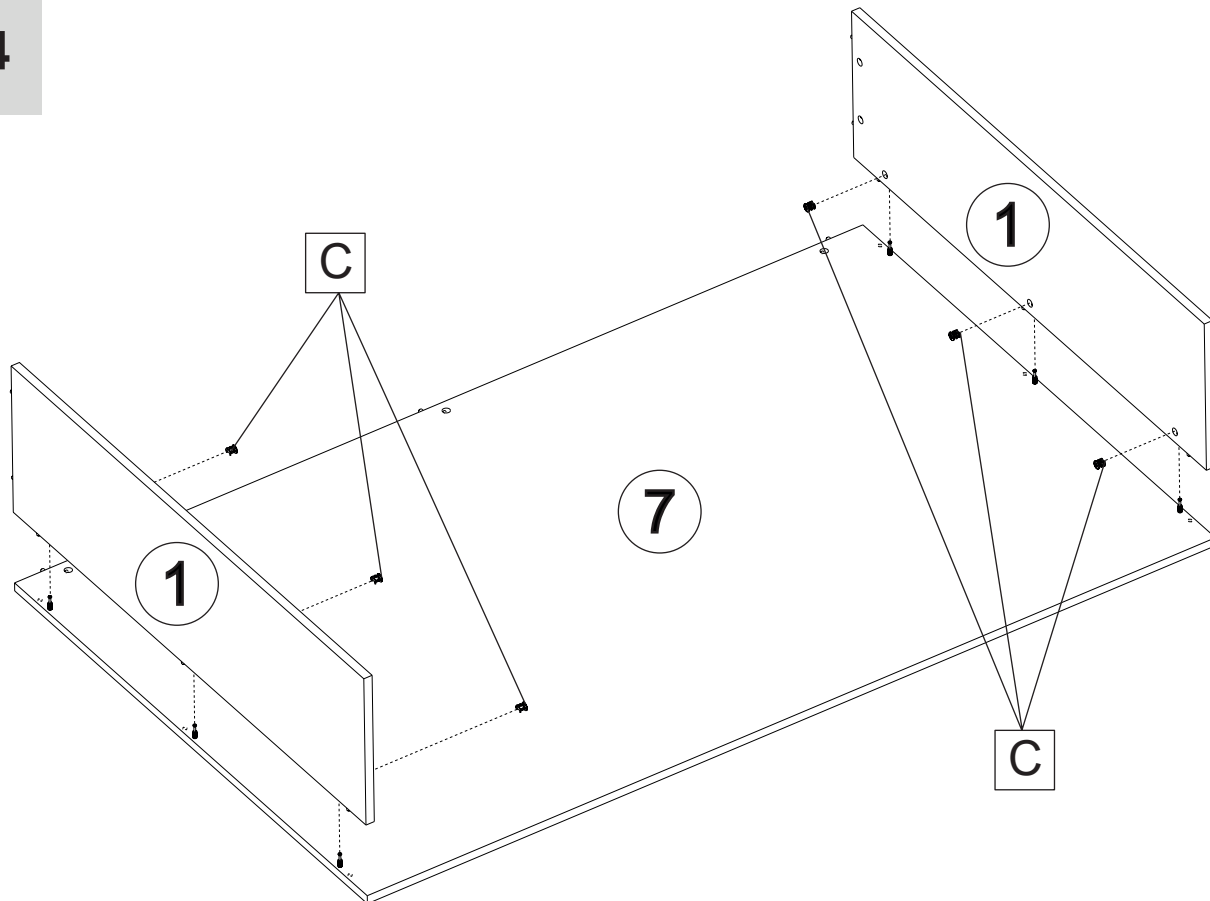
22



23



24



25

