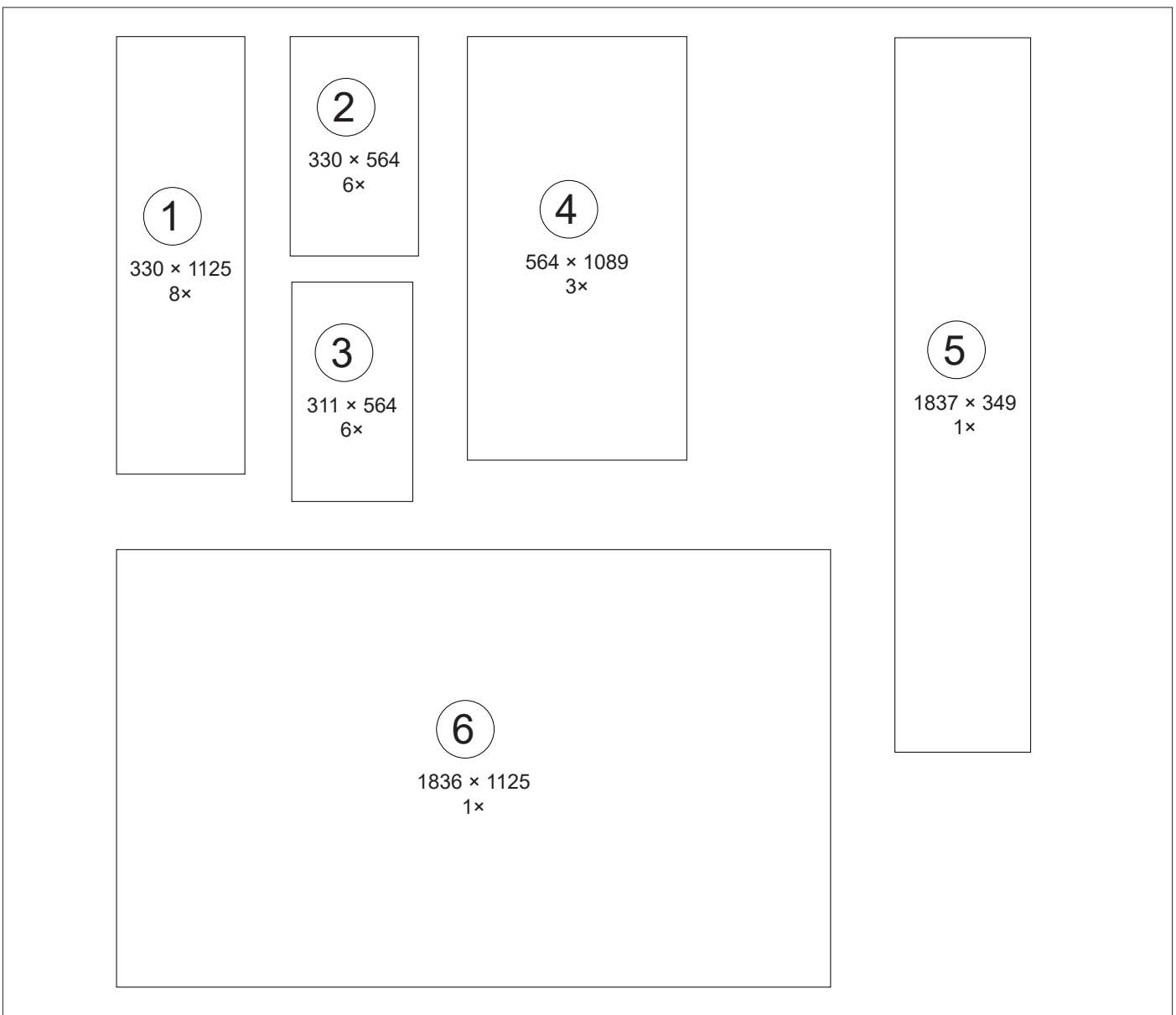
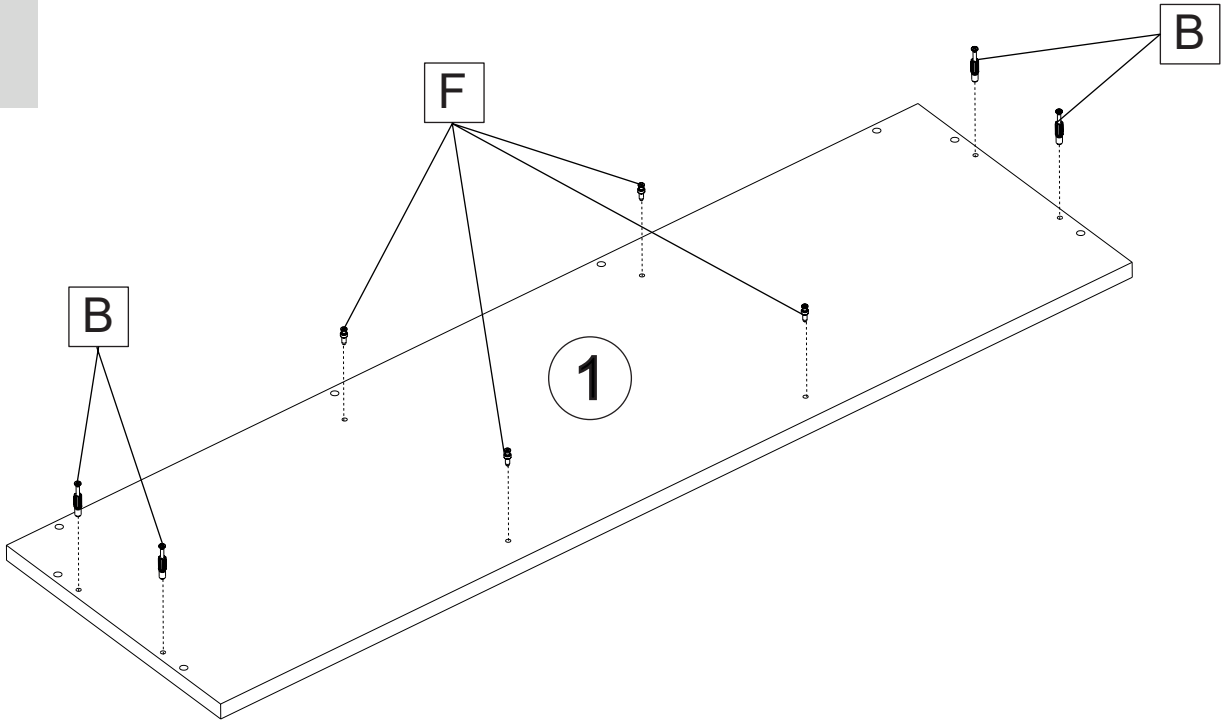
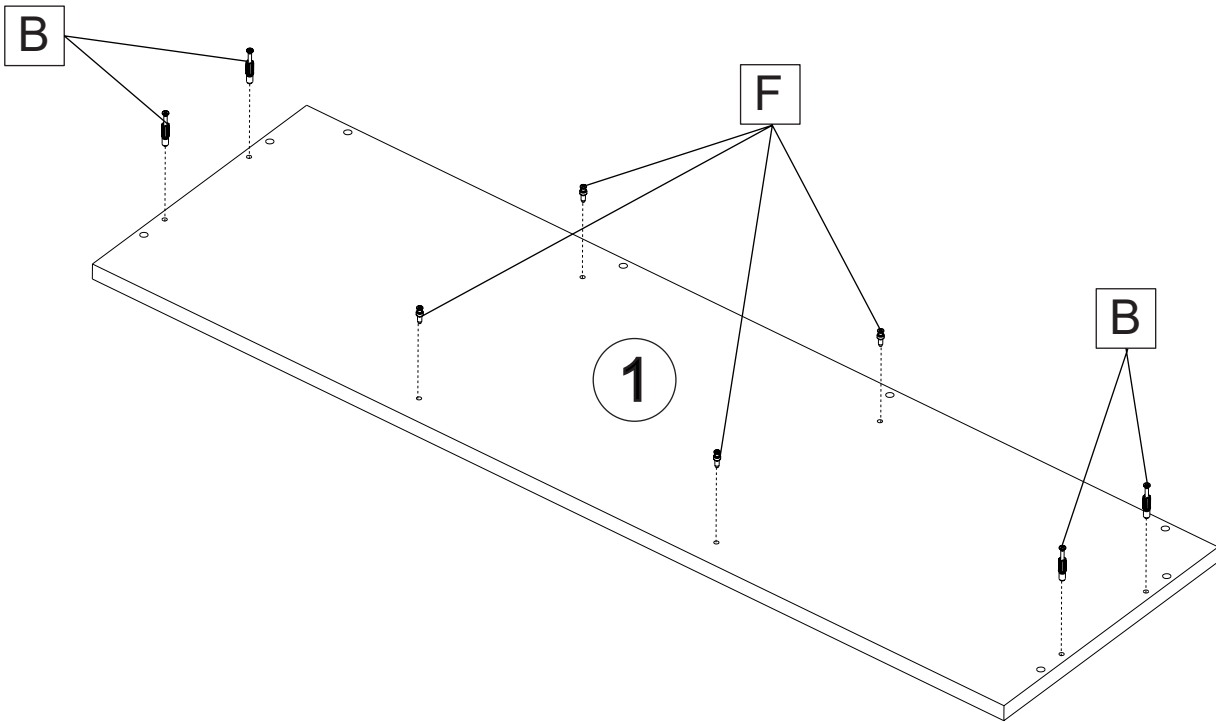

Ø8 × 35				Ø8 × 27			
A 79×	B 37×	C 37×	D 37×	E 4×	F 24×	G 24×	H 12×



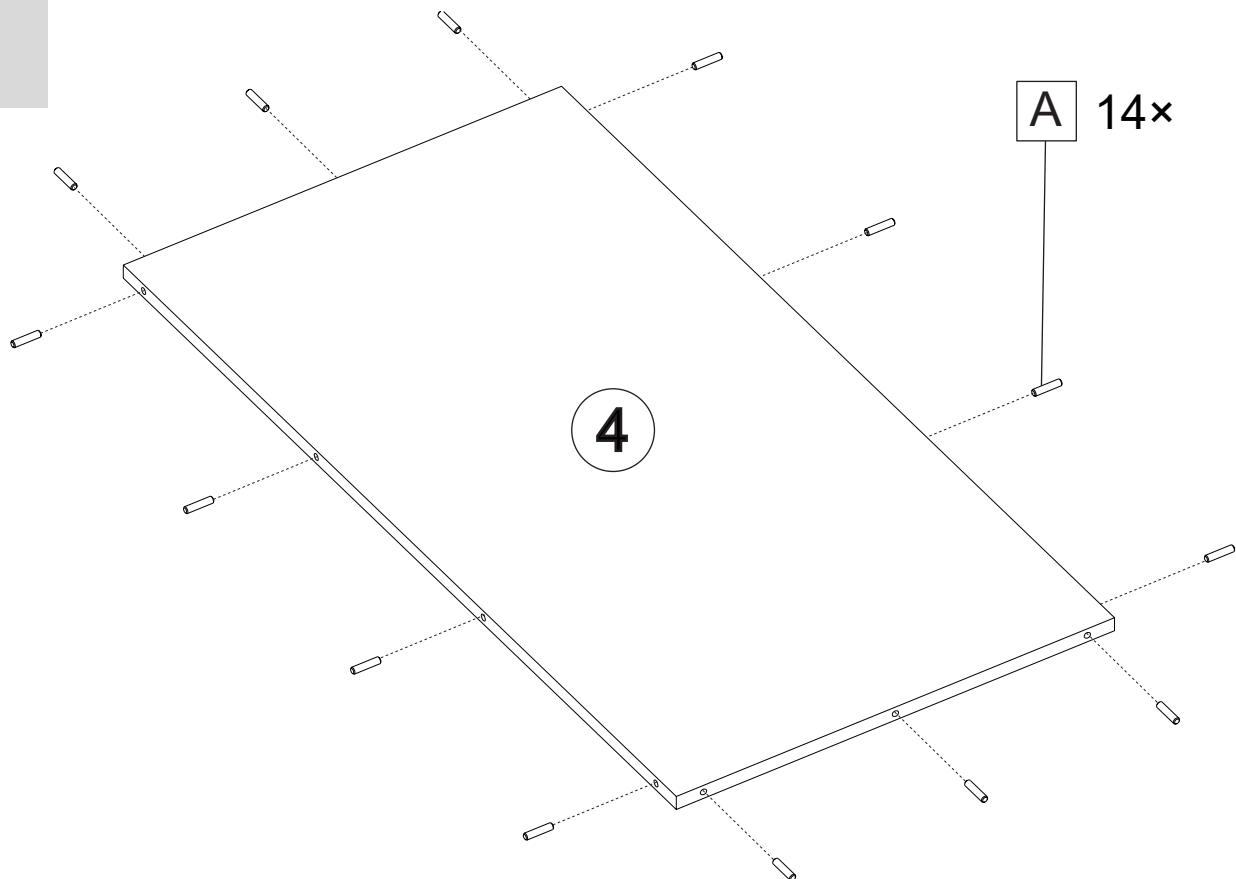
1



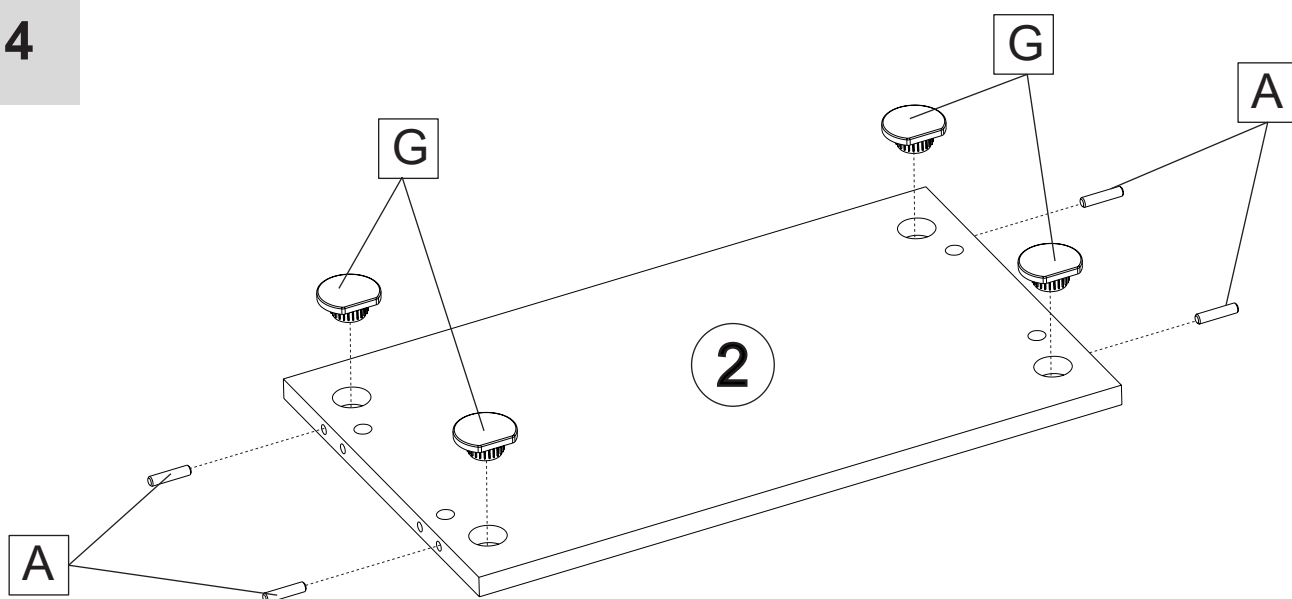
2



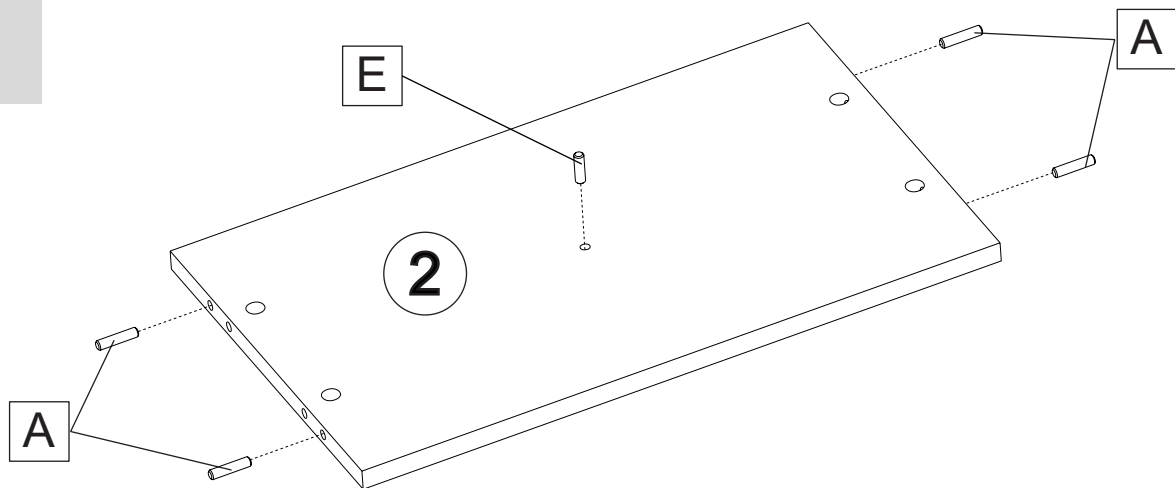
3



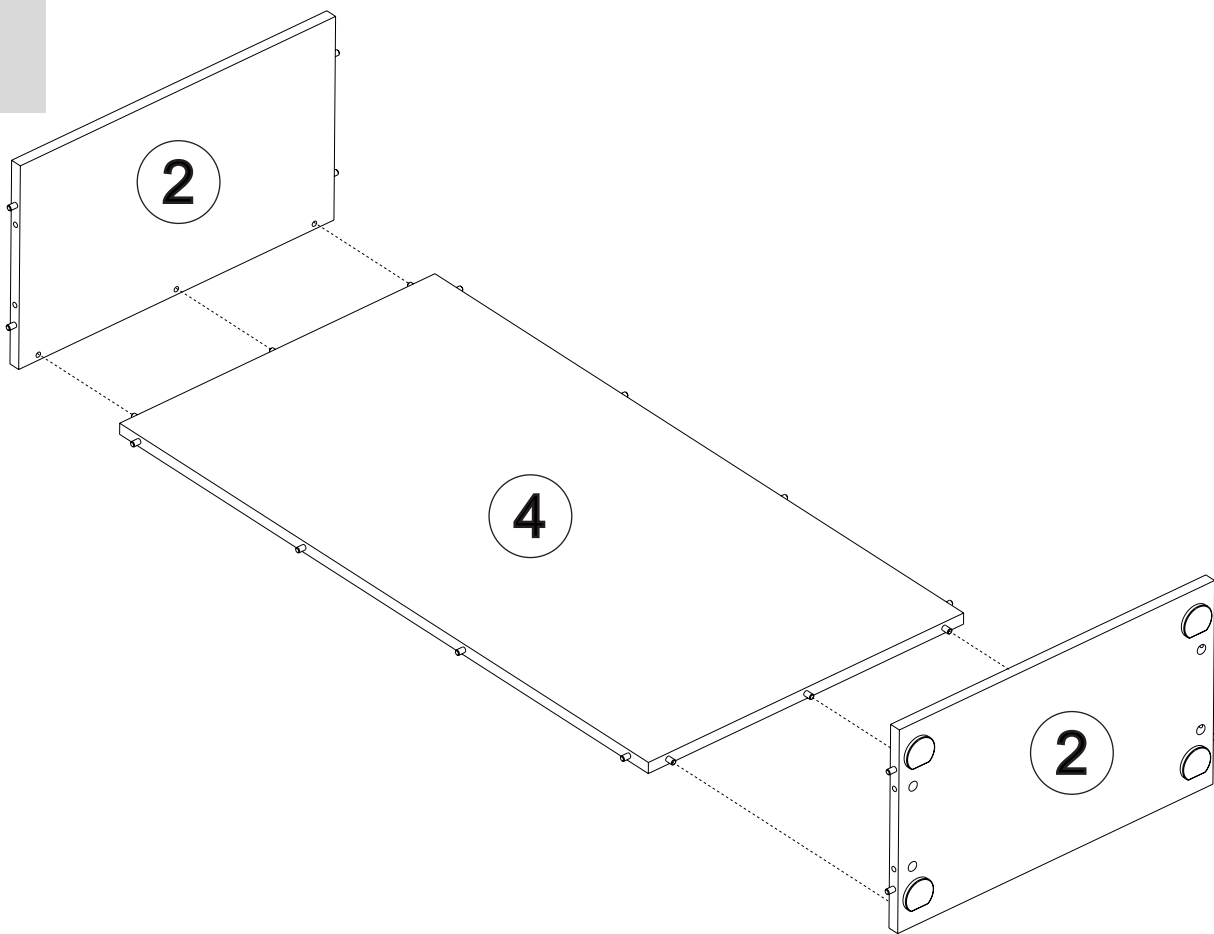
4



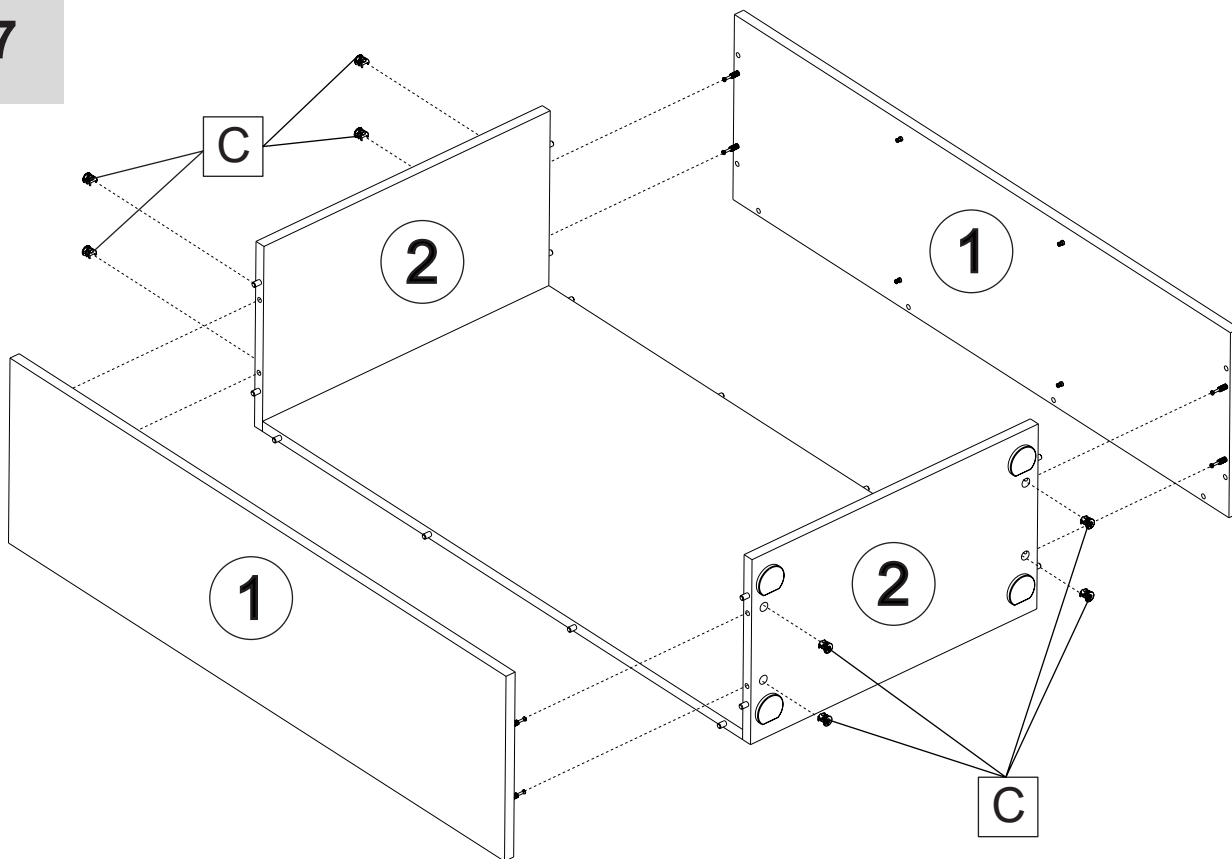
5



6

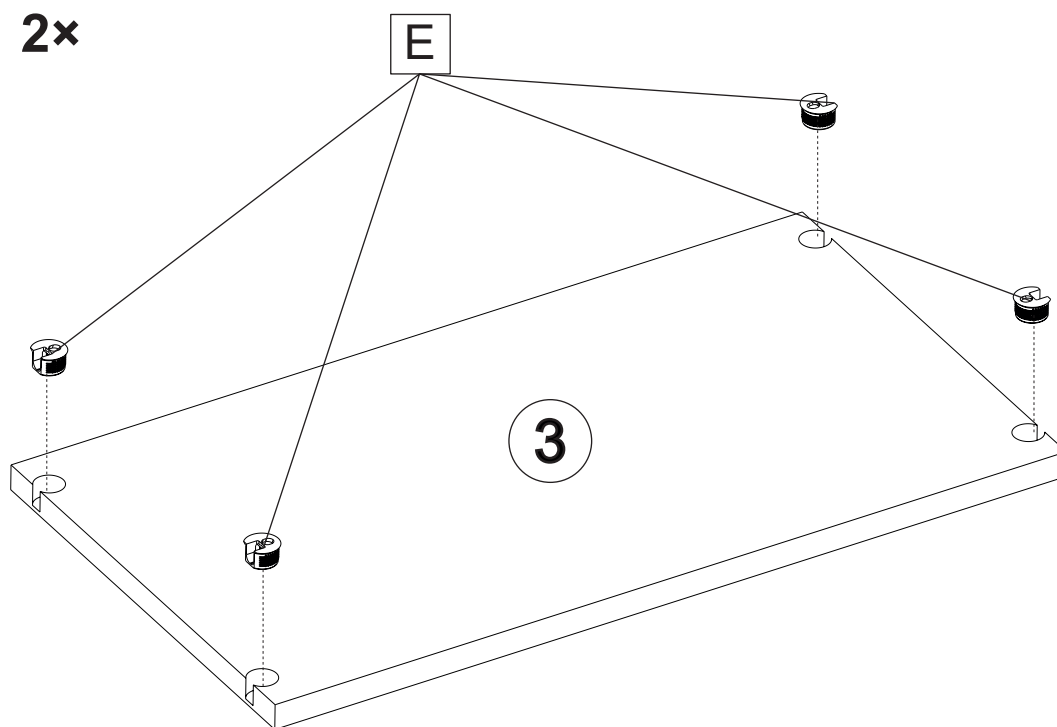


7

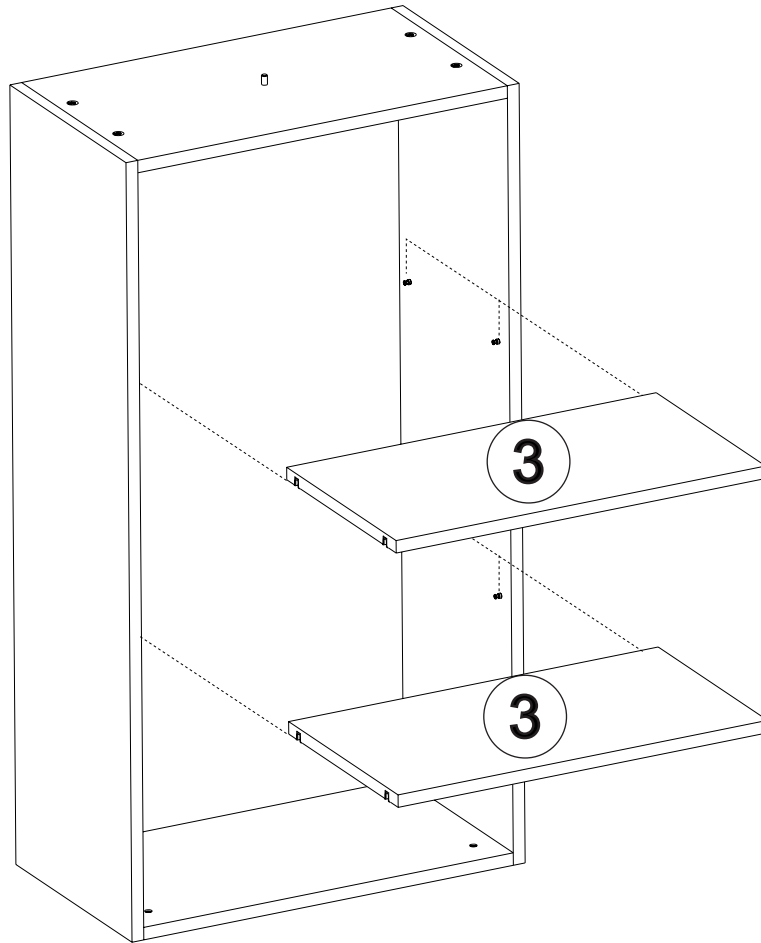


8

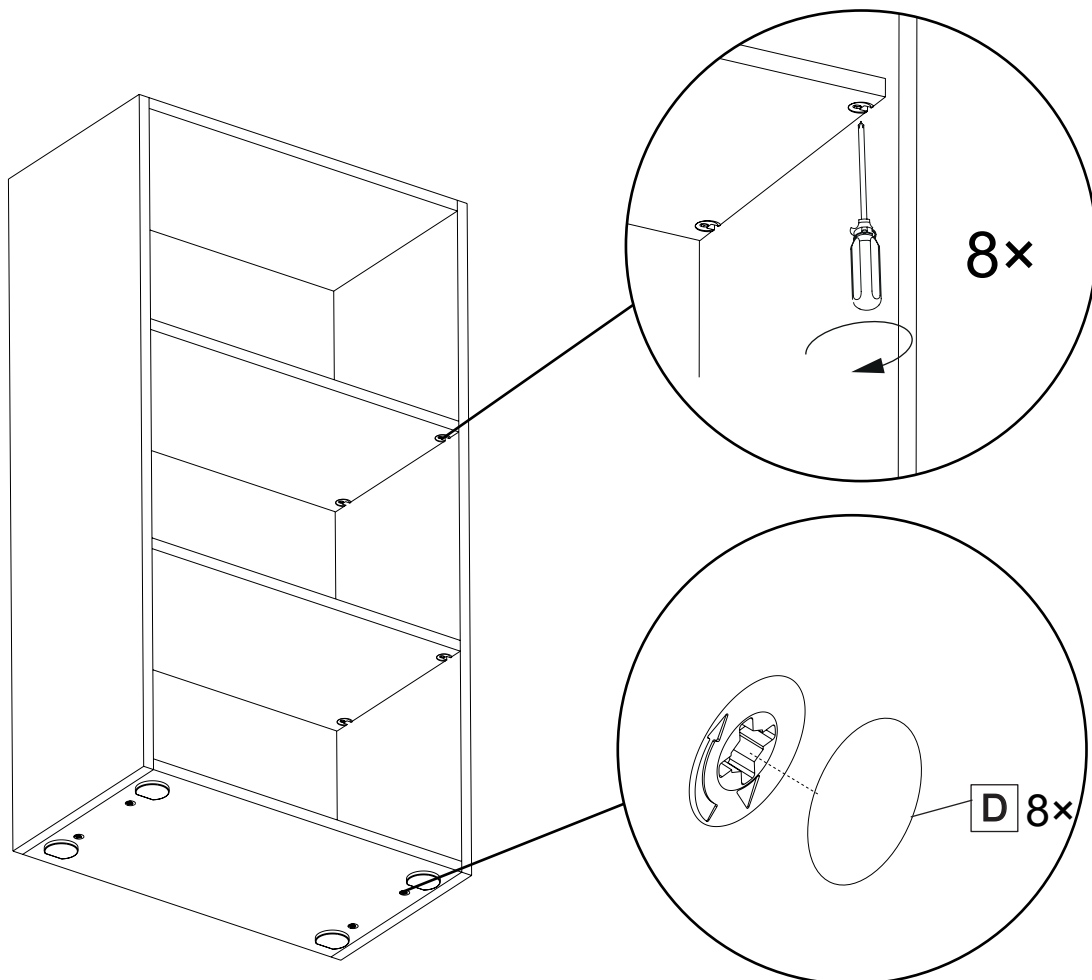
2x



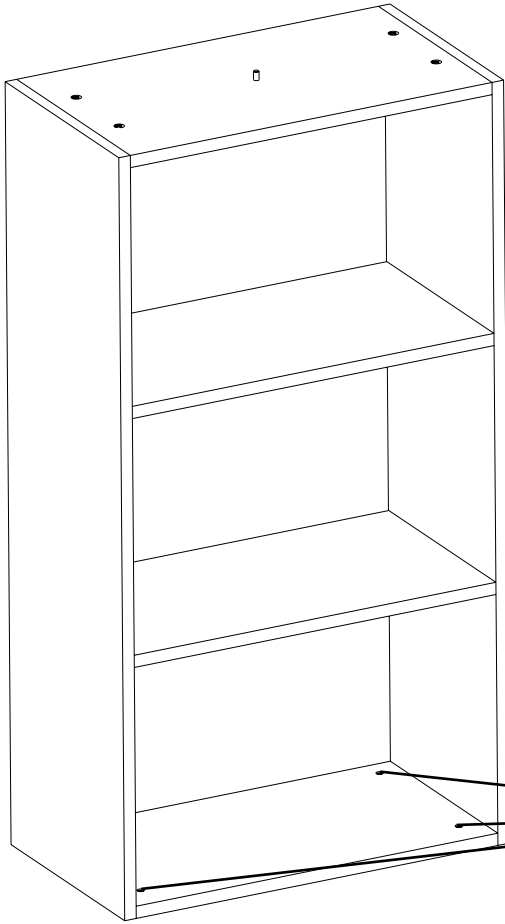
9



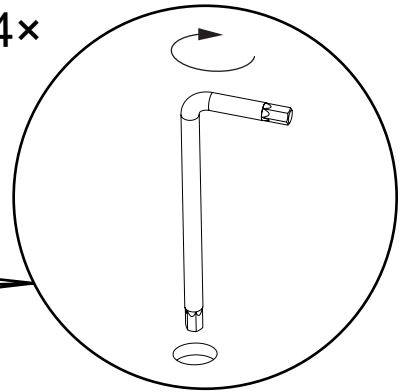
10



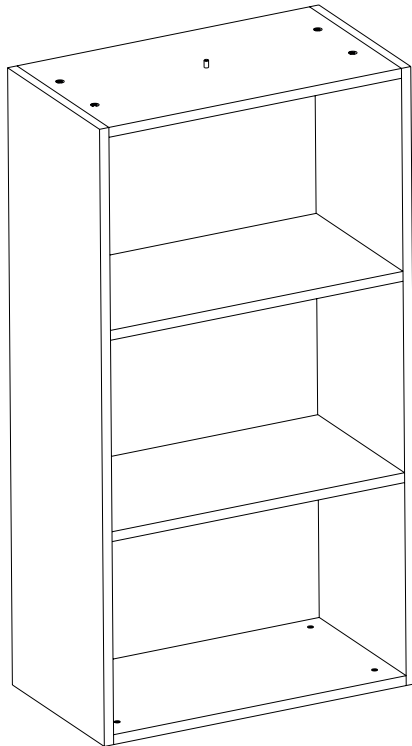
11



4x

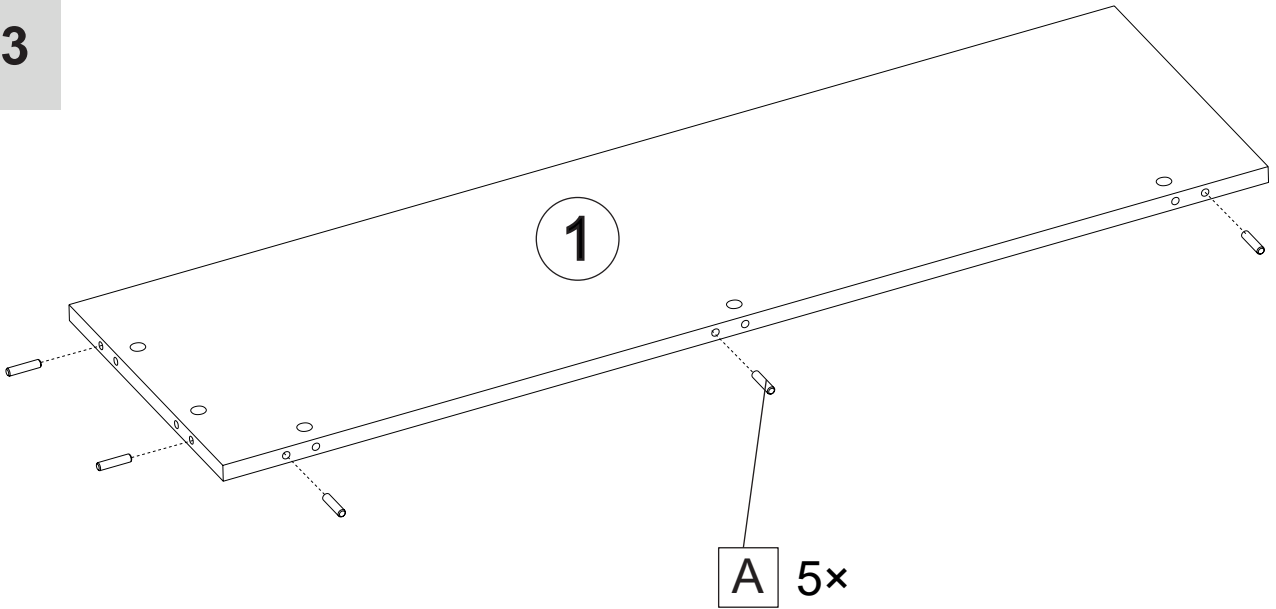


12

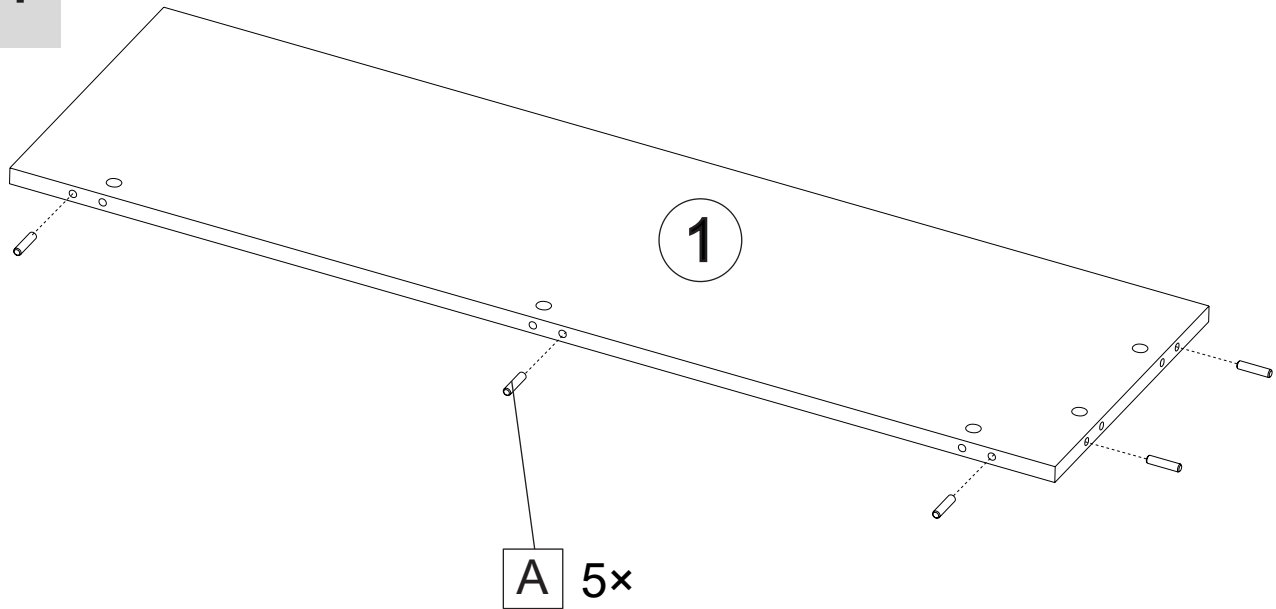


3x

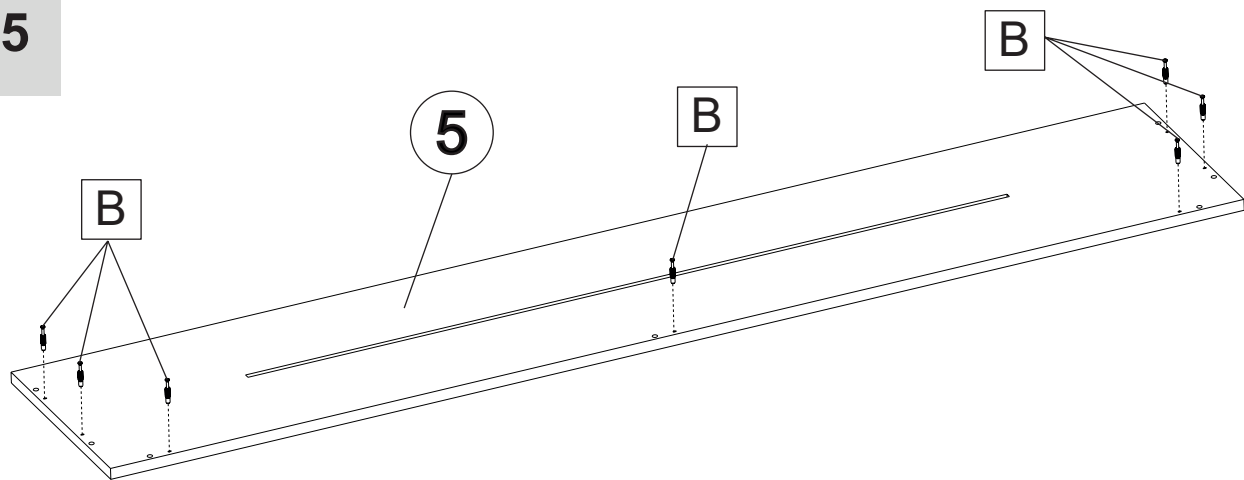
13



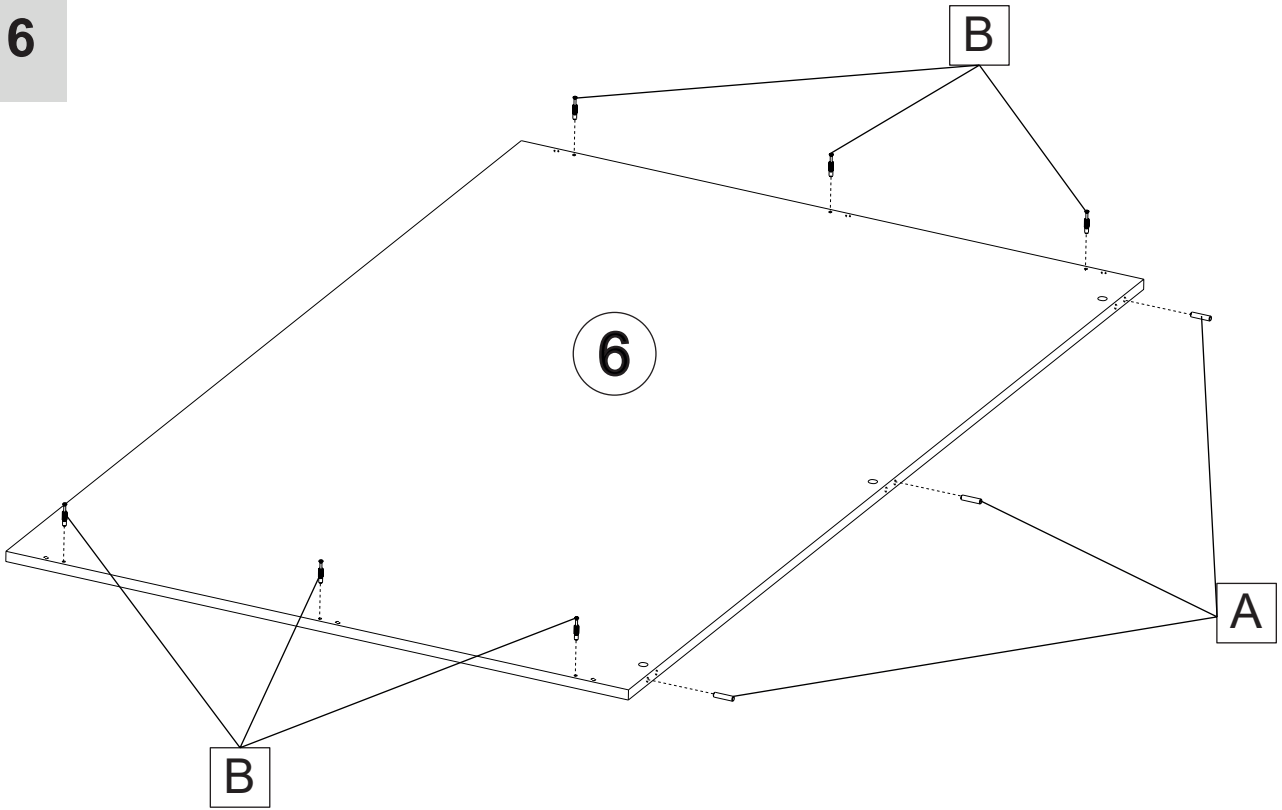
14



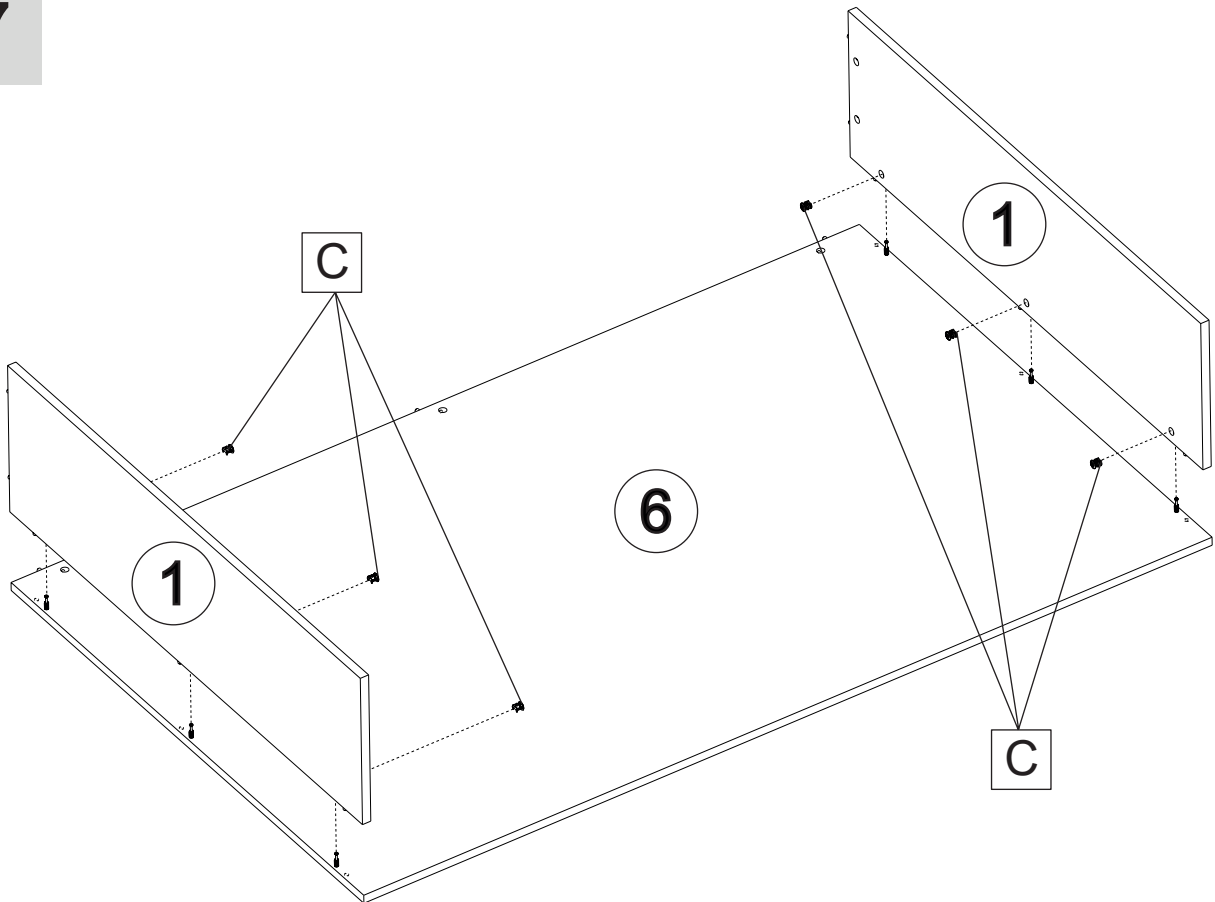
15



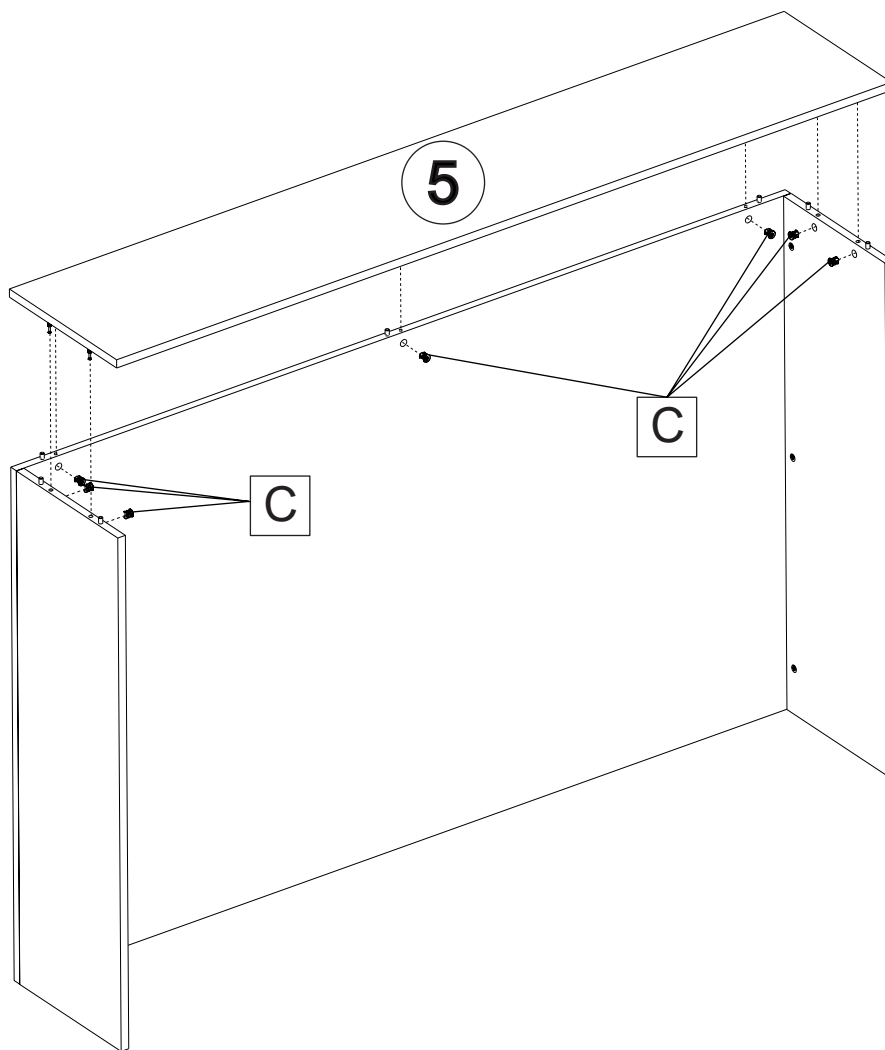
16



17



18



19

