


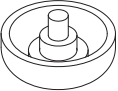

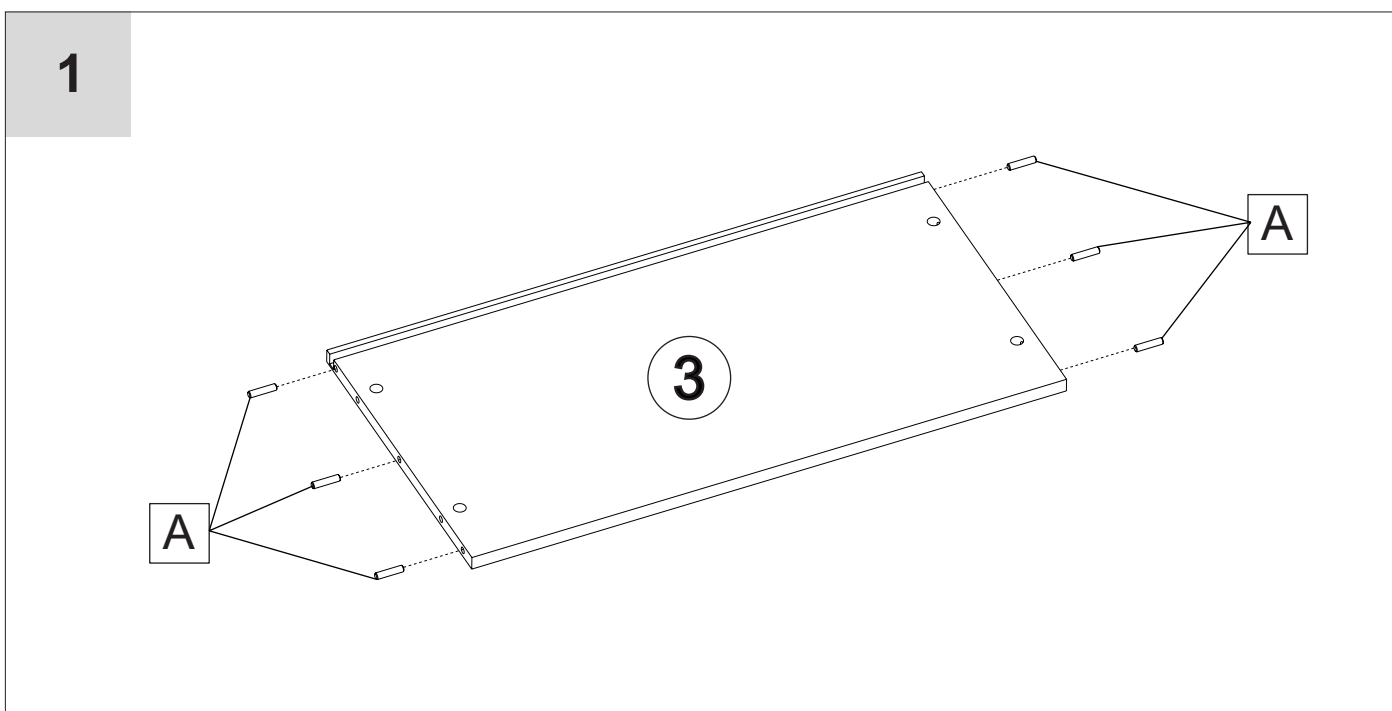
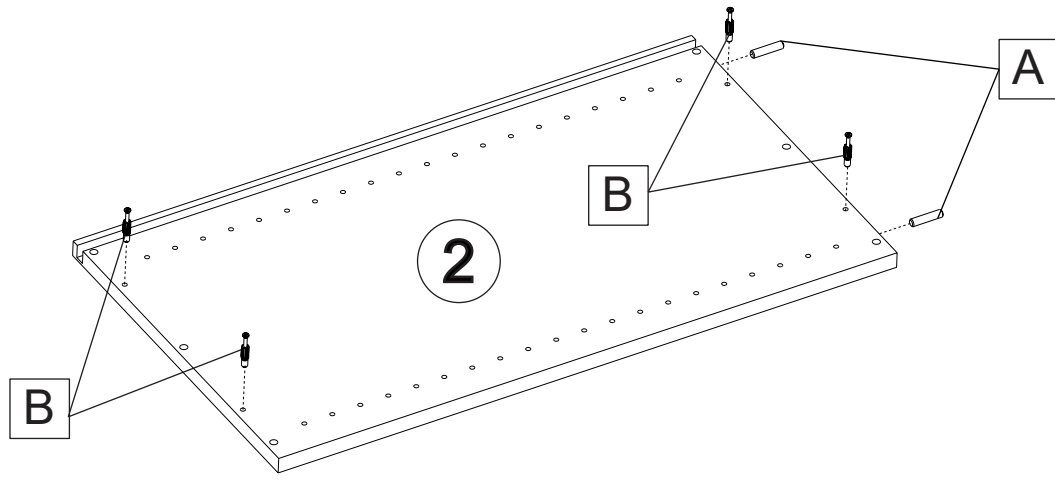
 Ø8 x 35					
<b>A</b> 18x	<b>B</b> 8x	<b>C</b> 8x	<b>D</b> 8x	<b>E</b> 4x	<b>F</b> 4x

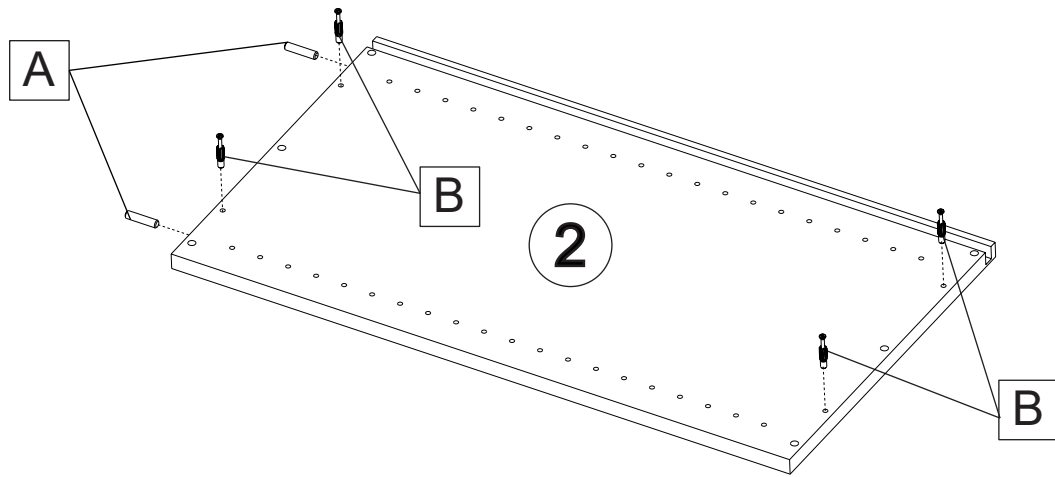
<b>1</b> 422 x 804 1x	<b>2</b> 400 x 705 2x	<b>3</b> 400 x 764 2x	<b>4</b> 380 x 763 1x	<b>5</b> 685 x 780 1x
-----------------------------	-----------------------------	-----------------------------	-----------------------------	-----------------------------



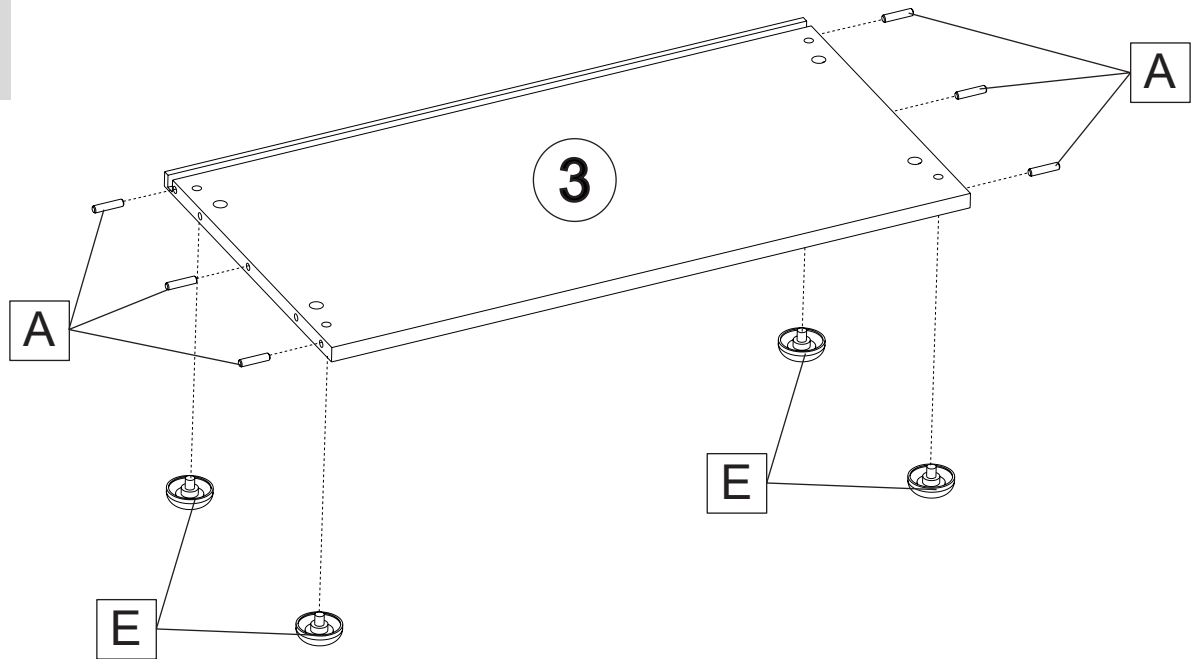
2



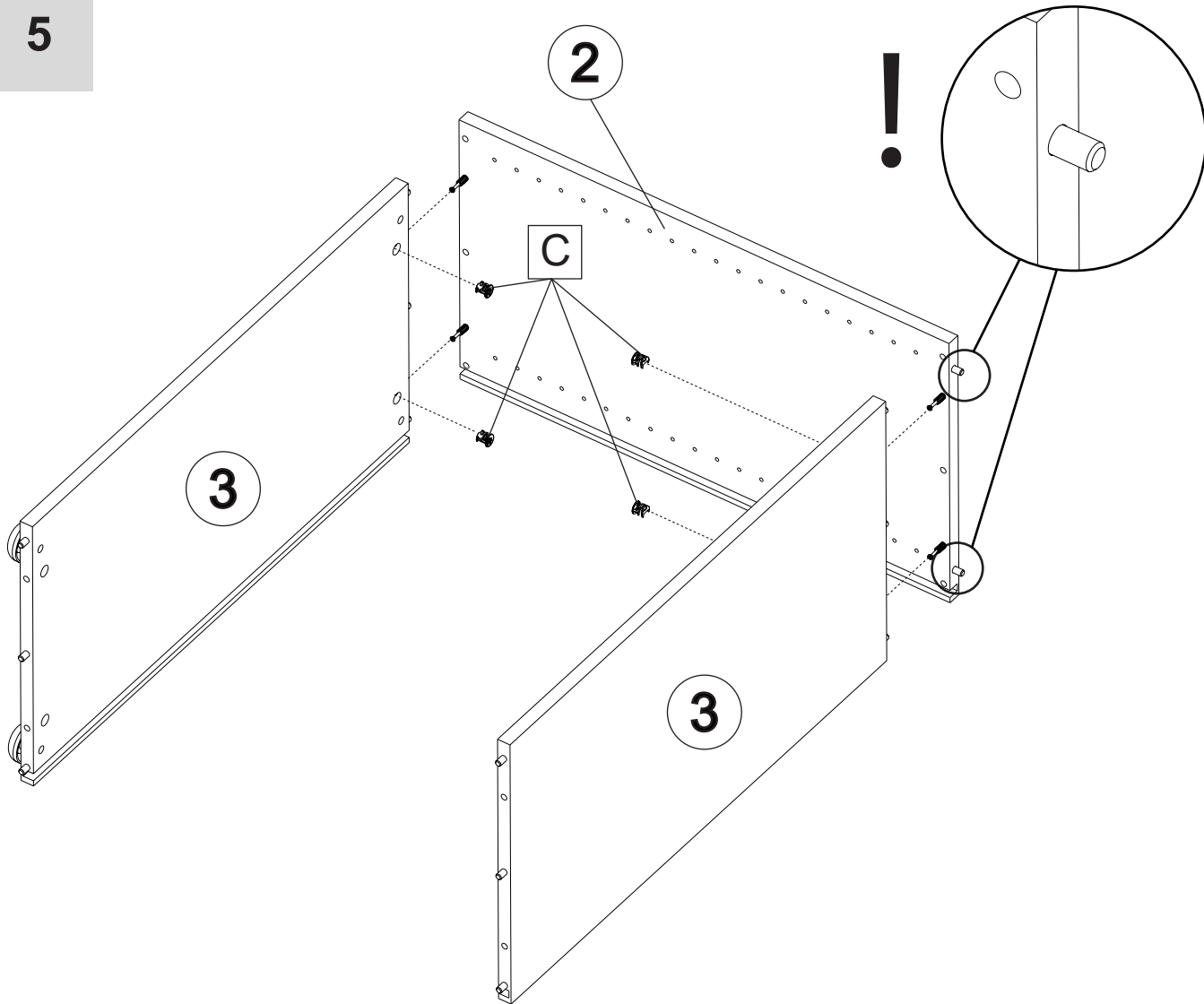
3



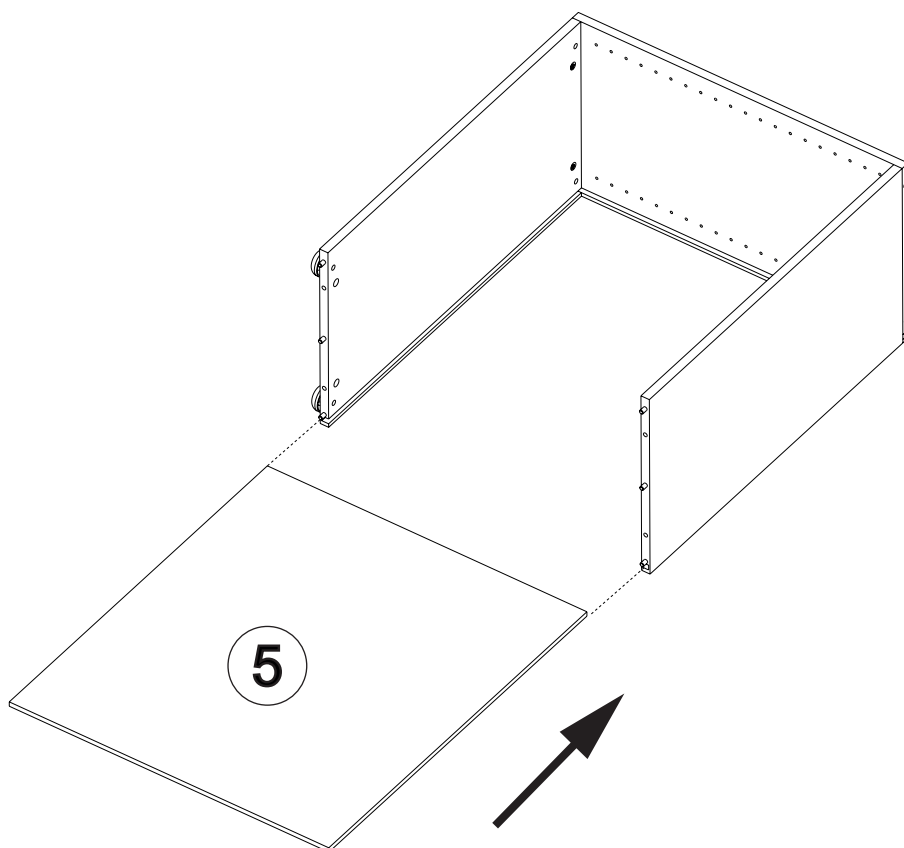
4



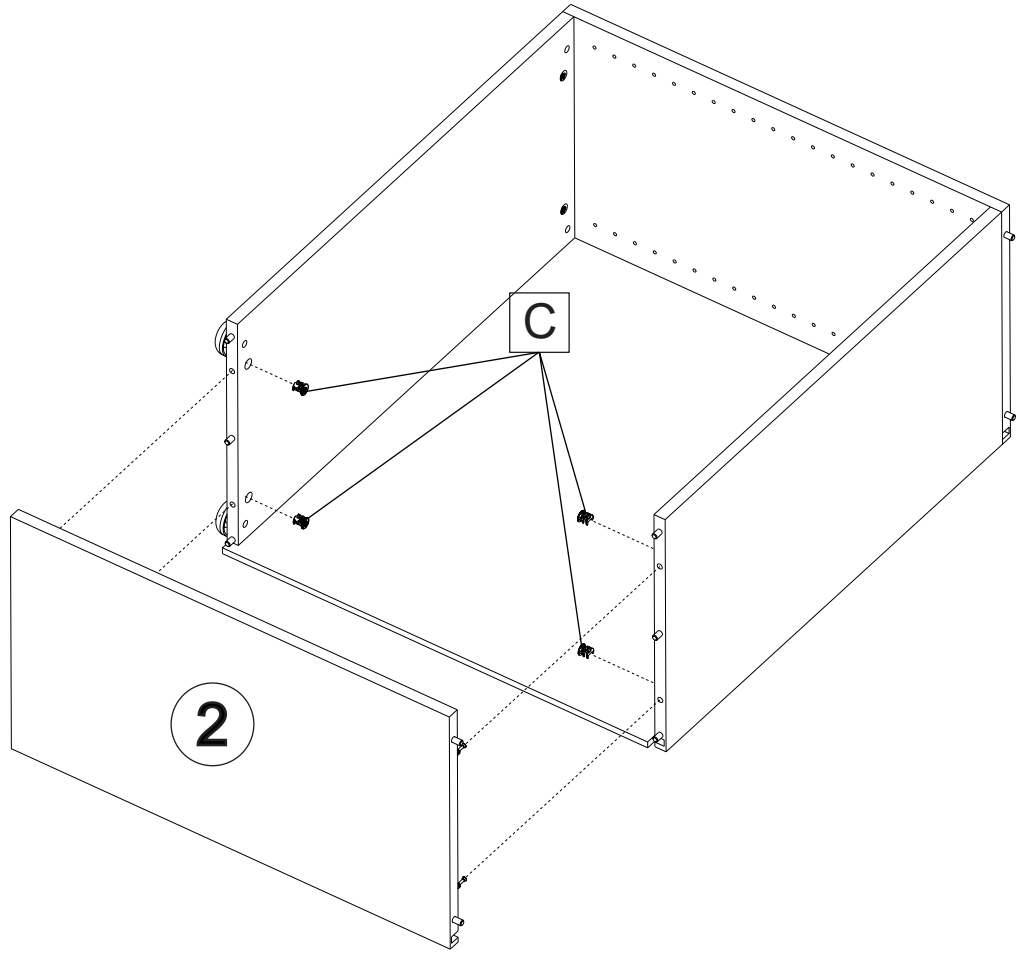
5



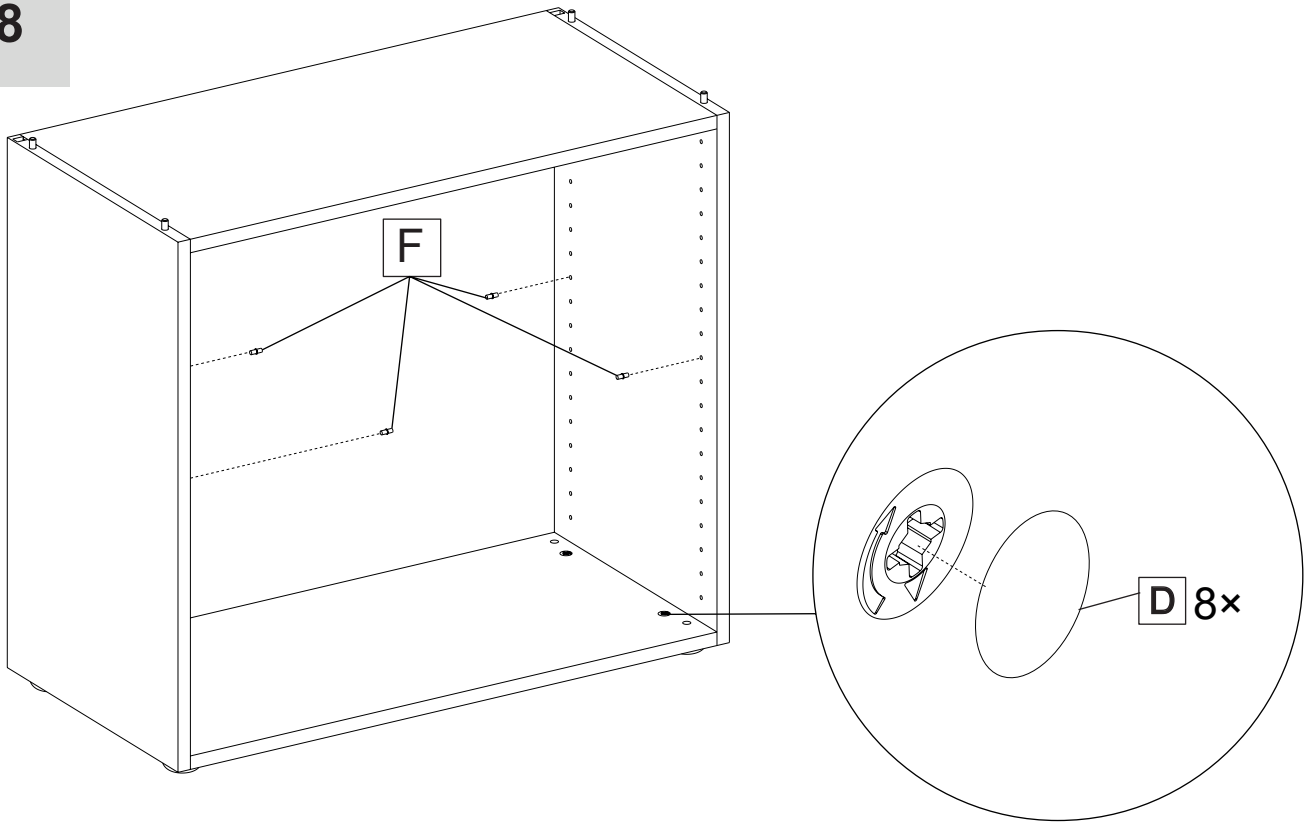
6



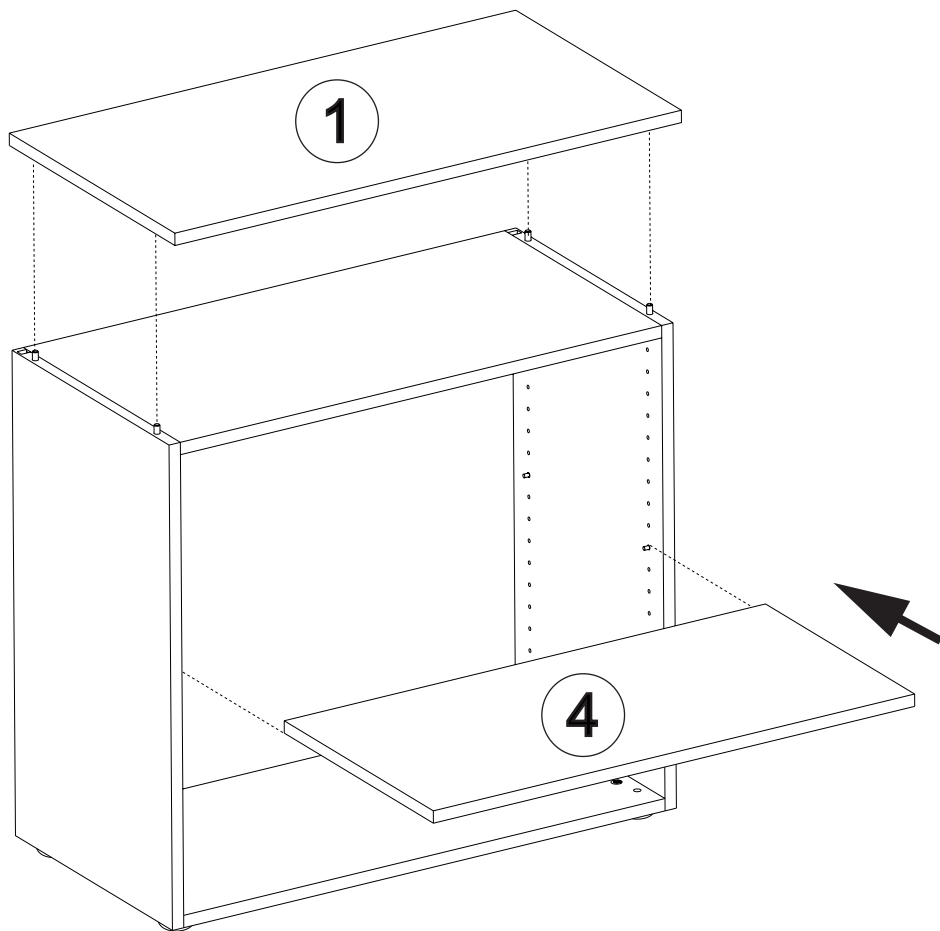
7



8



9



10

