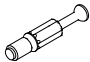




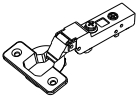
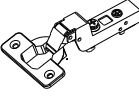
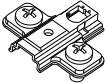
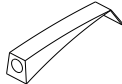
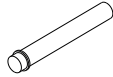




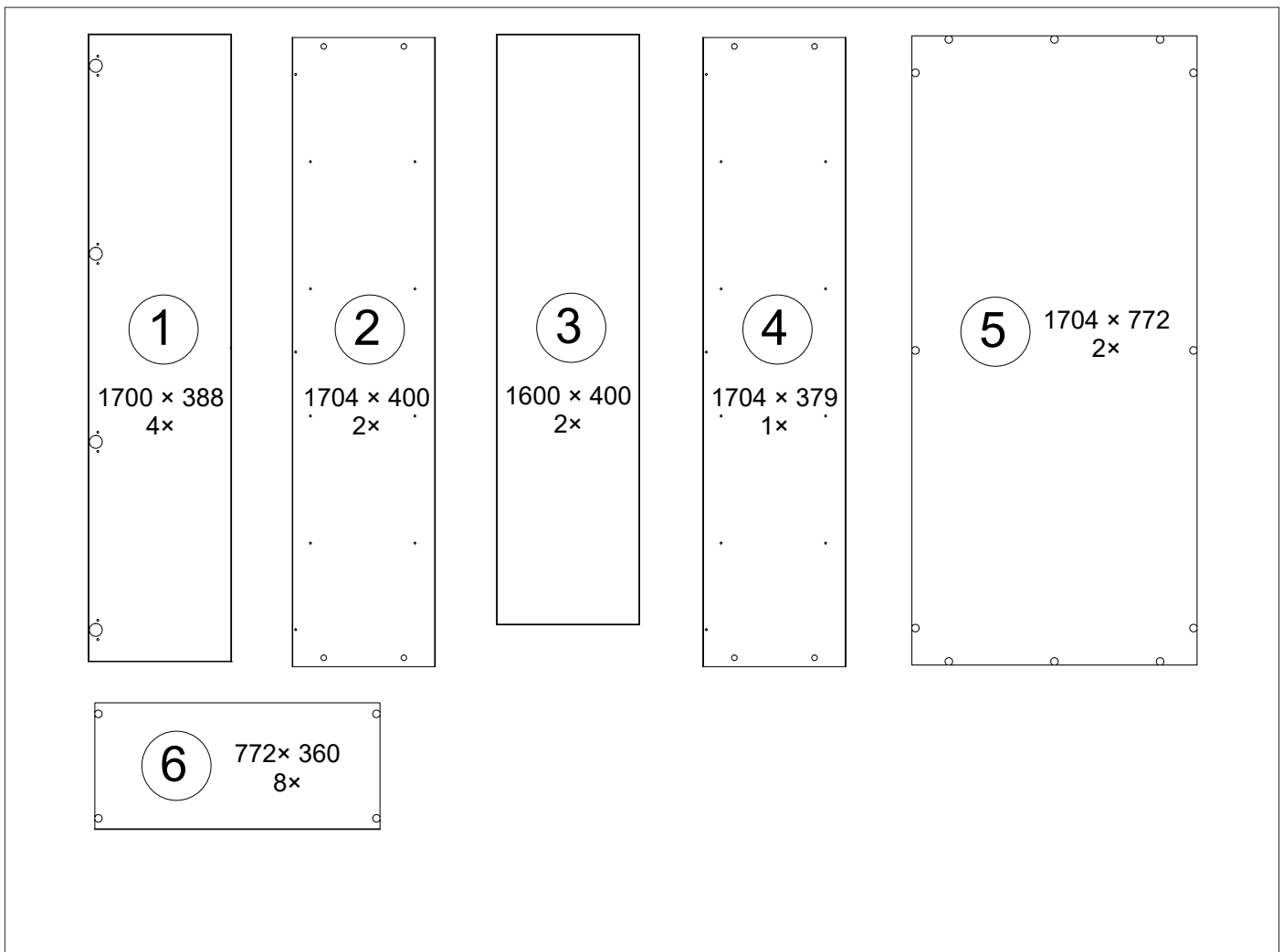
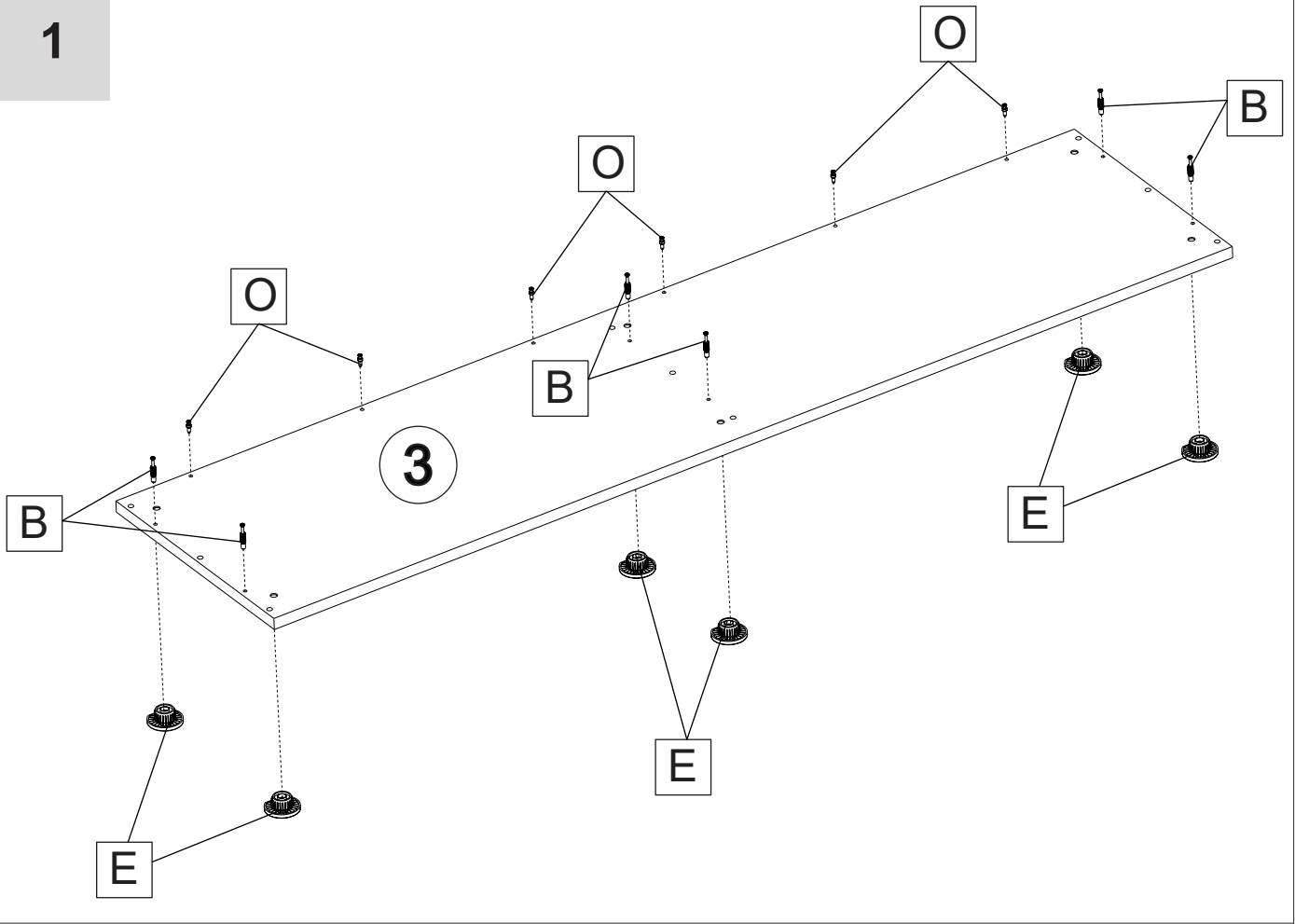
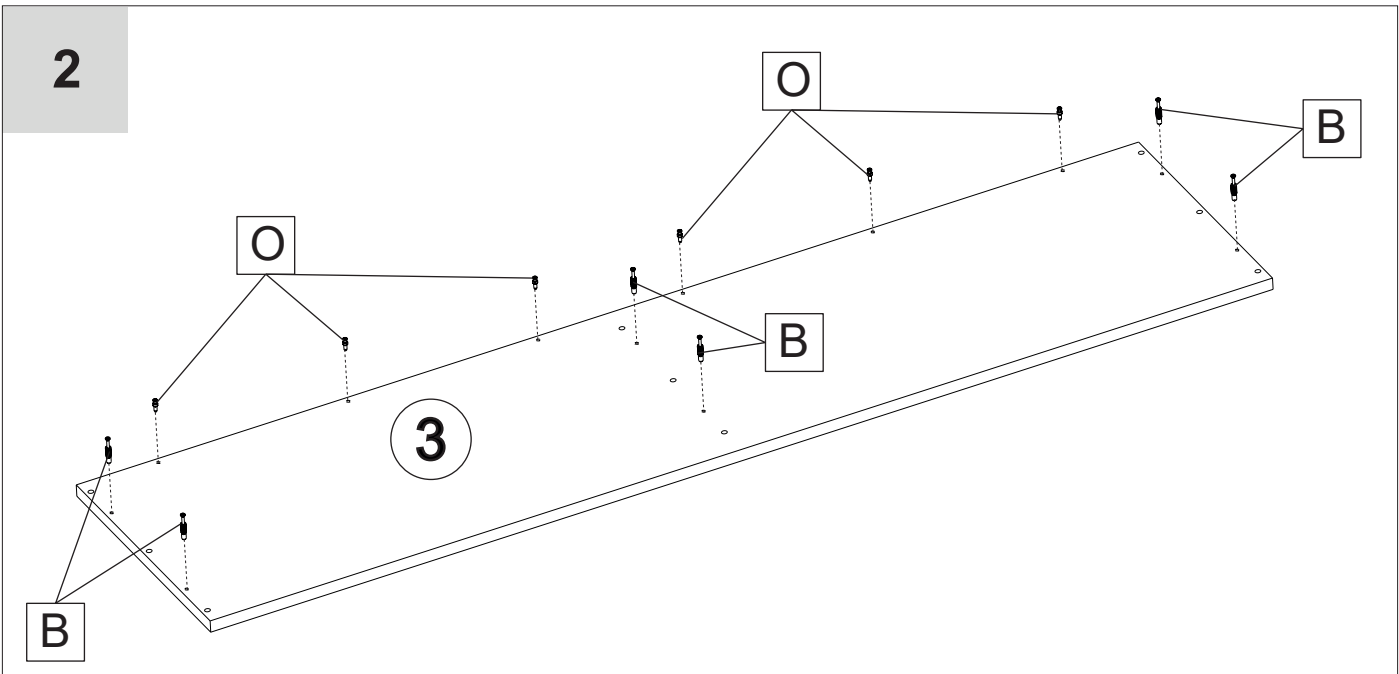
 Ø8 × 35					 Ø3,5 × 16		
A 18×	B 12×	C 12×	D 12×	E 6×	F 32×	G 8×	H 8×
							
I 16×	J 4×	K 4×	L 4×	M 4×	N 56×	O 56×	



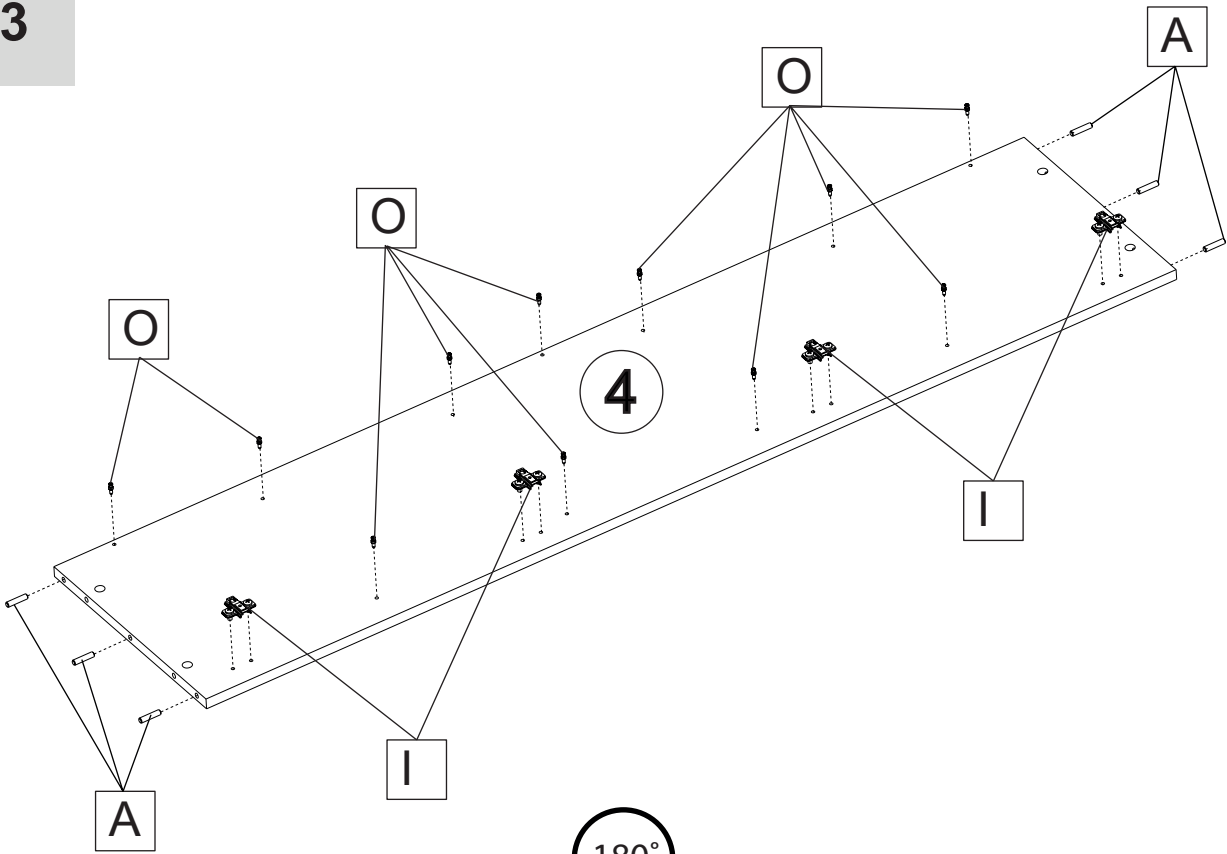
1



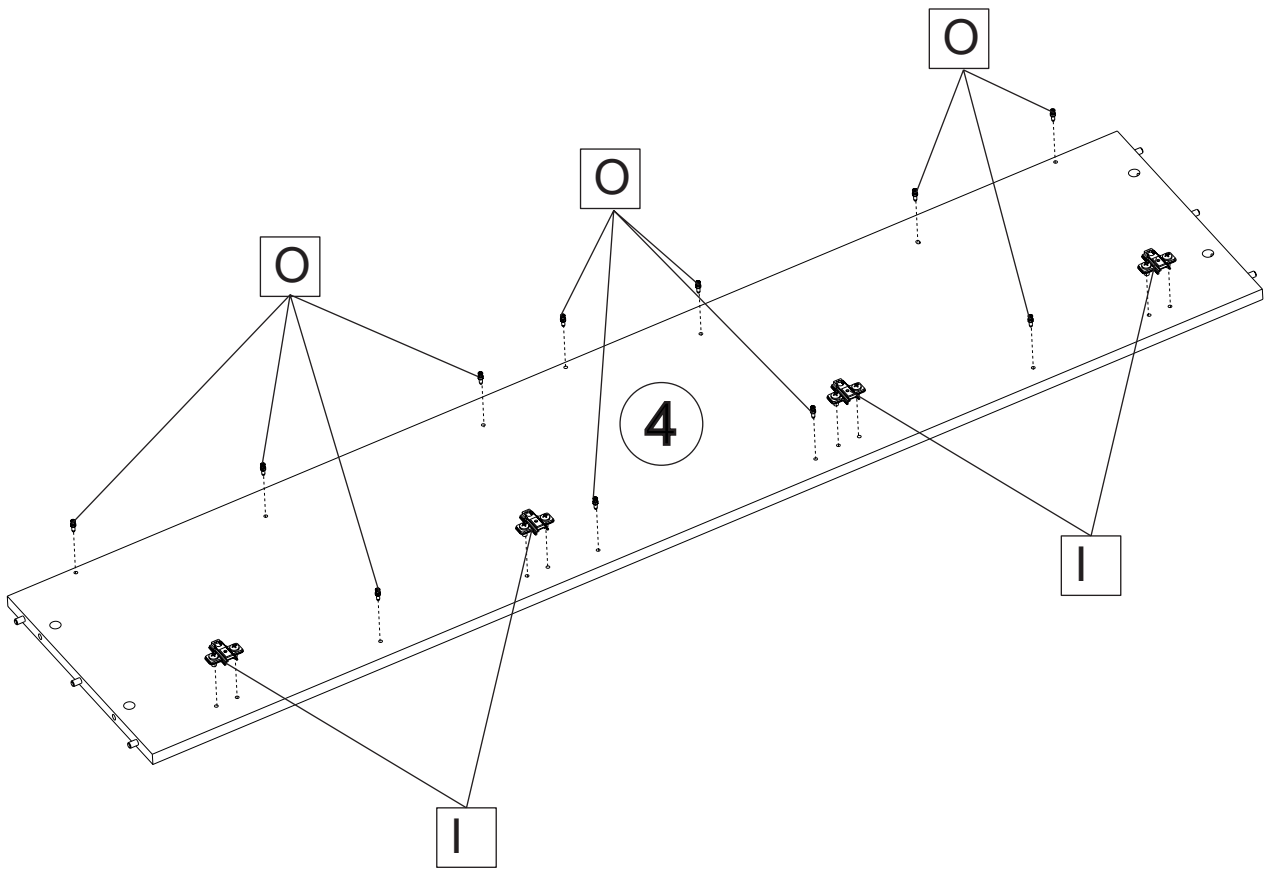
2



3

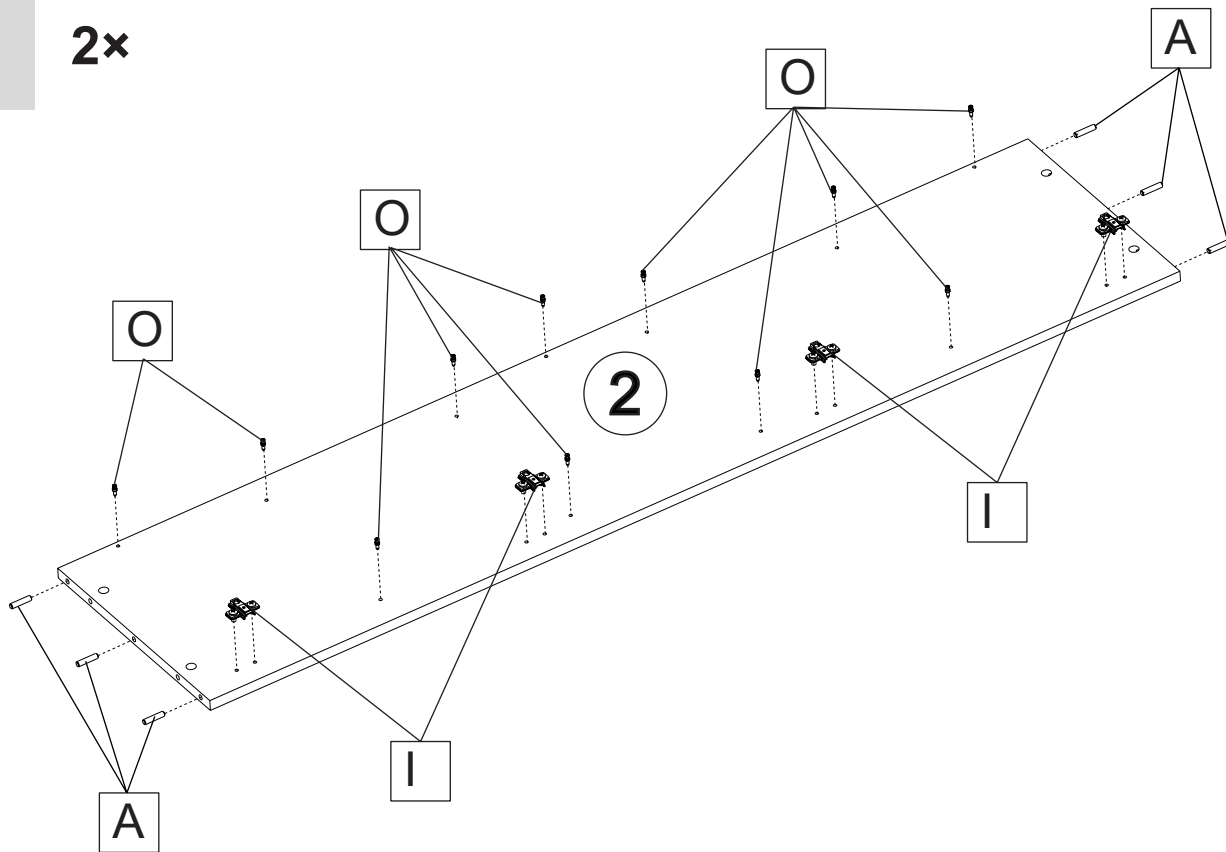


180°

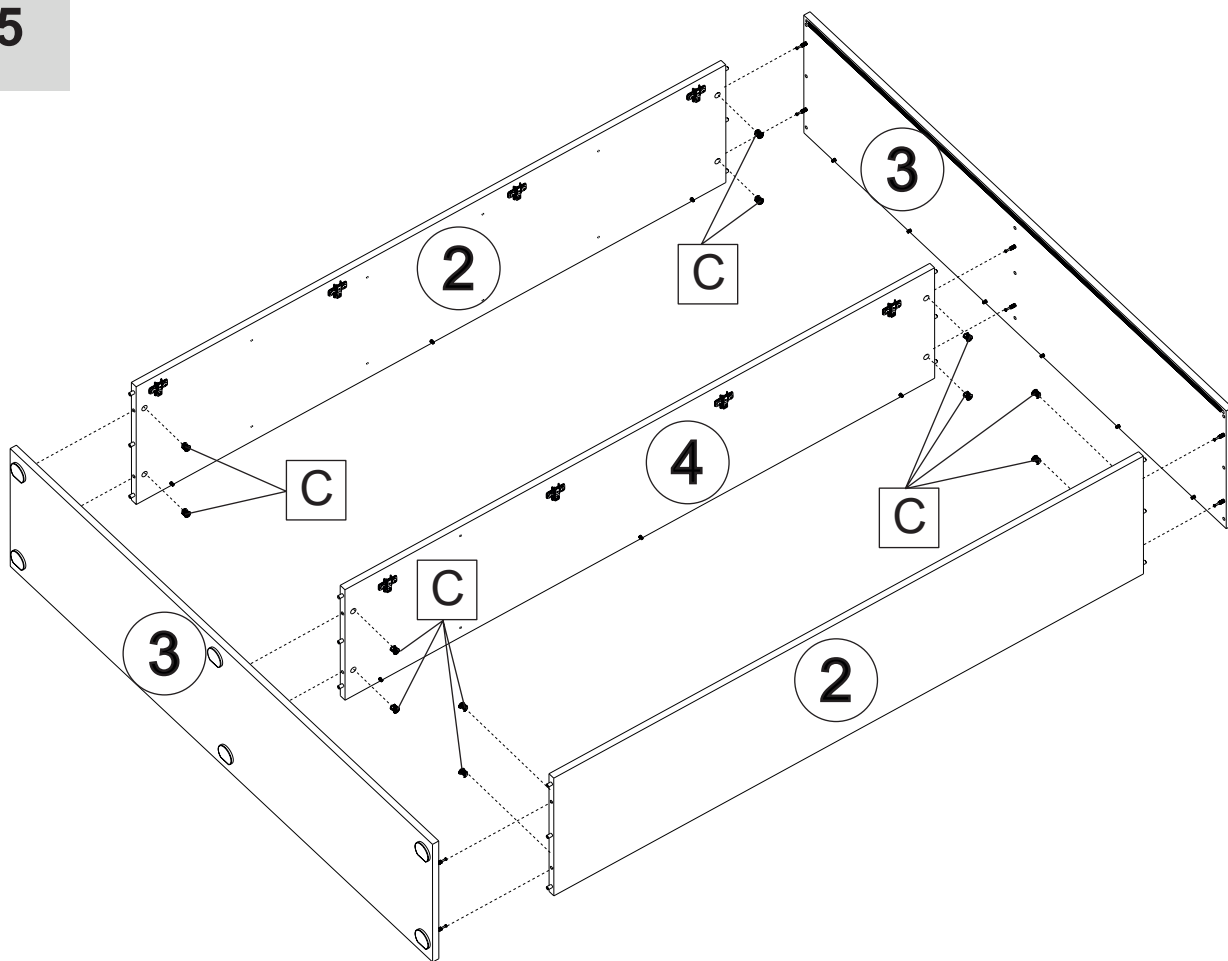


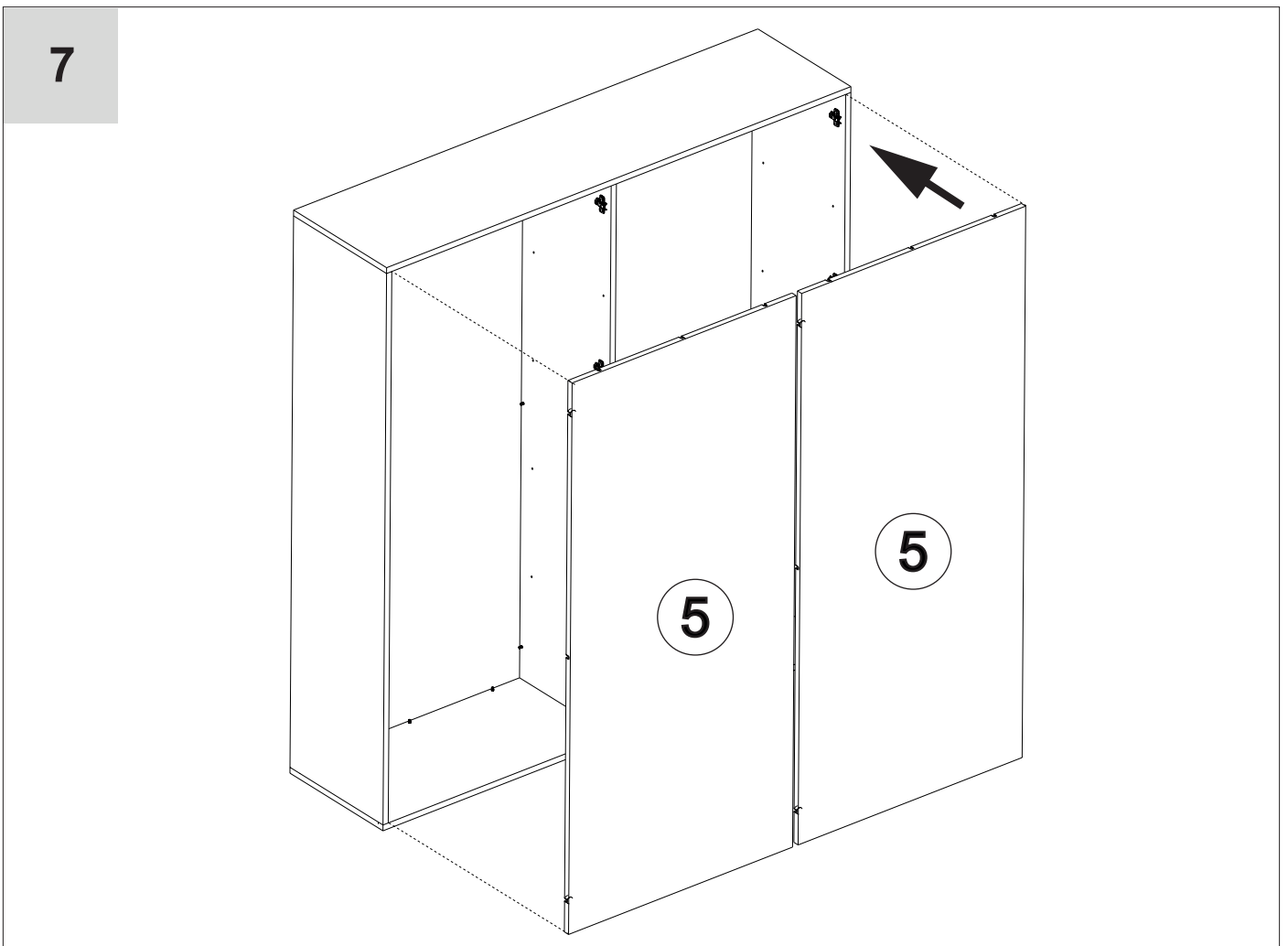
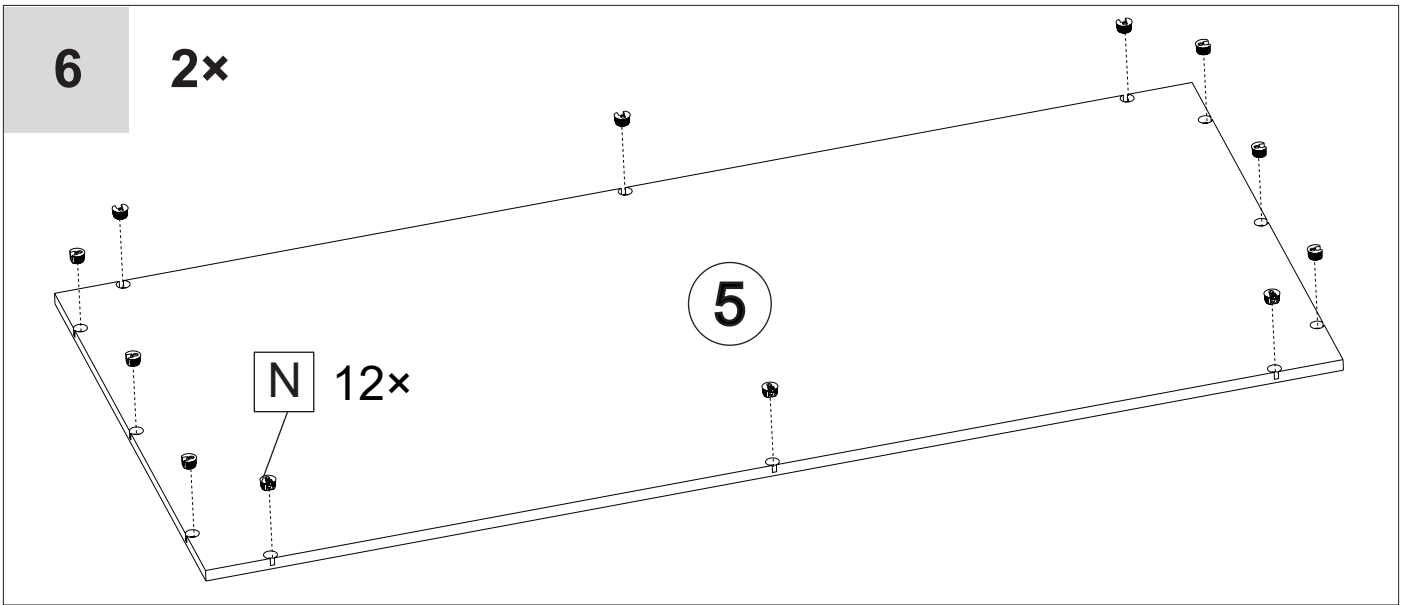
4

2x

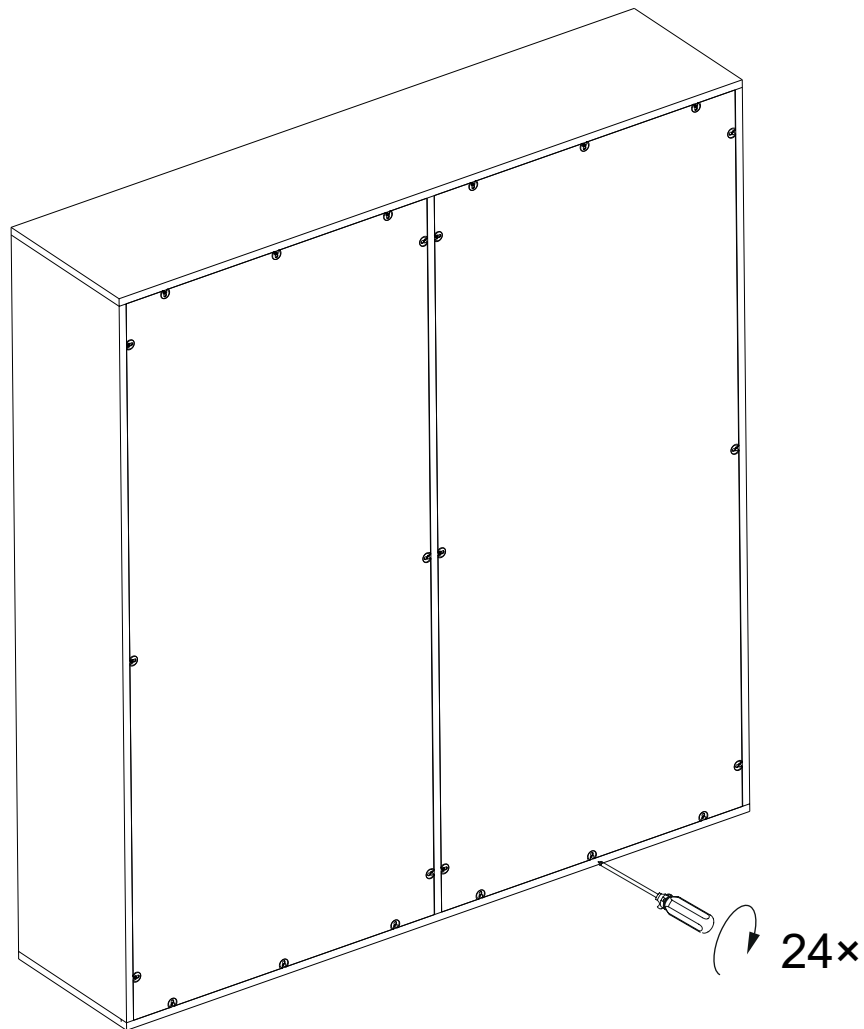


5



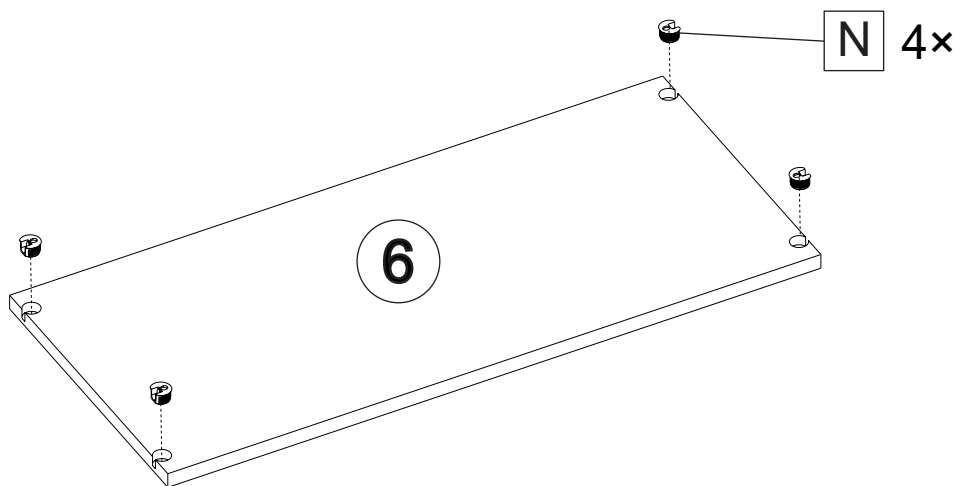


8

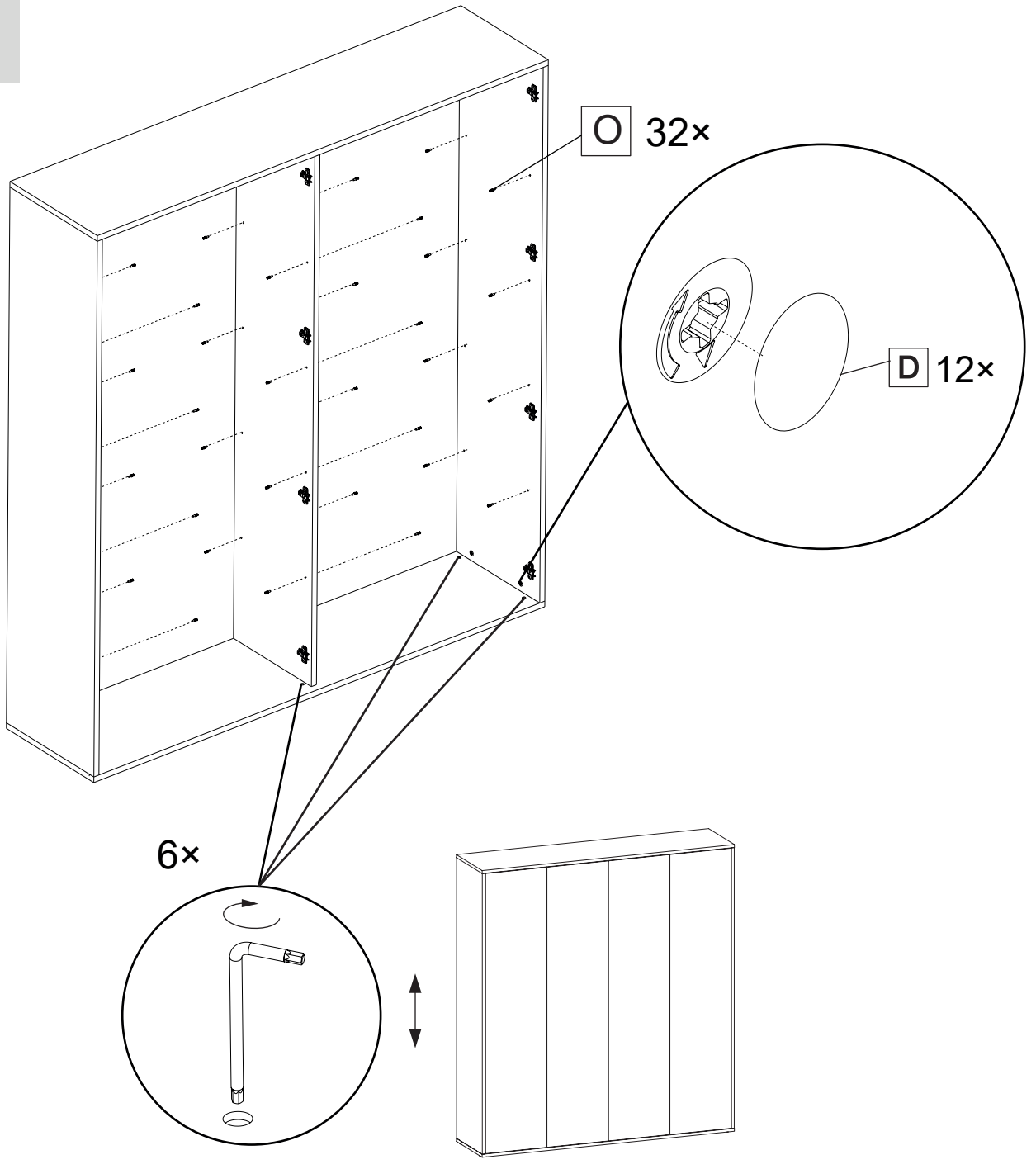


9

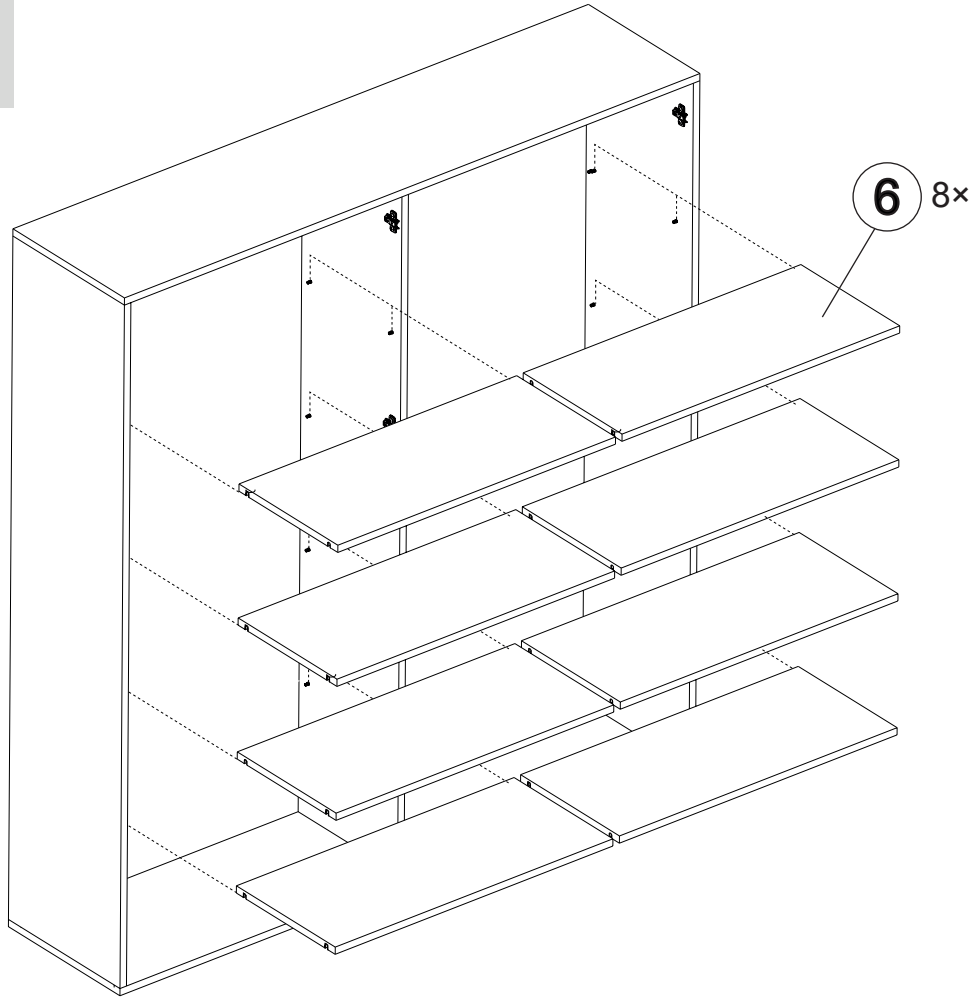
8x



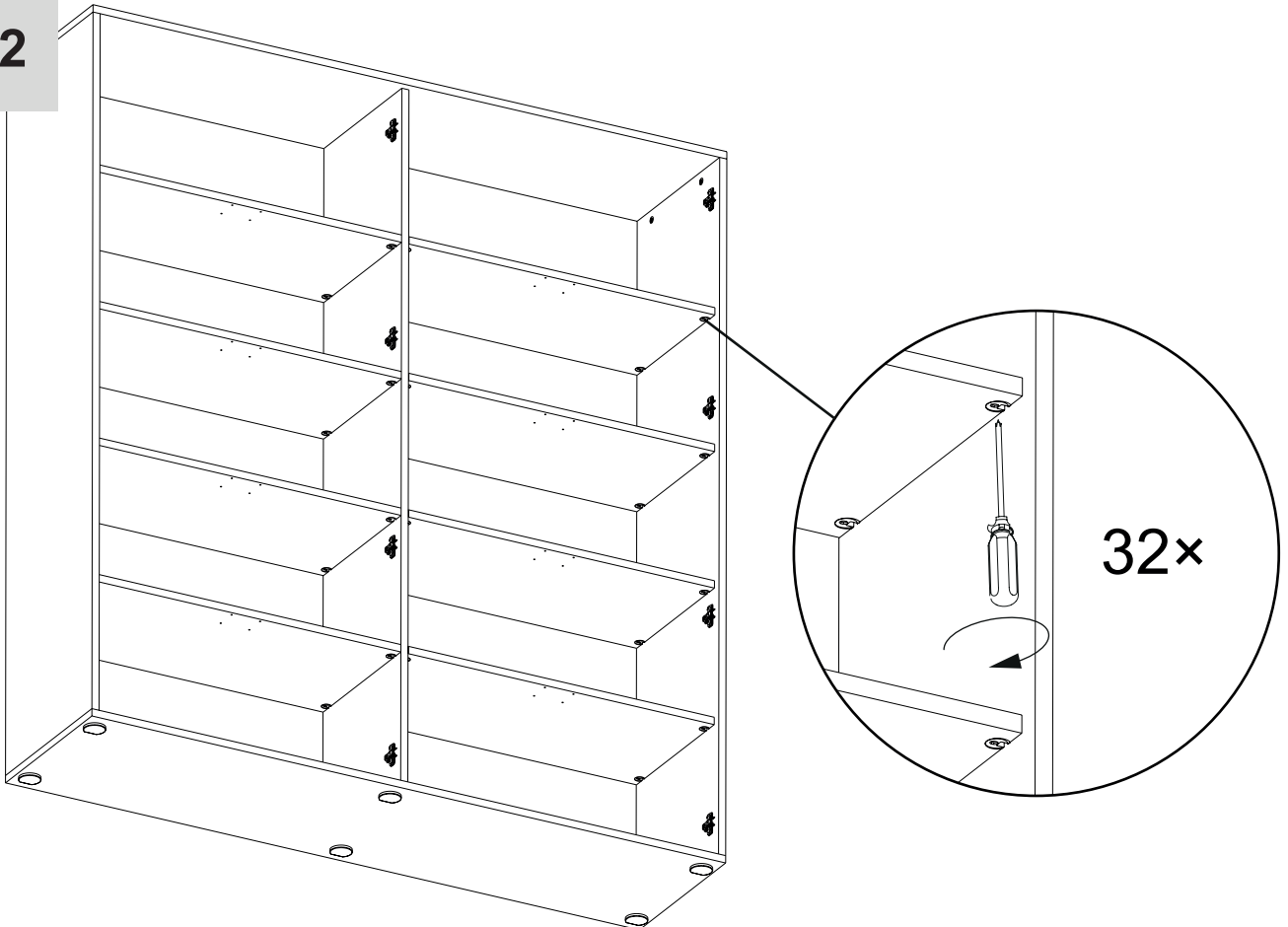
10



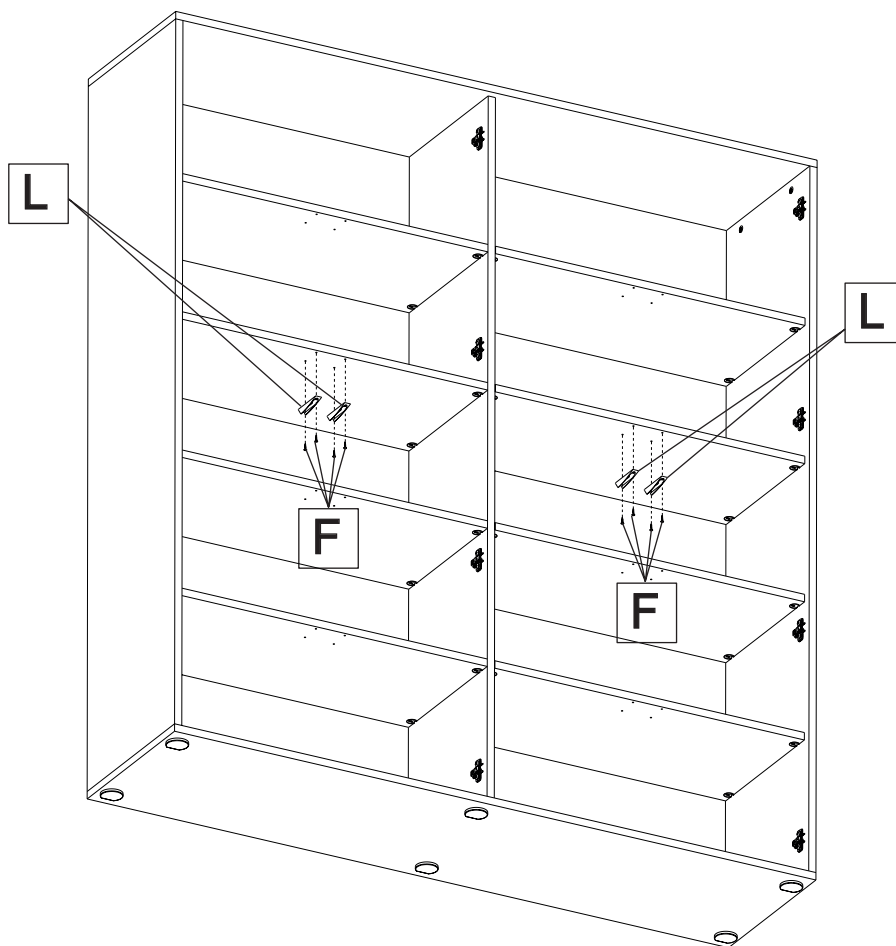
11

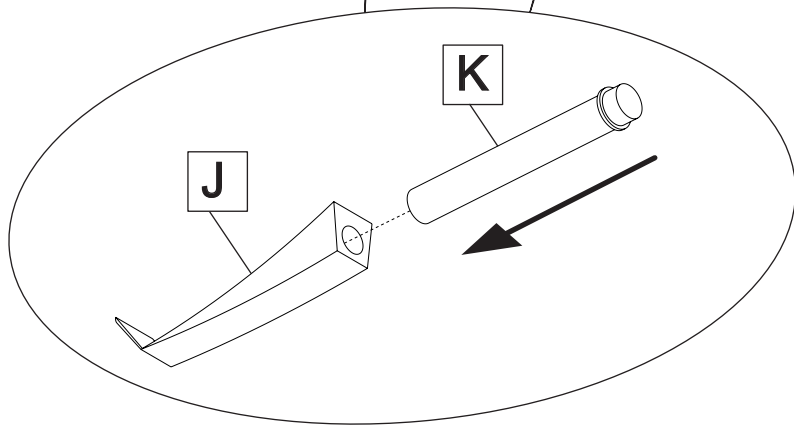
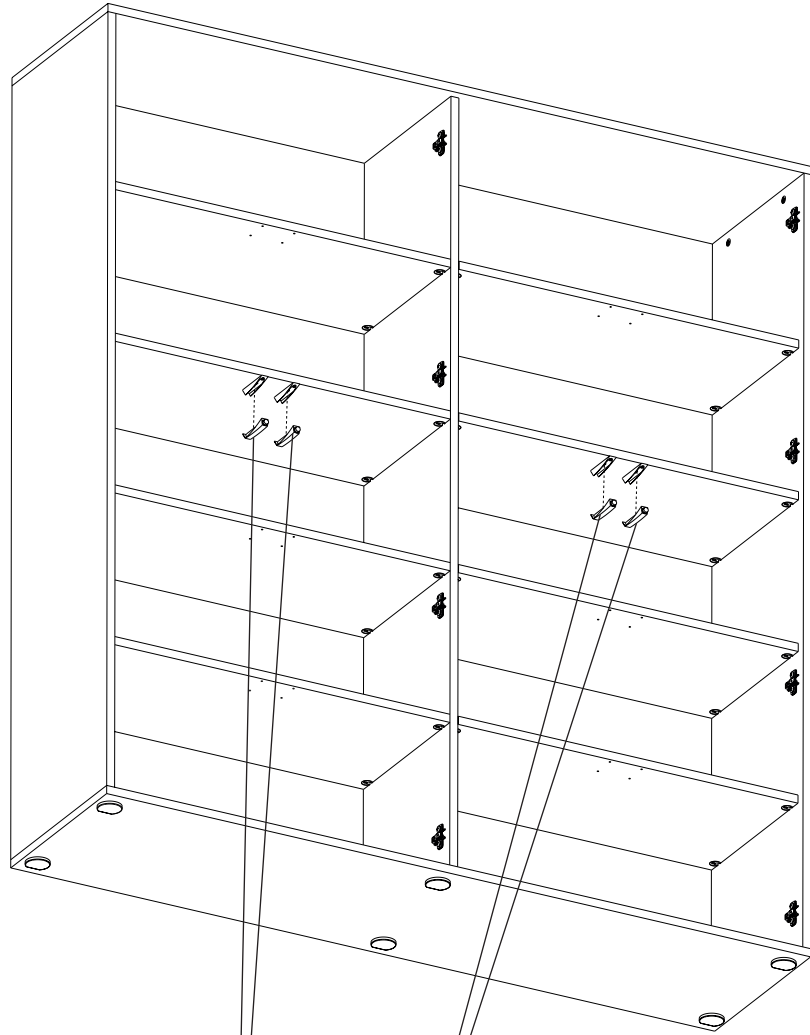


12

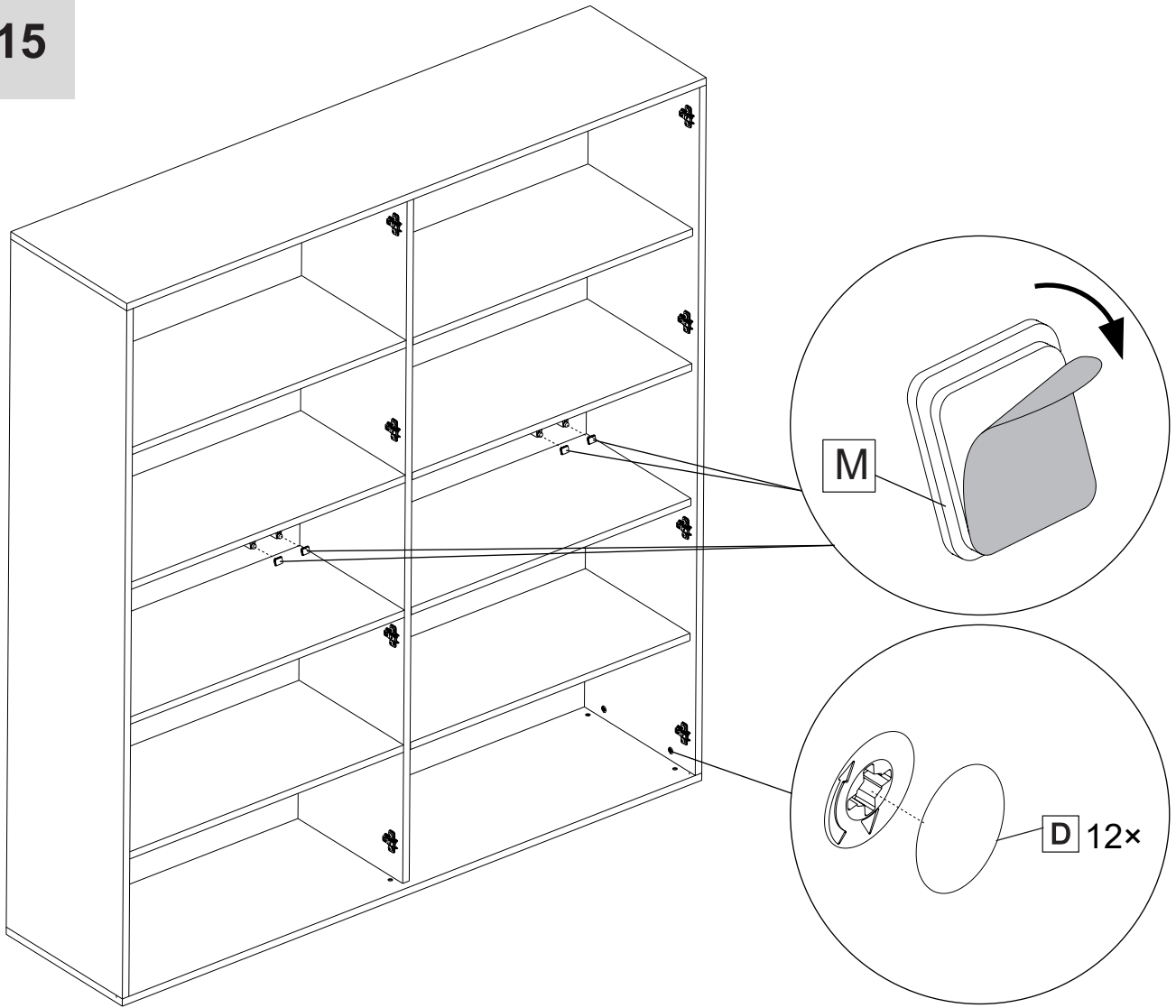


13

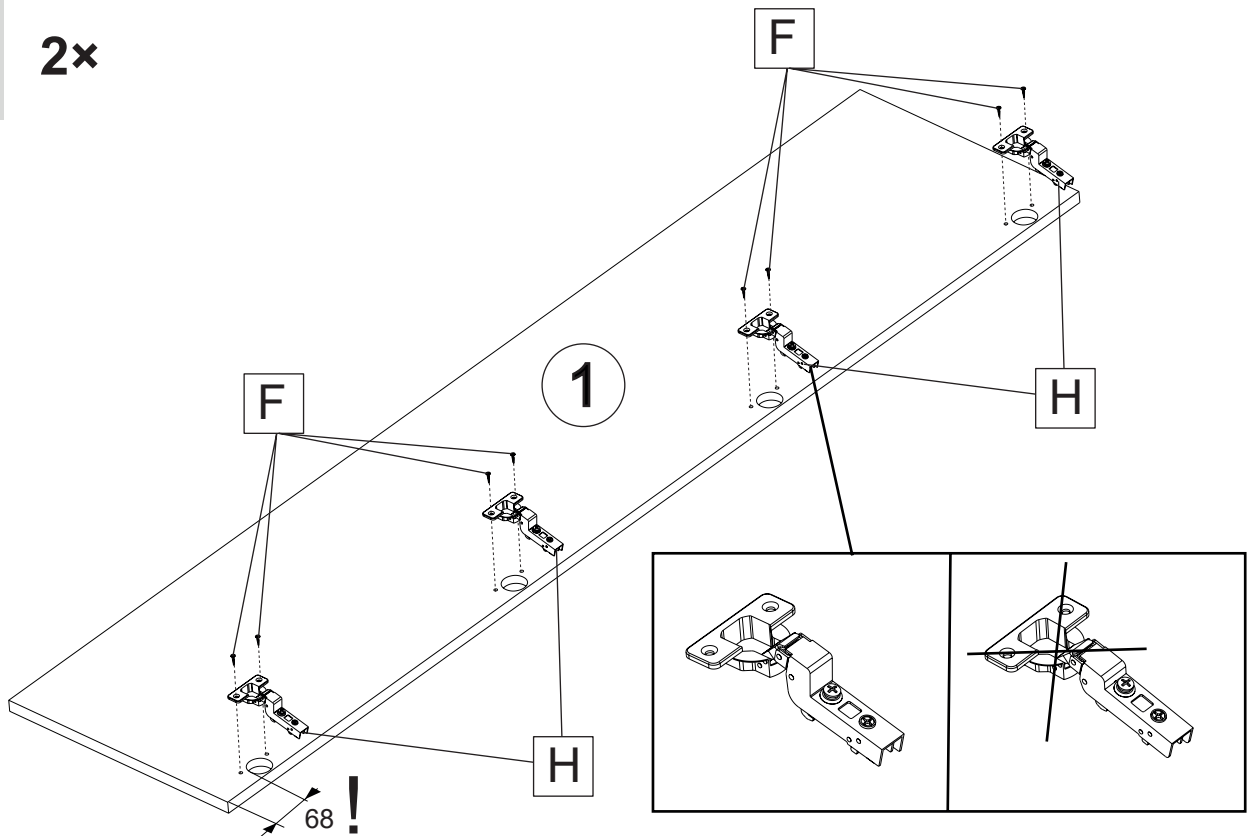


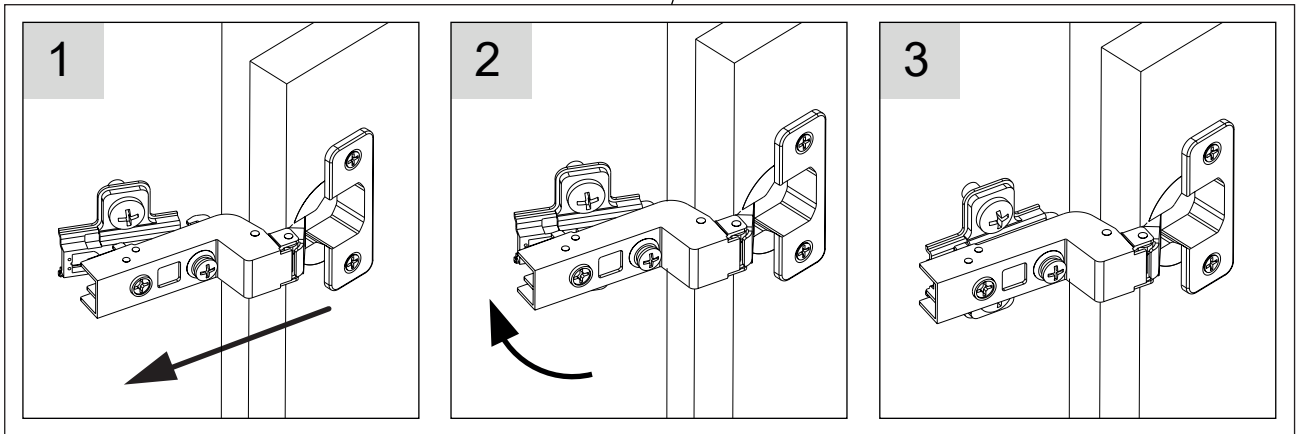
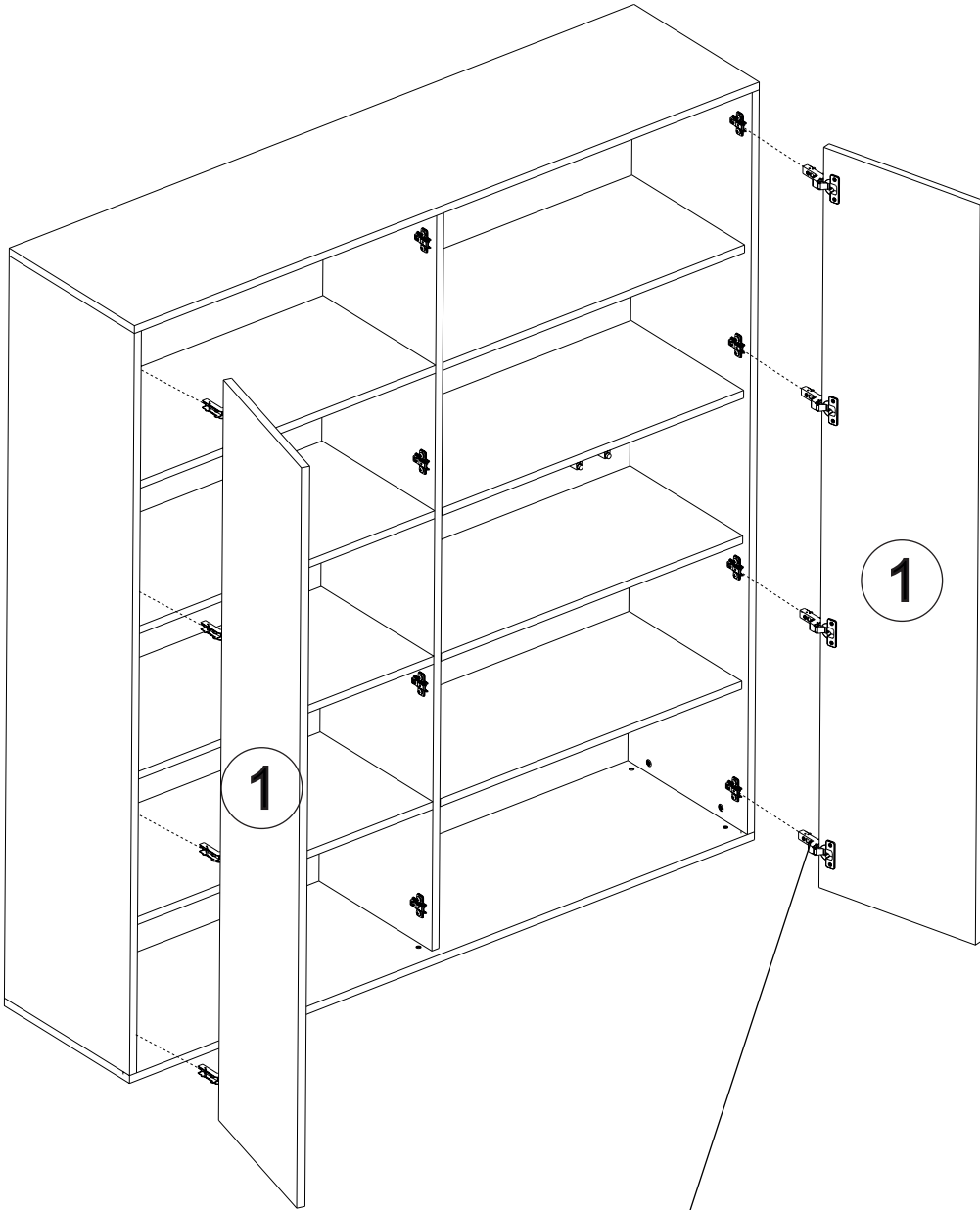


15

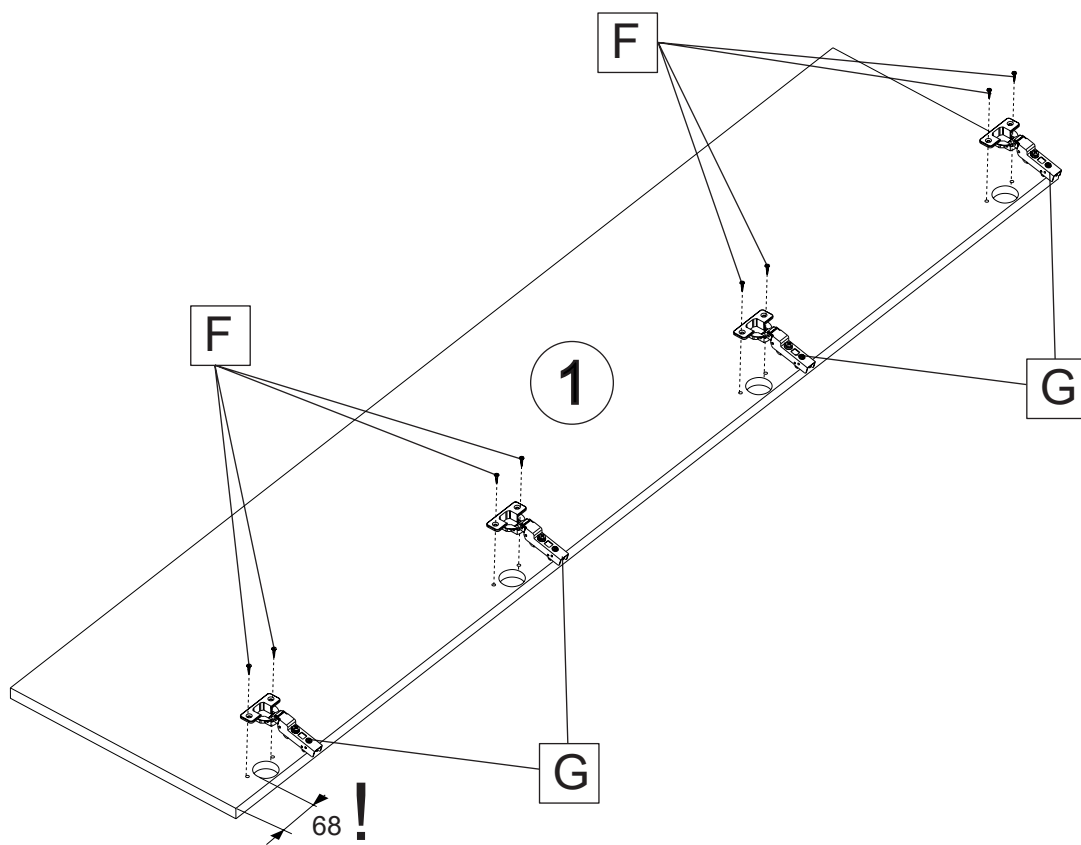


16 2x

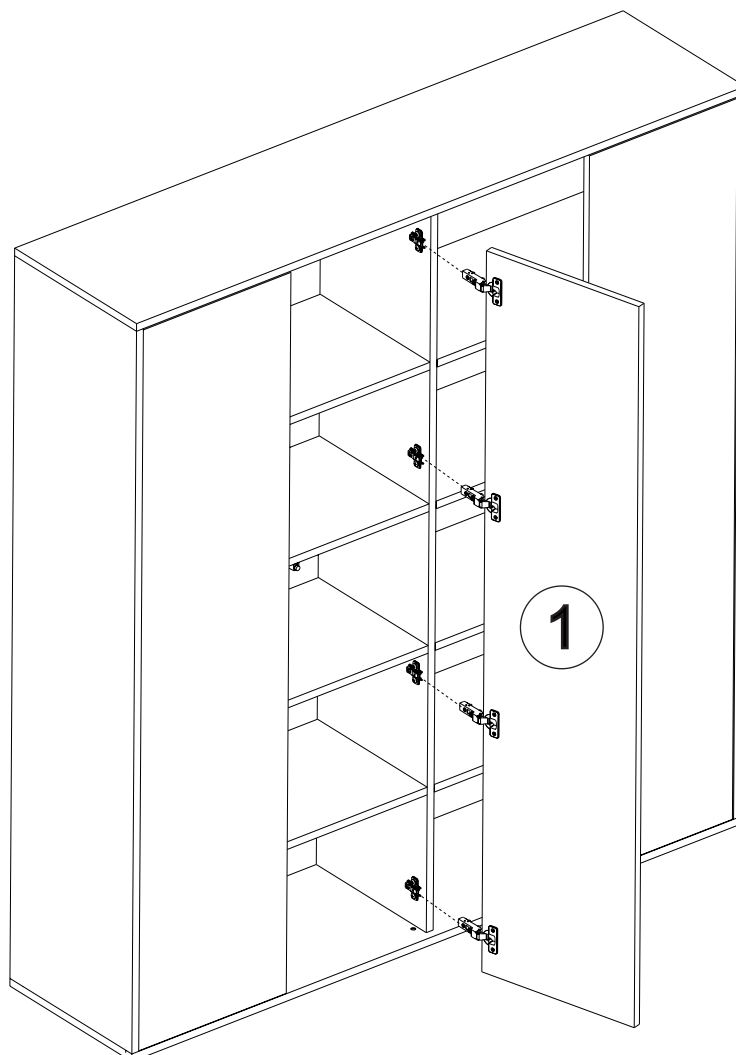




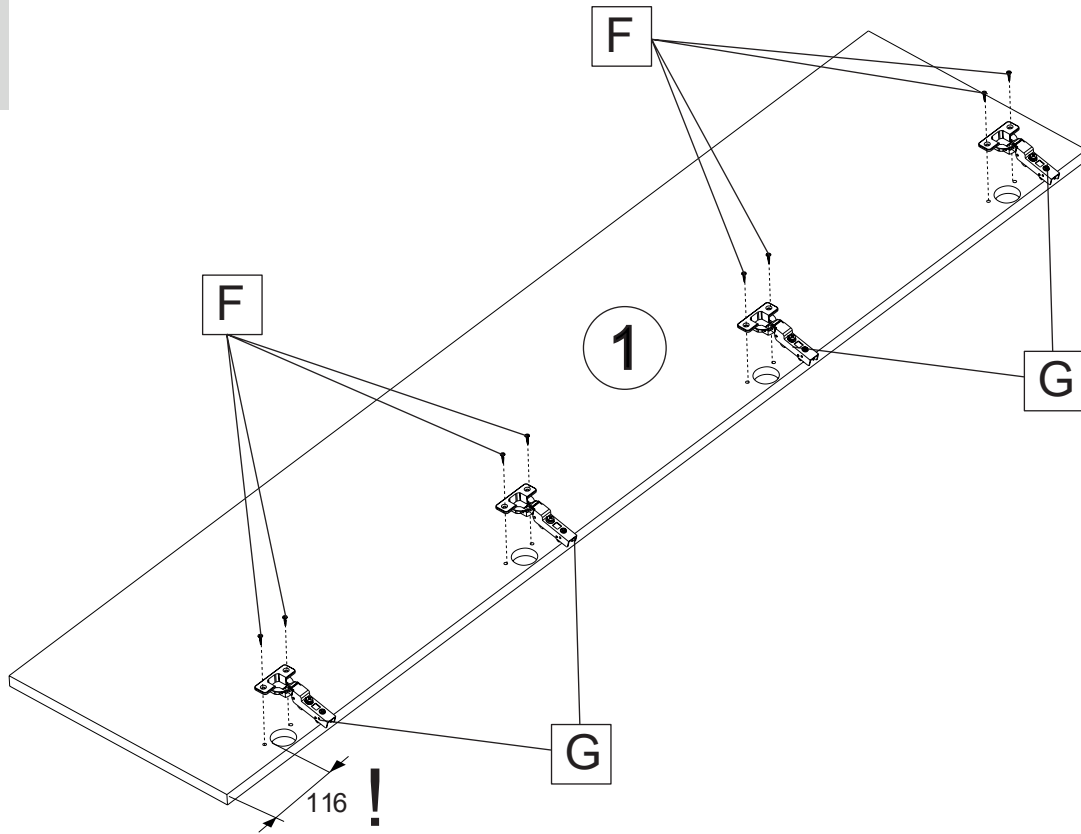
18



19



20



21

